



# Installation manual

## Pavilion WASHINGTON 2

Diameter Ø 337 cm



The producer shall have the right to make technical changes to the product • Technische Änderungen vorbehalten • Le producteur réserve le droit d'effectuer des modifications techniques au produit • Il produttore mantiene il diritto di apportare modifiche tecniche al prodotto • Reservado el derecho a modificaciones técnicas • Valmistaja pidättää oikeuden tehdä tuotteeseen teknisiä muutoksia • Tillverkaren har rätt att utföra tekniska förändringar för produkten

# 1 General information



Dear client,

We are glad that you have decided in favour of our garden house!

**Please read the assembly manual carefully before proceeding with the house installation!** You will thus avoid problems and will not waste time.

## Recommendations:

- Keep the house package until its complete assembly in a dry place, but not in direct contact with the ground, protected from weather conditions (moisture, the sun, etc.). Do not keep the house package in a heated room!
- When selecting the garden house location, make sure that the house will not be subjected to extreme weather conditions (areas of strong snowfall or winds); otherwise you should attach the house (for instance, with anchors) to the subsoil.



## Warranty

Your house is made from high quality fir and delivered in the natural (unprocessed) form. If, despite our thorough inspection, you should have complaints, please submit the filled out control sheet and purchase invoice to the product seller.

**ATTENTION: Please be sure to keep the documentation accompanying the house package! The control sheet includes the control number of the house. We can only review complaints if you submit the control number of the house to the seller!**

The warranty does not cover:

- Peculiarities of wood as a natural material
- Wooden details already painted (processed with a wood preservative)
- Wooden details containing whole branches that do not endanger the stability of the house
- Colour tone variations caused by wood structure differences that do not influence wood lifetime
- Wooden details containing (caused by drying) small cracks/gaps that do not pass through and do not influence the structure of the house
- Twisted wooden details if they can nevertheless be installed
- Roof and floor boards that may have on their concealed surfaces some non-planed areas, colour differences and waning
- Complaints resulting from an incompetent manner of the installation of the house or the house subsiding due to an incompetently made foundation
- Complaints caused by introducing self-initiative changes to the house, such as the deformation of wooden details and doors/windows due to an incompetent manner of wood processing; the attachment of storm braces too rigidly, doorframes being screwed onto wall logs, etc.

**The complaints covered by the warranty are satisfied to the extent of replacing the deficient/faulty material. All other demands will be excluded!**



## Garden house painting and maintenance

Wood is a natural material, growing and adapting depending on weather conditions. Large and small cracks, colour tone differences and changes, as well as a changing structure of wood are not errors, but a result of wood growing and a peculiarity of wood as a natural material.

Unprocessed wood (except for foundation joists) becomes greyish after having been left untouched for a while, and can be turn blue and become mouldy. To protect the wooden details of your garden house, you must immediately process them with a wood preservative.

We recommend that you cover the floor boards in advance with a colourless wood impregnation agent, especially the bottom sides of the boards, to which you will no longer have access when the house is assembled. Only this will prevent moisture penetration.

We definitely recommend that you also process the doors and windows with a wood impregnation agent, and do that namely both inside and outside! Otherwise the doors and windows can become twisted.

After the house assembly is completed, we recommend for the conclusive finishing a weather protection paint that will protect wood from moisture and UV radiation.

When painting, use high quality tools and paints, follow the paint application manual and manufacturer's safety and usage instructions. Never paint a surface in strong sunlight or rainy weather. Consult a specialist regarding paints suitable for unprocessed softwood and follow the paint manufacturer's instructions.

Having been properly painted, your garden house's lifetime will increase substantially. We recommend that you inspect the house thoroughly once every six months.

## 2 Preparation for assembly

### Tools and preparation of components

To assemble the garden house, you will need the following tools:



assembly aid



ladder



hammer



water-level



screwdriver



saw



knife



measuring tape



pliers



drill

**ADVICE:** To avoid splinters, we recommend that you wear the corresponding protective gloves during the assembly process.



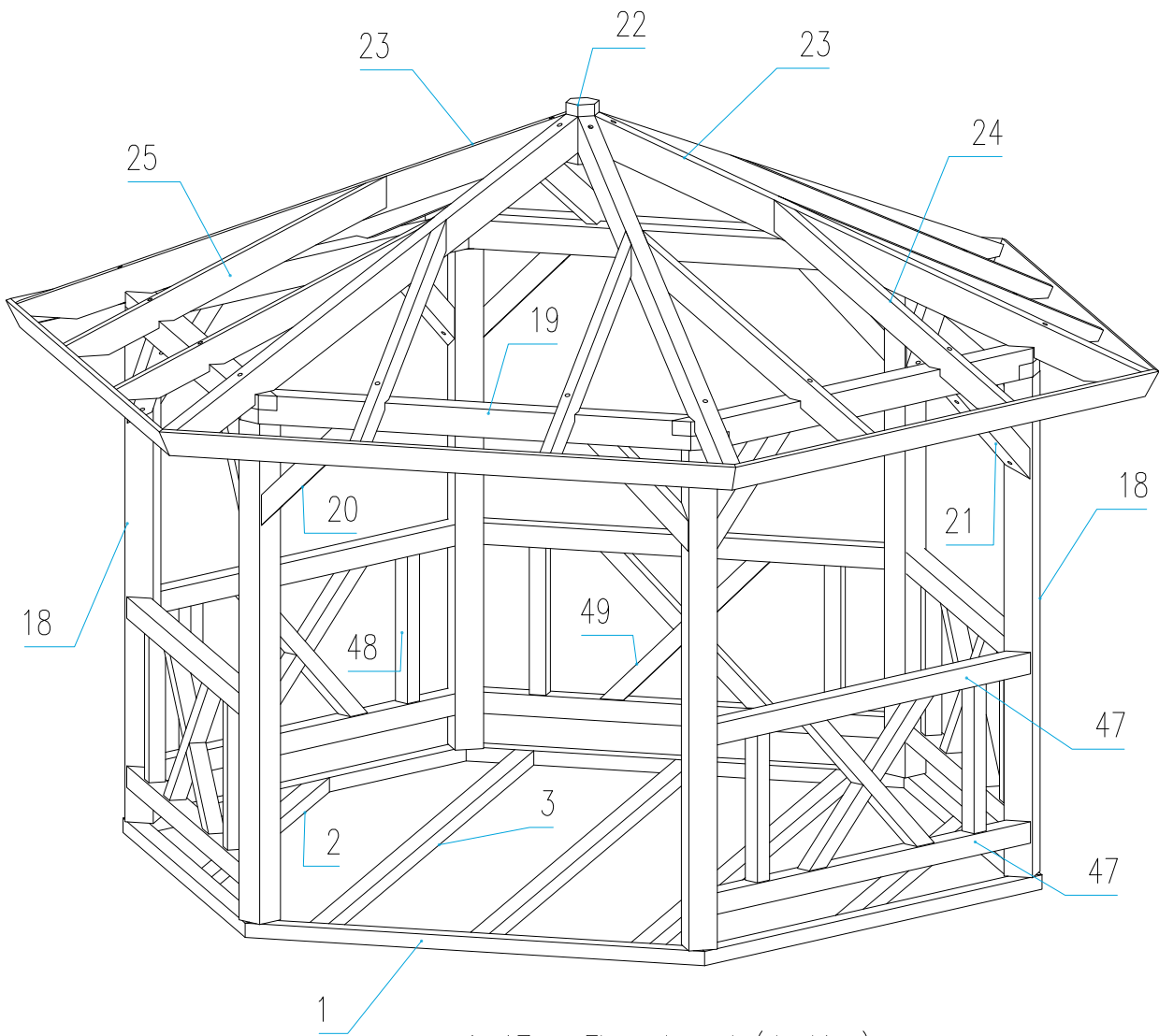
**We wish you total success with the garden house installation and much joy with this house for many years to come!**

# SPECIFICATION-STÜCKLISTE-NOMENCLATURE-ELEMENTI-ESPECIFICACIÓN

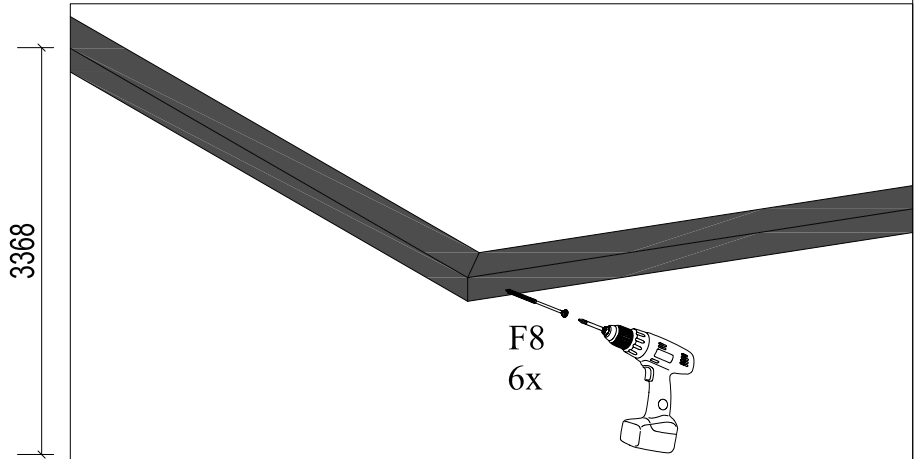
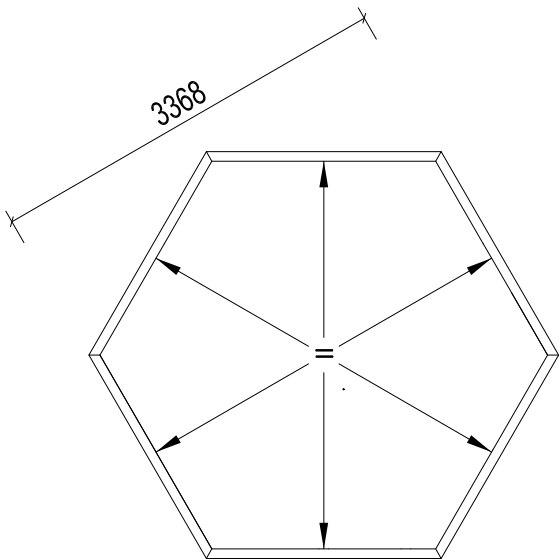
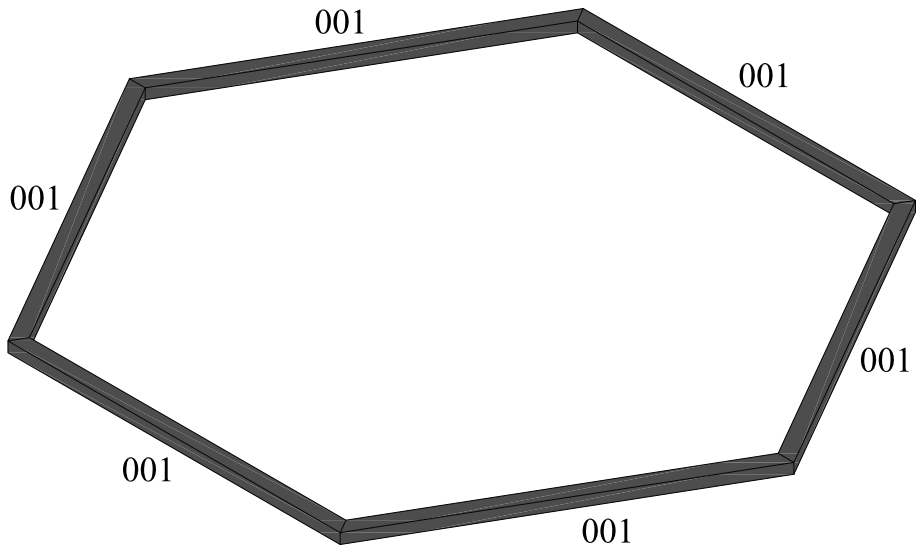
Pos No.	Height Höhe Hauteur Altura [mm]	Width Brette Largueur Anchura [mm]	Length Länge Langueur Longitud [mm]	Amount Menge Quantité Cantidad [pc]	Description-Bezeichnung-Description-Descrizione-Descripción	Information
018	120	120	2100	6	Post-Frosten-Poteau-Punto-Poste	
019	120	120	2089	6	Top frame-Sattelbalcken-Poutre-Trave-Marco superior	
020	90	090	602	6	Diagonal-Kopfband-Diagonal-Diagonal-Diagonal	
021	90	090	602	6	Diagonal-Kopfband-Diagonal-Diagonal-Diagonal	
022	140	121	250	1	Connection part-Verbindungselement-Raccord-Collegamento-Bloque superior	
023	140	070	2532	6	Rafter-Dachsparren-Chevron-Trave del tetto-Cabrio	
024	120	044	1501	6	Rafter-Dachsparren-Chevron-Trave del tetto-Cabrio	
025	120	044	1503	6	Rafter-Dachsparren-Chevron-Trave del tetto-Cabrio	
026	19	114	2412	6	Roof board-Dachbrett-Planche du toit-Tavola tetto-Tabla de tejado	
027	19	114	2293	6	Roof board-Dachbrett-Planche du toit-Tavola tetto-Tabla de tejado	
028	19	114	2173	6	Roof board-Dachbrett-Planche du toit-Tavola tetto-Tabla de tejado	
029	19	114	2054	6	Roof board-Dachbrett-Planche du toit-Tavola tetto-Tabla de tejado	
030	19	114	1935	6	Roof board-Dachbrett-Planche du toit-Tavola tetto-Tabla de tejado	
031	19	114	1815	6	Roof board-Dachbrett-Planche du toit-Tavola tetto-Tabla de tejado	
032	19	114	1696	6	Roof board-Dachbrett-Planche du toit-Tavola tetto-Tabla de tejado	
033	19	114	1577	6	Roof board-Dachbrett-Planche du toit-Tavola tetto-Tabla de tejado	
034	19	114	1458	6	Roof board-Dachbrett-Planche du toit-Tavola tetto-Tabla de tejado	
035	19	114	1338	6	Roof board-Dachbrett-Planche du toit-Tavola tetto-Tabla de tejado	
036	19	114	1219	6	Roof board-Dachbrett-Planche du toit-Tavola tetto-Tabla de tejado	
037	19	114	1100	6	Roof board-Dachbrett-Planche du toit-Tavola tetto-Tabla de tejado	
038	19	114	980	6	Roof board-Dachbrett-Planche du toit-Tavola tetto-Tabla de tejado	
039	19	114	861	6	Roof board-Dachbrett-Planche du toit-Tavola tetto-Tabla de tejado	
040	19	114	742	6	Roof board-Dachbrett-Planche du toit-Tavola tetto-Tabla de tejado	
041	19	114	622	6	Roof board-Dachbrett-Planche du toit-Tavola tetto-Tabla de tejado	
042	19	114	503	6	Roof board-Dachbrett-Planche du toit-Tavola tetto-Tabla de tejado	
043	19	114	384	6	Roof board-Dachbrett-Planche du toit-Tavola tetto-Tabla de tejado	
044	19	114	264	6	Roof board-Dachbrett-Planche du toit-Tavola tetto-Tabla de tejado	
045	19	114	145	6	Roof board-Dachbrett-Planche du toit-Tavola tetto-Tabla de tejado	
046	120	019	2440	6	Eave edging-Stimbrett-Latte de bordure-Schemmo frontone-Tabla de borde de alero	
047	90	090	1808	10	Railing-Geländer-Barre terrasse-Barra terraza-Barandilla	

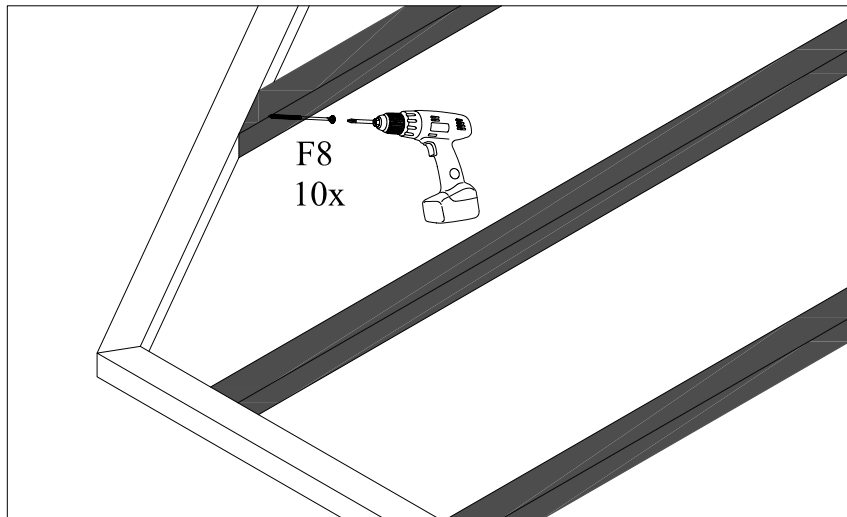
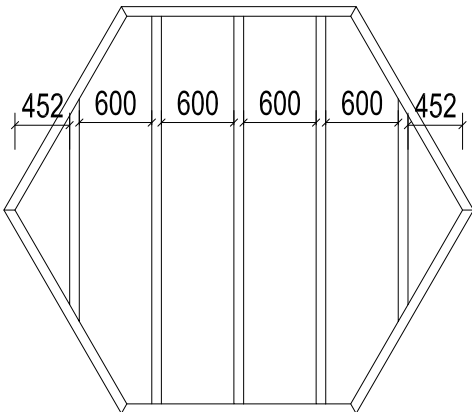
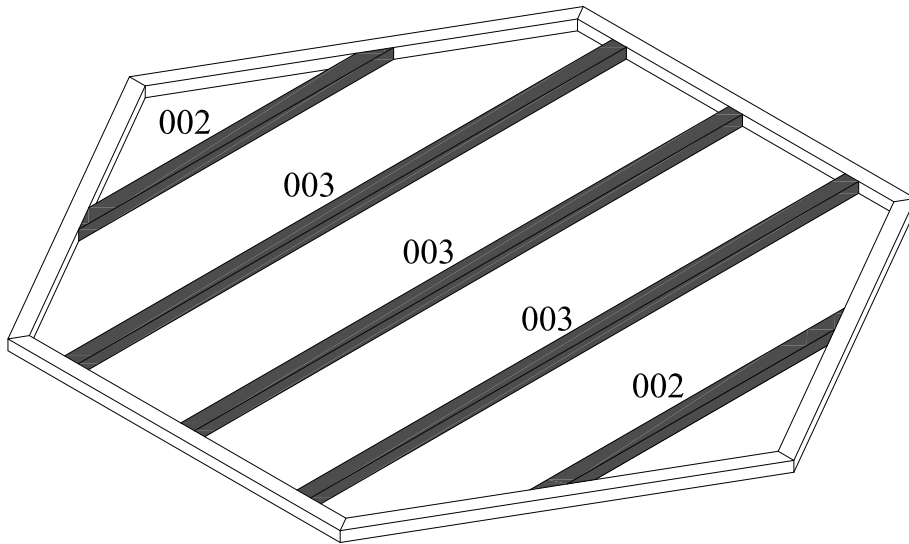
# SPECIFICATION-STÜCKLISTE-NOMENCLATURE-ELEMENTI-ESPECIFICACIÓN

Pos No.	Height Höhe Hauteur Altura [mm]	Width Breite Largeur Anchura [mm]	Length Länge Langueur Longitud [mm]	Amount Menge Quantité Cantidad [pc]	Description-Bezeichnung-Description-Descrizione-Descripción	Information
048	70	070	660	10	Railing-Geleänder-Barre terrasse-Barra terraza-Barandilla	
049	70	070	947	10	Railing-Geleänder-Barre terrasse-Barra terraza-Barandilla	
050	Ø35		240	6	Dowel-Dübel-Tassello-Chevillle-Palo redondo	
F1	Ø8x160			24	Hexagon head screw-Sechskantschraube-Vis-Vite-Tornillo (cabeza hexagóno)	For-Für-Pour-Per-Para Pos. 023-024
F2	Ø8x120			24	Hexagon head screw-Sechskantschraube-Vis-Vite-Tornillo (cabeza hexagóno)	For-Für-Pour-Per-Para Pos. 020-021
F3	Ø8x80			6	Hexagon head screw-Sechskantschraube-Vis-Vite-Tornillo (cabeza hexagóno)	For-Für-Pour-Per-Para Pos. F6
F4	Ø8x50			36	Hexagon head screw-Sechskantschraube-Vis-Vite-Tornillo (cabeza hexagóno)	For-Für-Pour-Per-Para Pos. F7
F5	Ø8x20			48	Washer-Dichtschreiber-Rondelle-Rondella-Arandela	For-Für-Pour-Per-Para Pos. F1-F2
F6	120x120x60			6	U-shoe-Stützenschuh-équerre-Bracci supporto trave-Detalle de forma U	For-Für-Pour-Per-Para Pos. 018
F7	20x20x40			20	L-iron-Winkel-Equerre-Angolo-Ángulo	For-Für-Pour-Per-Para Pos. 047-049
F8	6x120			12	Screw-Schraube-Vis-Vite-Tornillo	For-Für-Pour-Per-Para Pos. 001-003; 019
F9	4.5x70			24	Screw-Schraube-Vis-Vite-Tornillo	For-Für-Pour-Per-Para Pos. 024-025
F10	4.5x50			24	Screw-Schraube-Vis-Vite-Tornillo	For-Für-Pour-Per-Para Pos. 046
F11	3.5x35			90	Screw-Schraube-Vis-Vite-Tornillo	For-Für-Pour-Per-Para Pos. F7, F14
F12	2.5x50			700	Nail-Nagel-Clou-Chiodo-Clavo	For-Für-Pour-Per-Para Pos. 026-045
F14	6-side			1	Roof cap-Dachkappe-Finition métallique-Finitura di tetto-Cabalette de tejado	
F15	Ø20			24	Hole plug-Abdeckkappe-Cache-vis-Tappi in legno-Embellecedor	

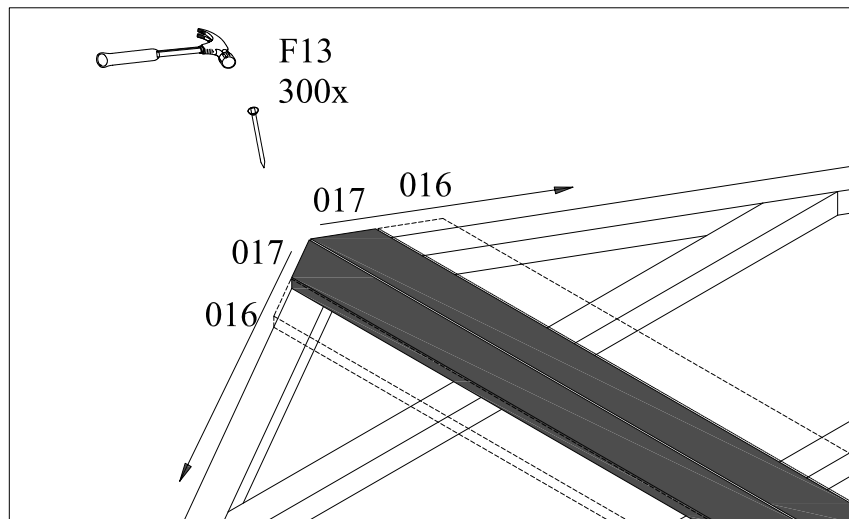
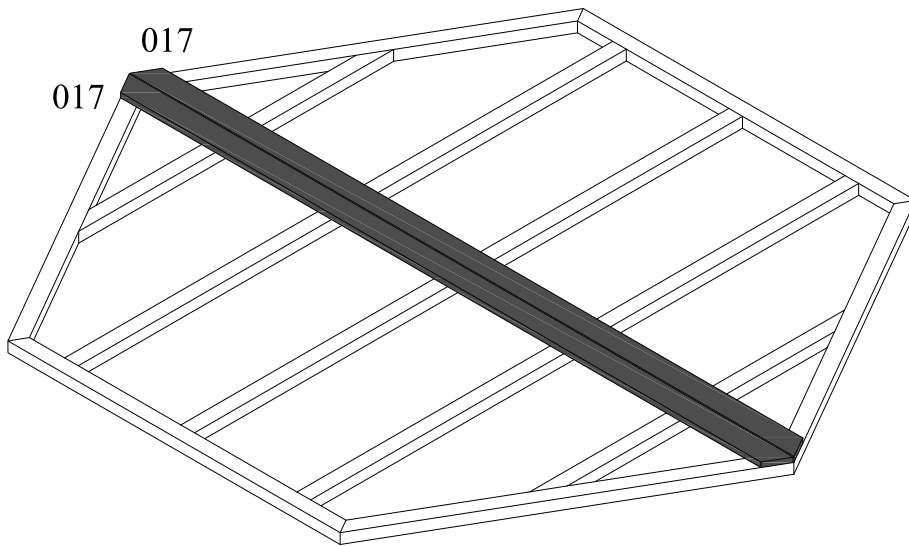


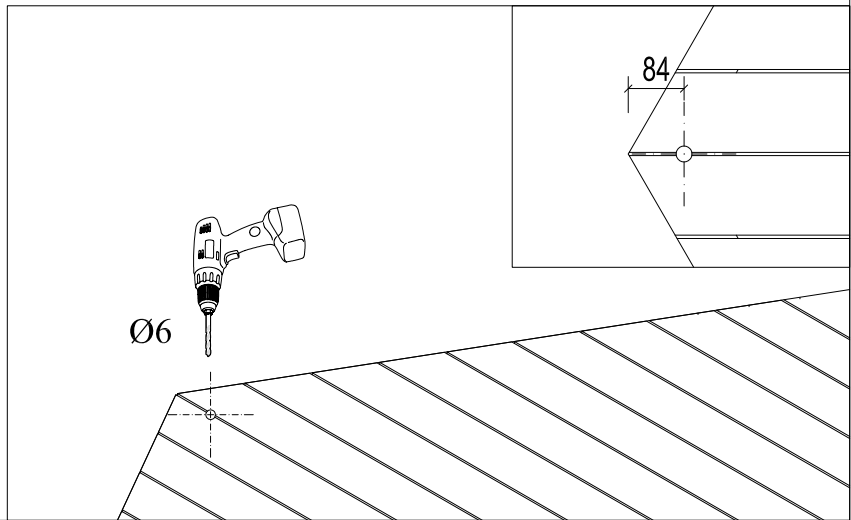
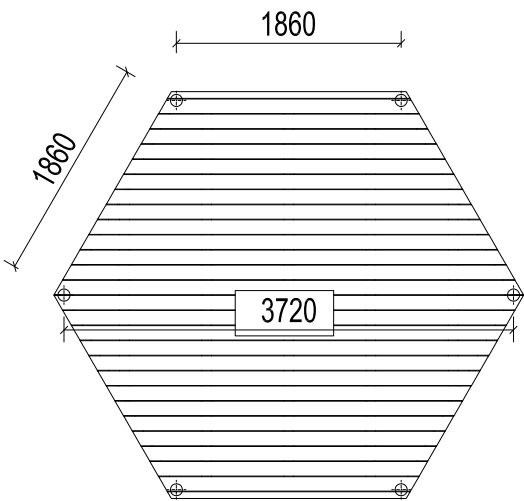
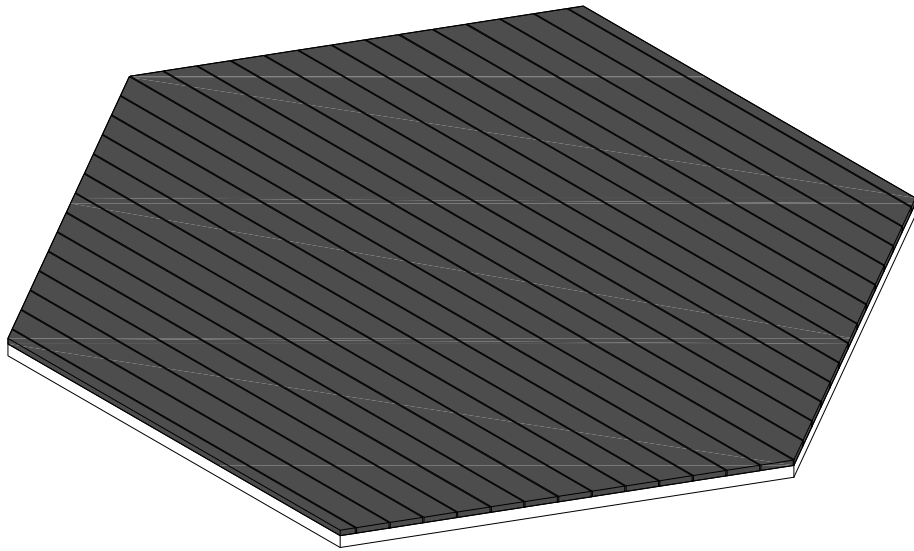
4-17 Floor board (decking)  
 26-46 Roof board

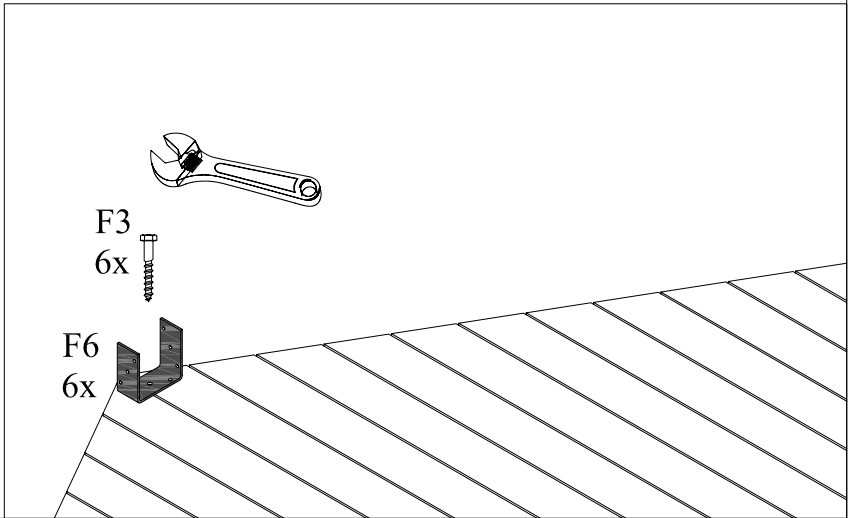
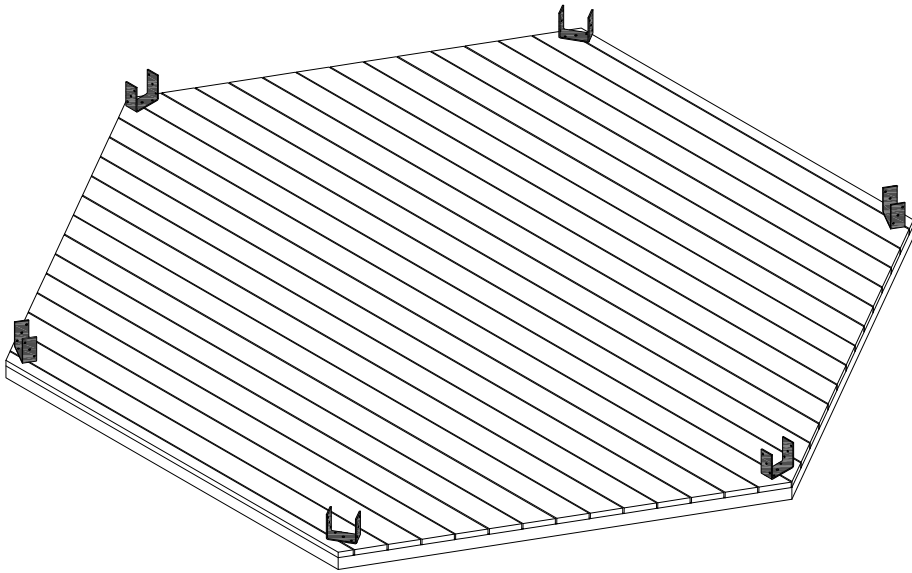


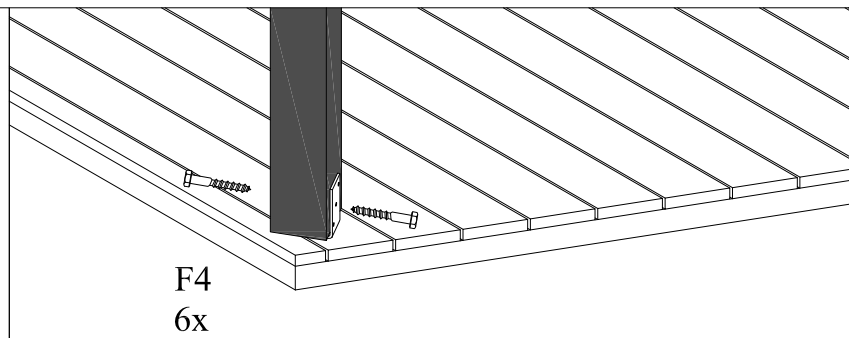
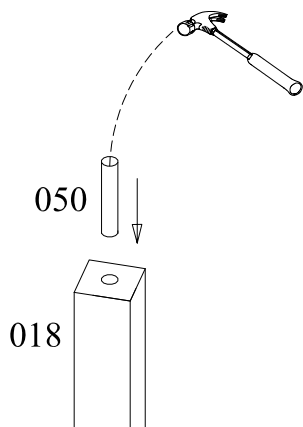
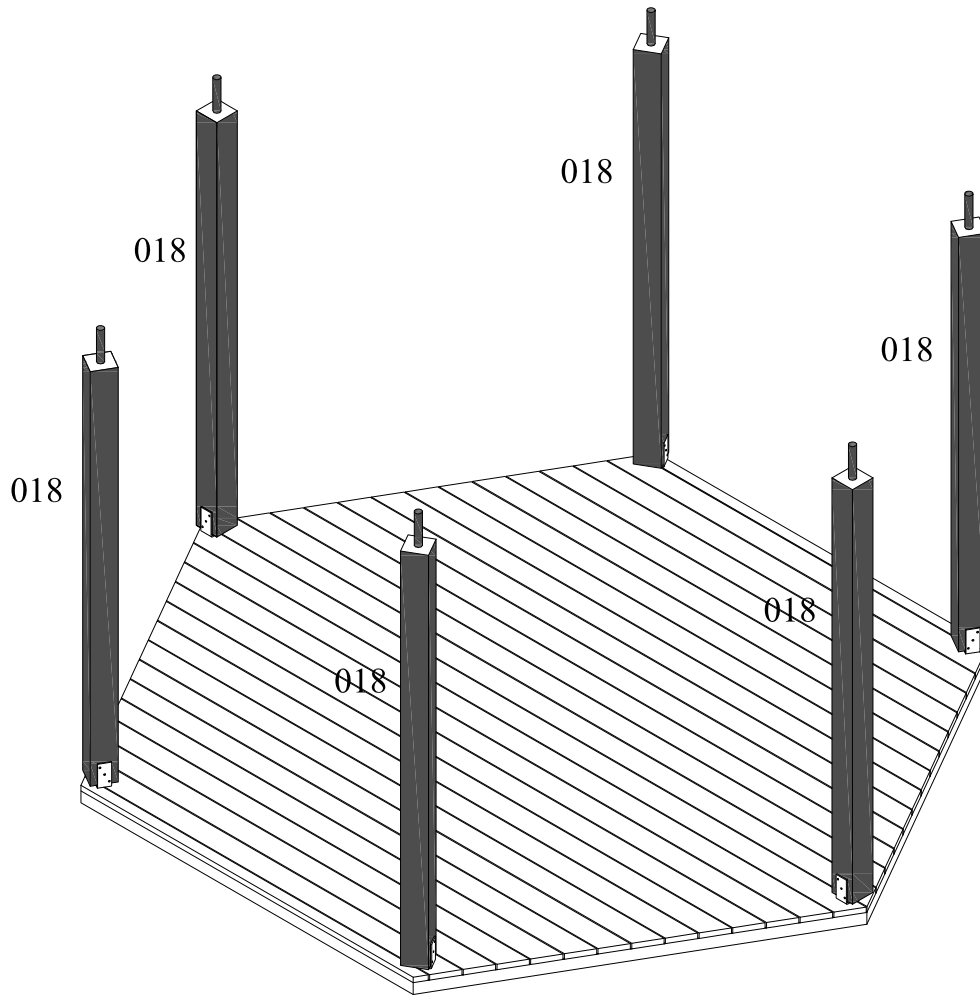


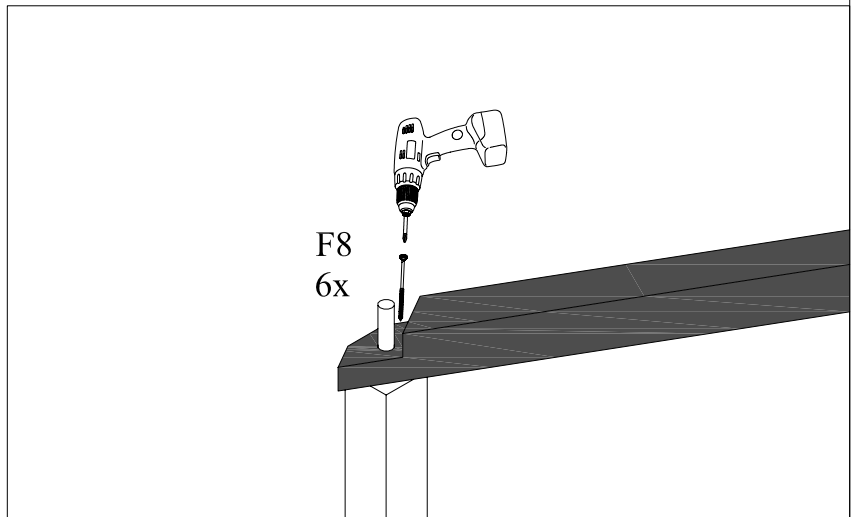
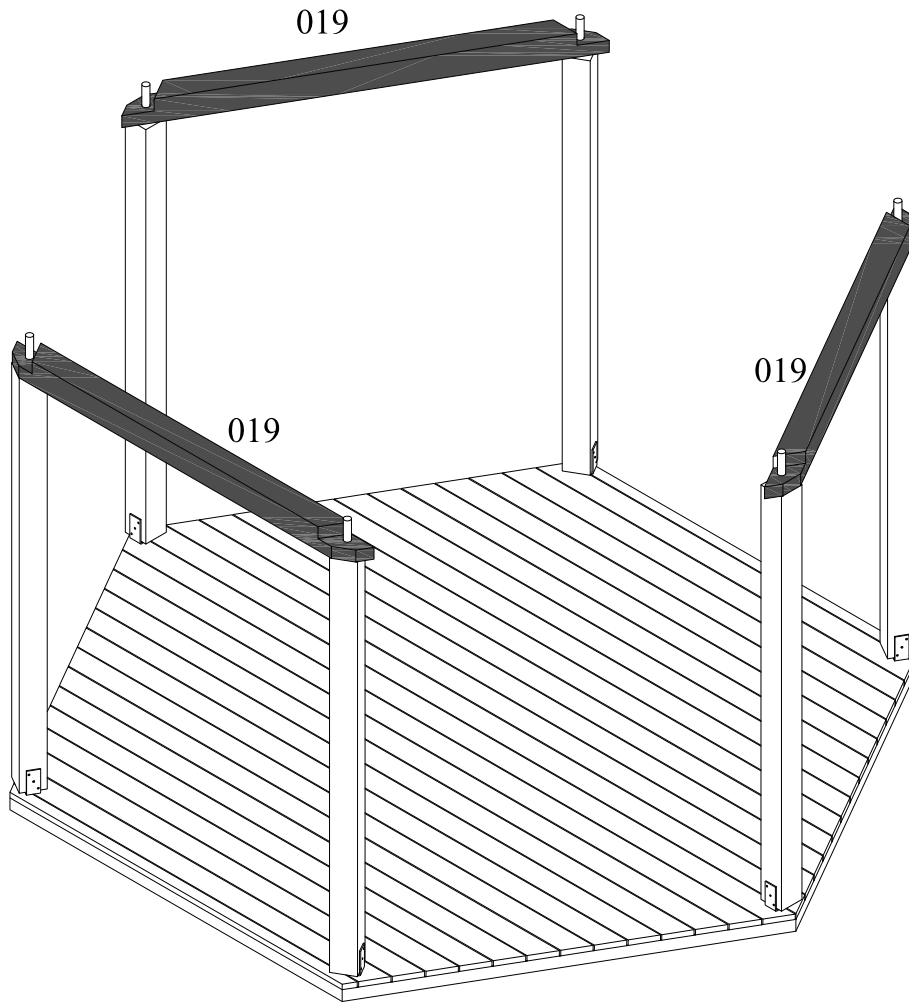


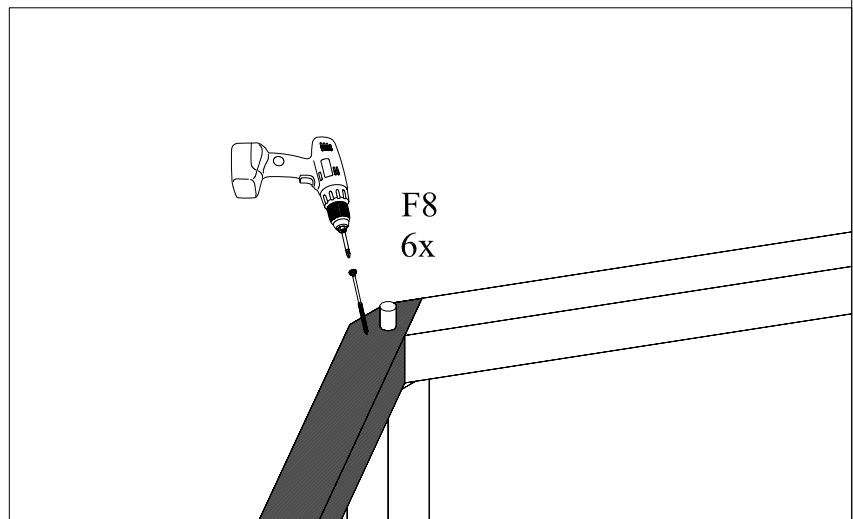
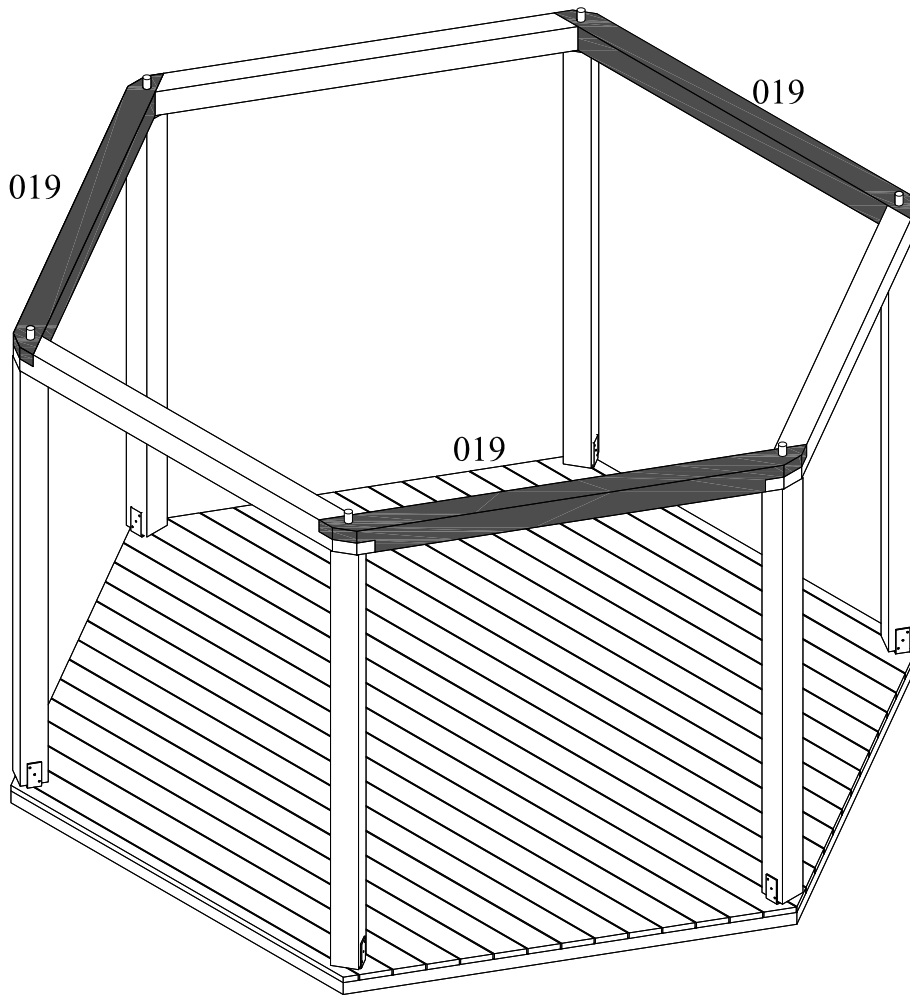


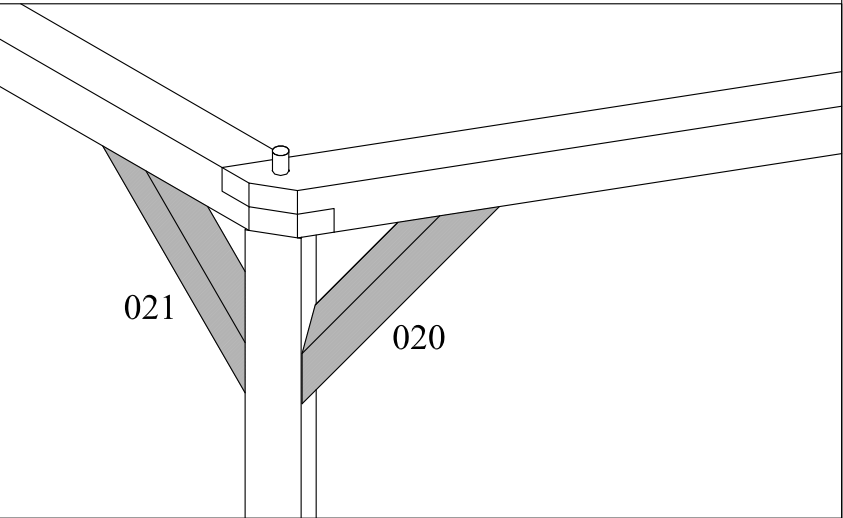
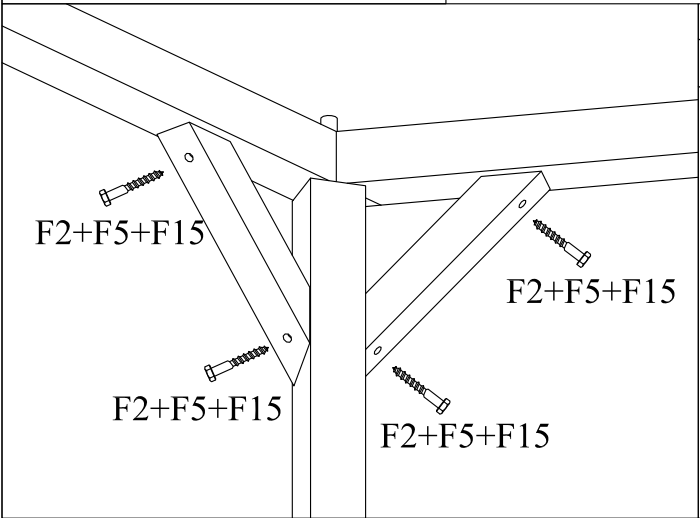
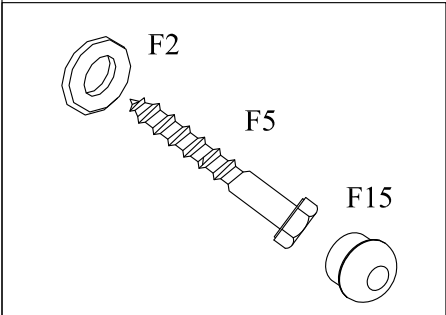
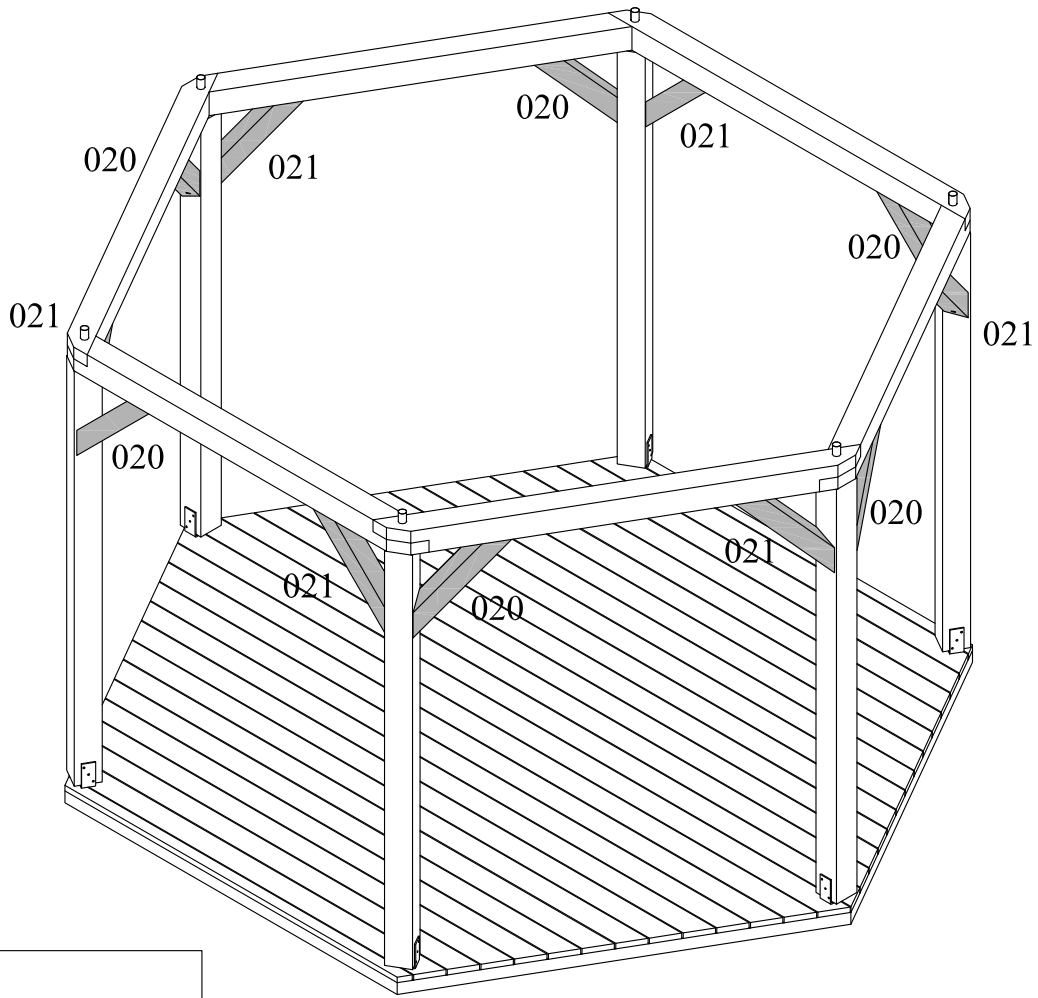


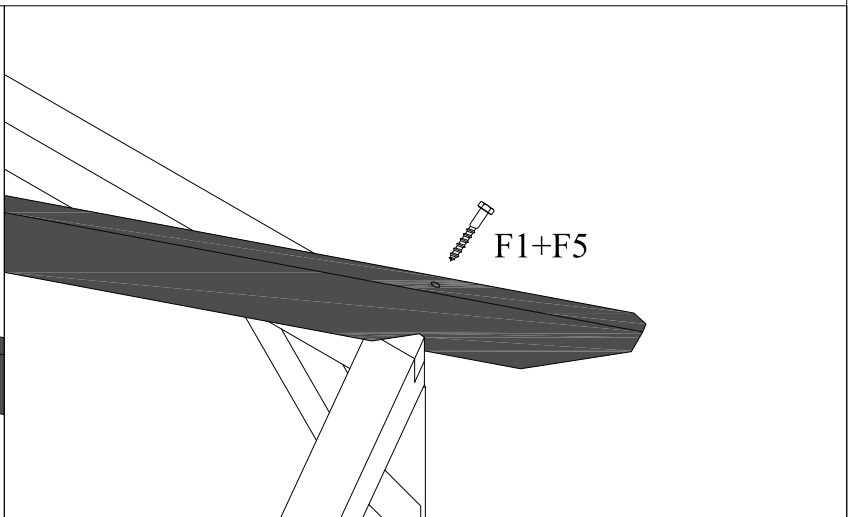
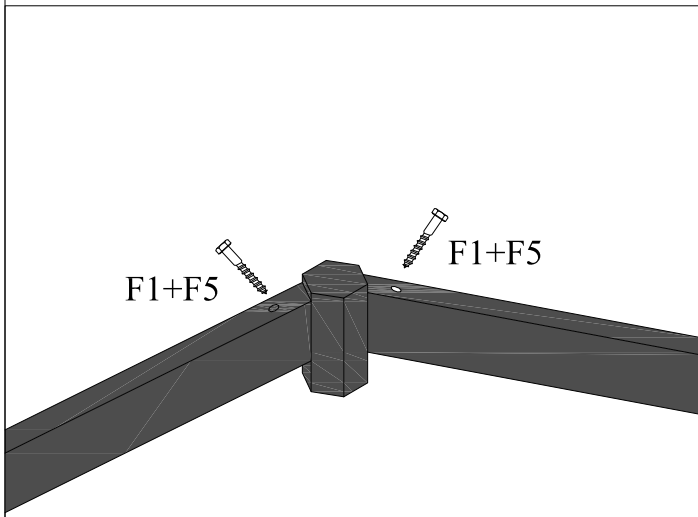
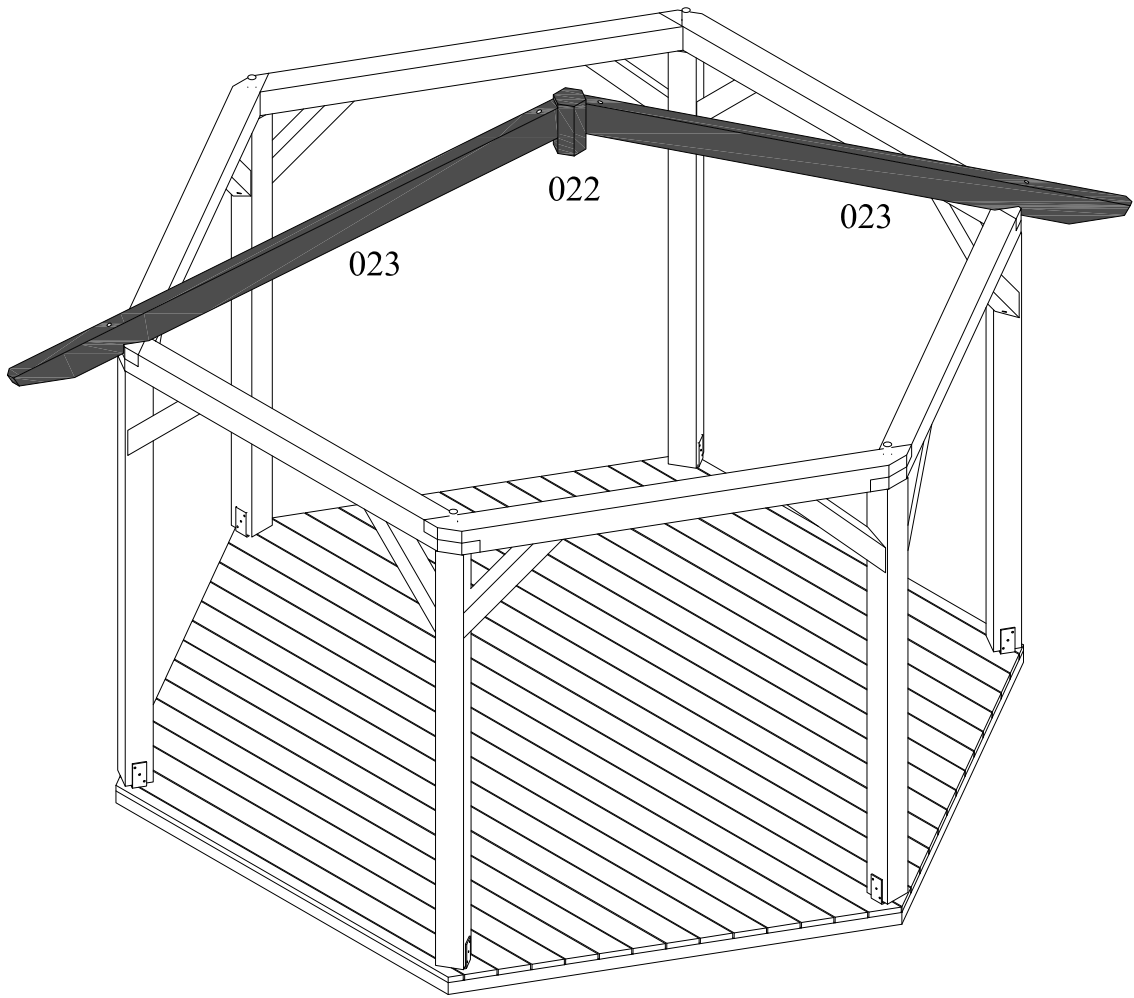




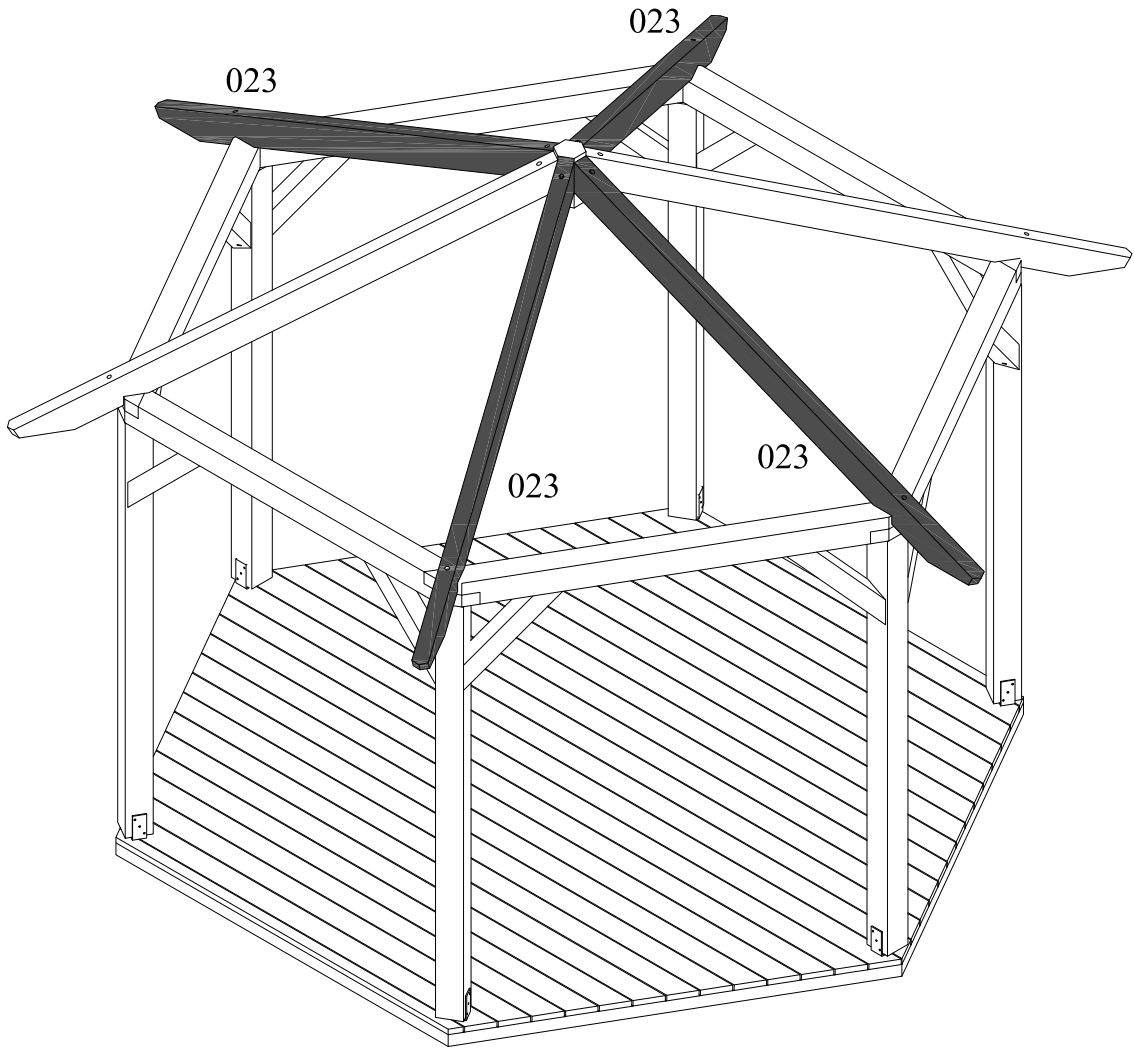


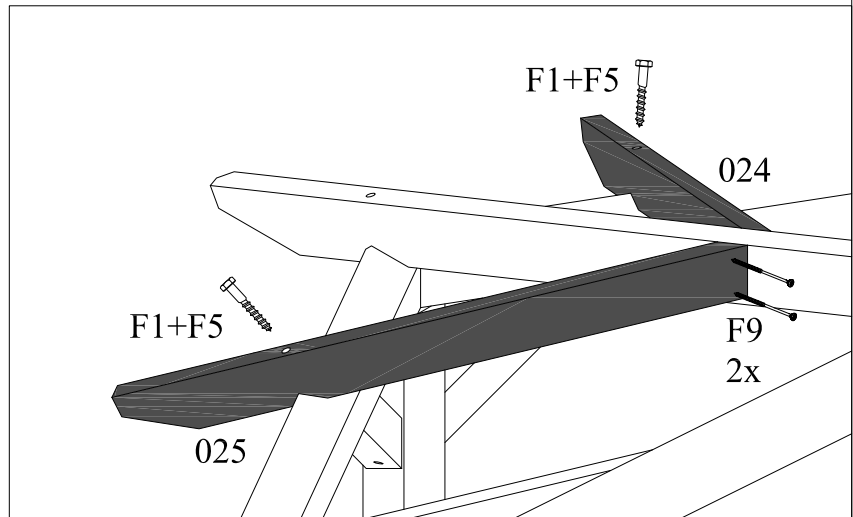
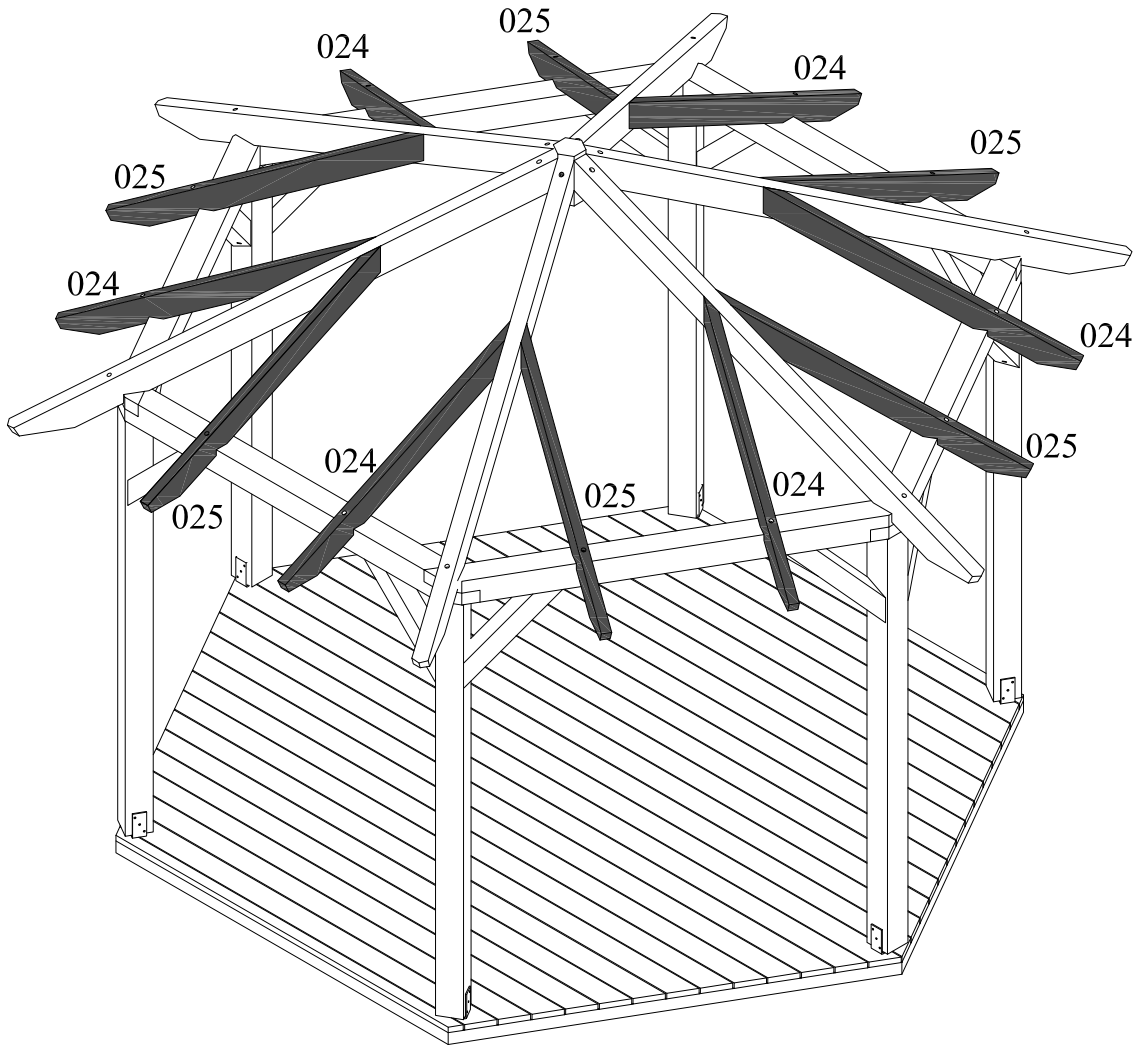


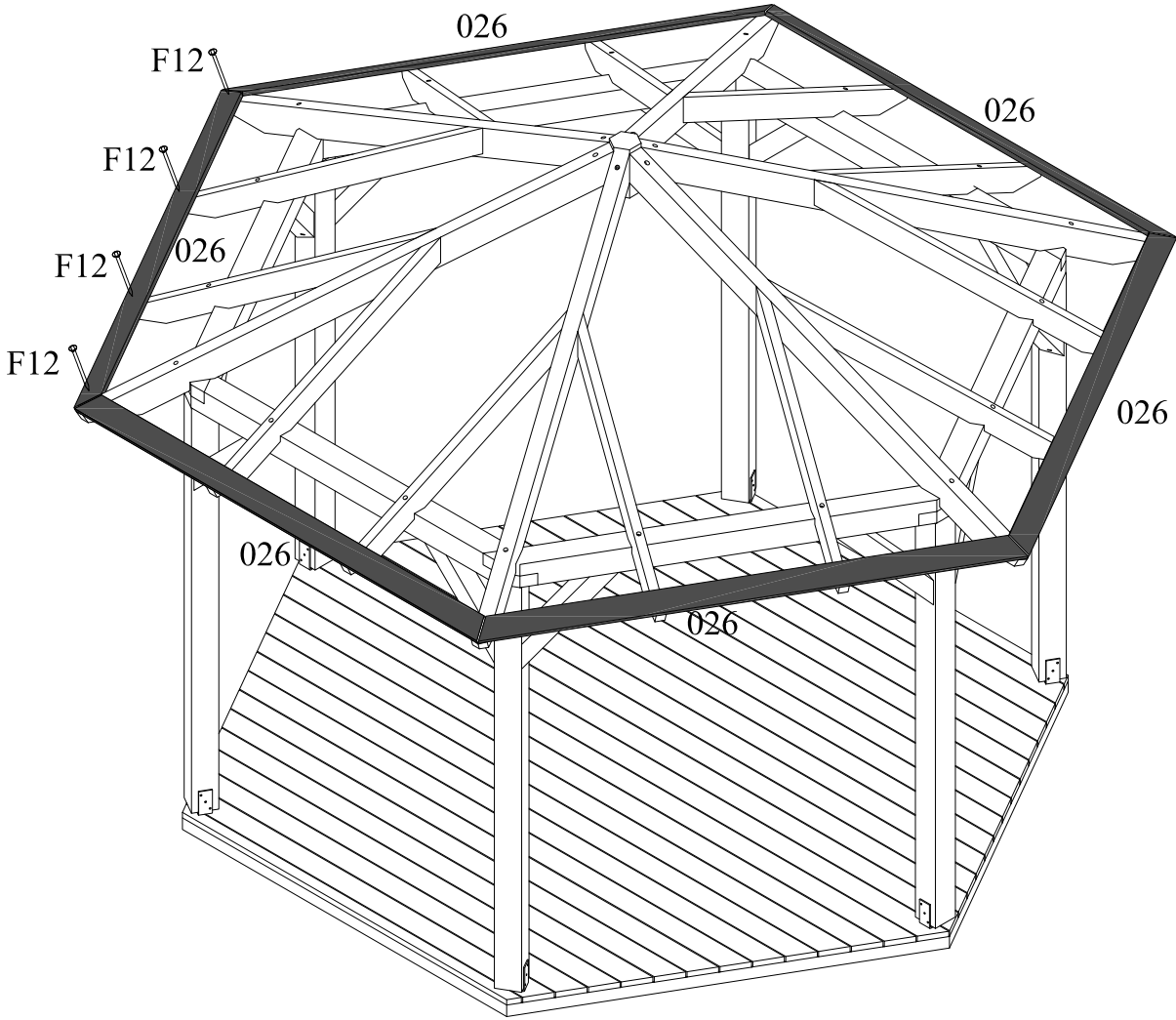






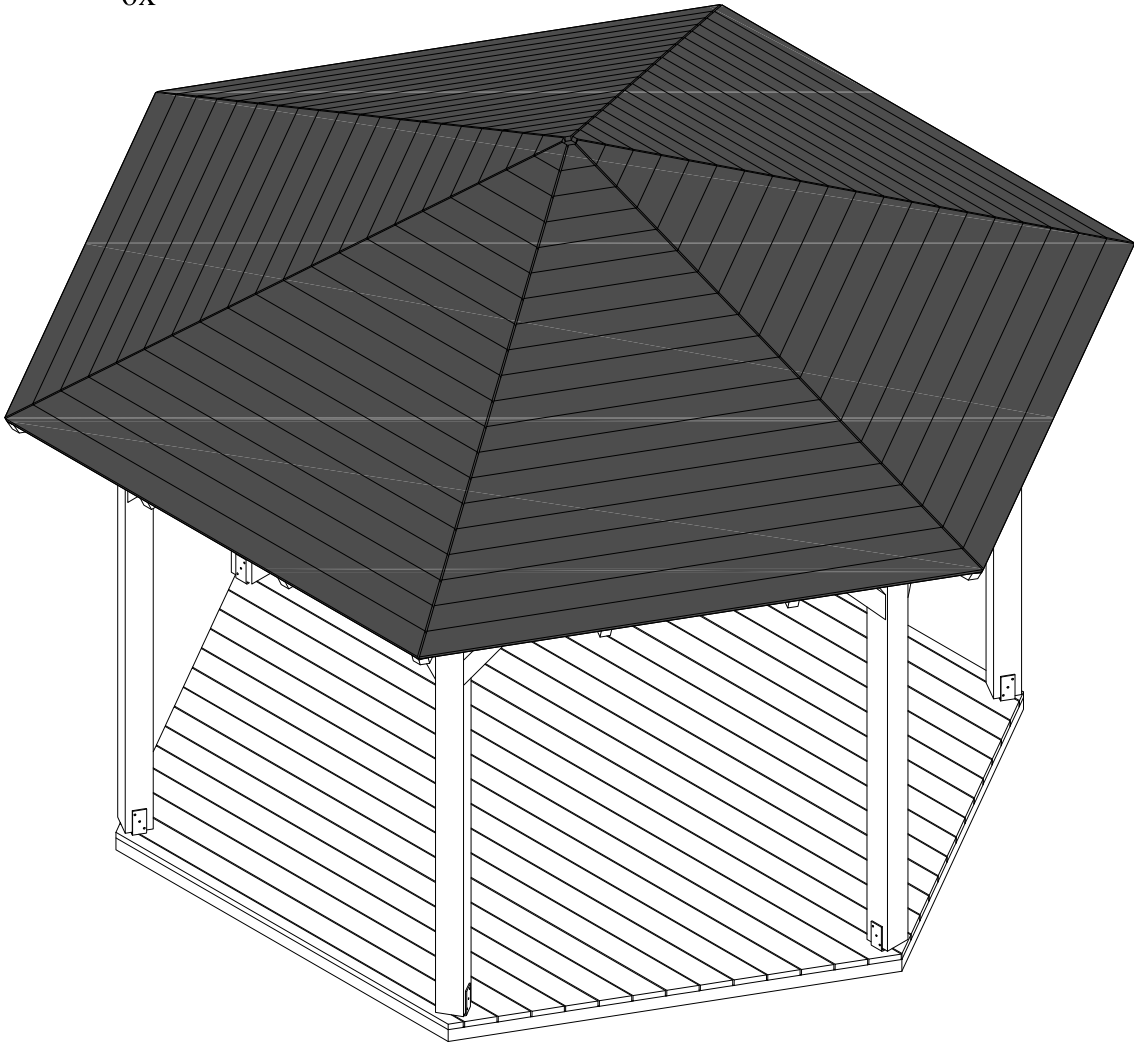


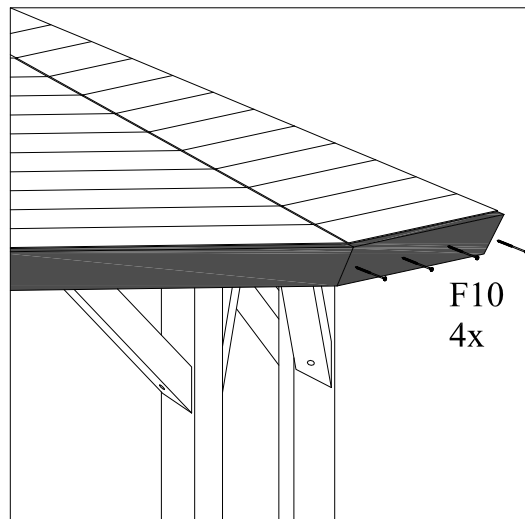
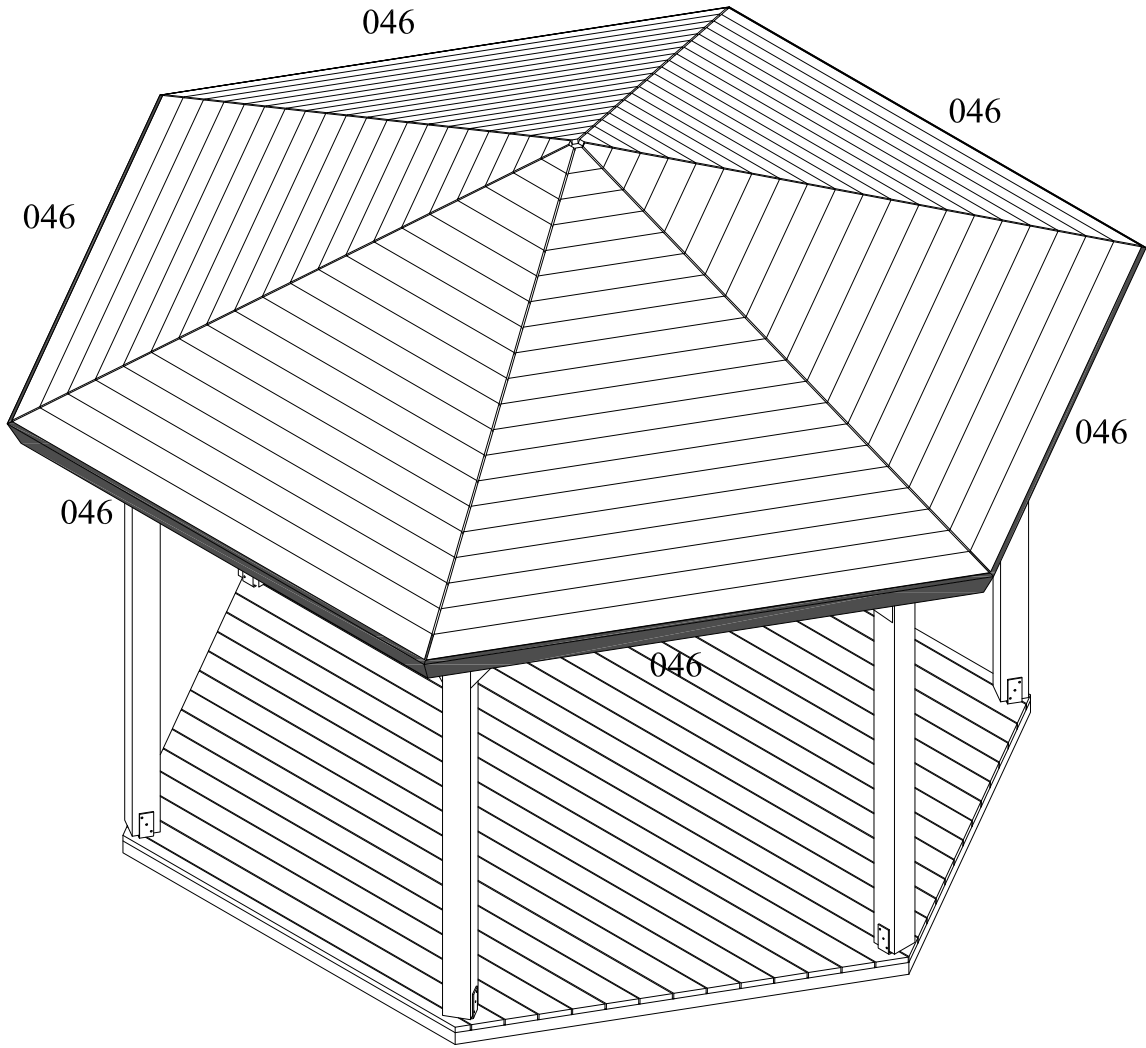


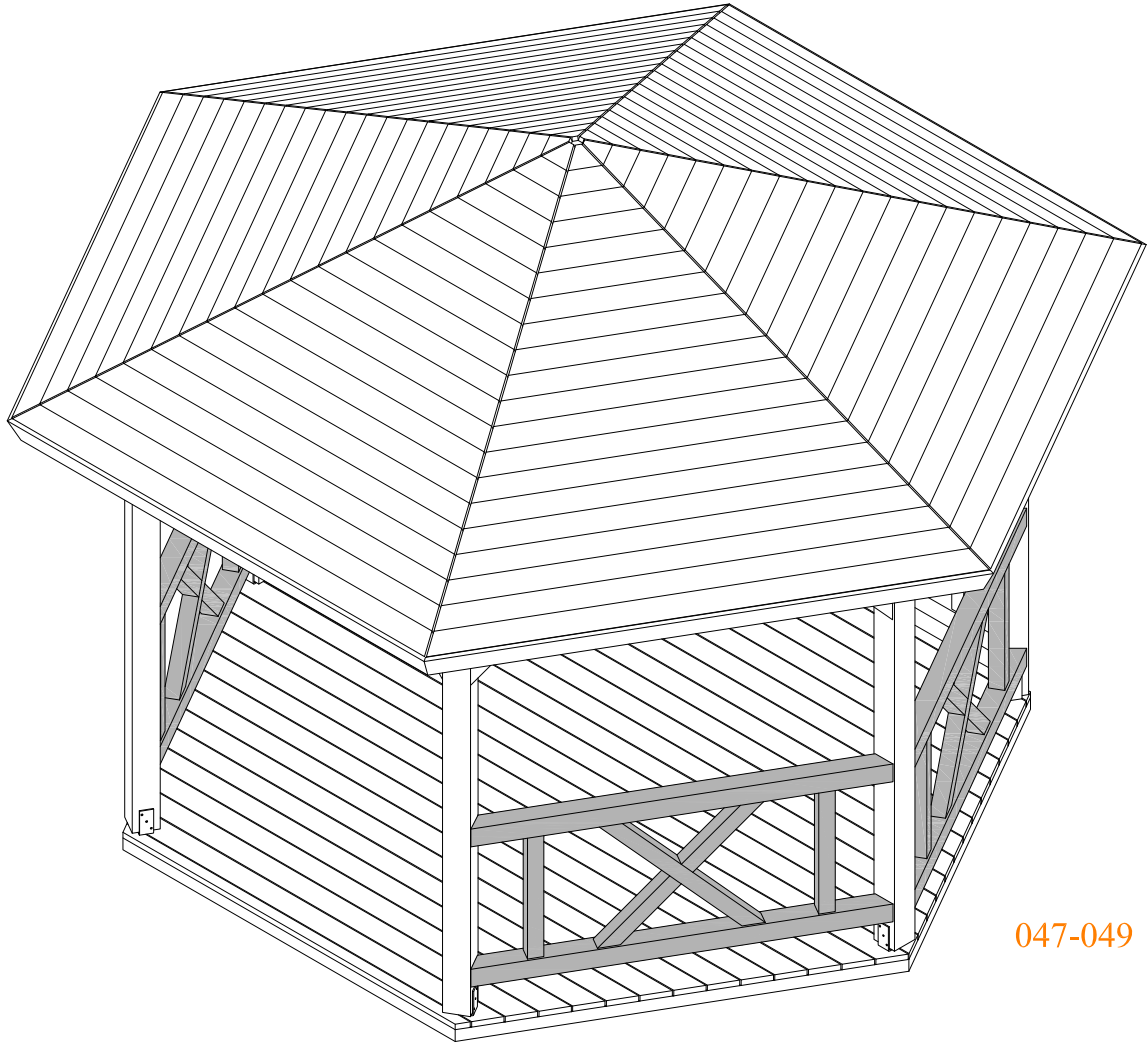


026-045  
6x

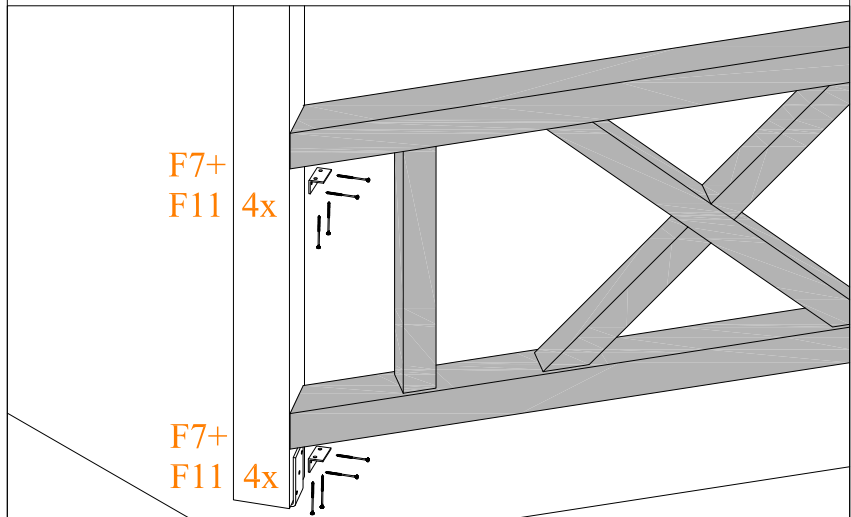
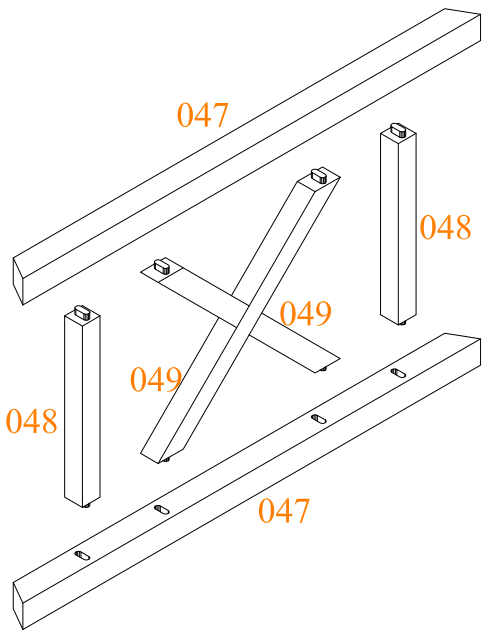
14







047-049



F7+  
F11 4x

F7+  
F11 4x