



Installation manual

Log cabin Utah 1

Width 350 x Depth 250 cm

Log thickness 28 mm



The producer shall have the right to make technical changes to the product • Technische Änderungen vorbehalten • Le producteur réserve le droit d'effectuer des modifications techniques au produit • Il produttore mantiene il diritto di apportare modifiche tecniche al prodotto • Reservado el derecho a modificaciones técnicas • Produsent forbeholder seg retten til å endre tekniske egenskaper ved produktet • Alle rechten en technische wijzigingen voorbehouden

1 General information



Dear client,

We are glad that you have decided in favour of our garden house!

Please read the assembly manual carefully before proceeding with the house installation! You will thus avoid problems and will not waste time.

Recommendations:

- Keep the house package until its complete assembly in a dry place, but not in direct contact with the ground, protected from weather conditions (moisture, the sun, etc.). Do not keep the house package in a heated room!
- When selecting the garden house location, make sure that the house will not be subjected to extreme weather conditions (areas of strong snowfall or winds); otherwise you should attach the house (for instance, with anchors) to the subsoil.



Warranty

Your house is made from high quality fir and delivered in the natural (unprocessed) form. If, despite our thorough inspection, you should have complaints, please submit the filled out control sheet and purchase invoice to the product seller.

ATTENTION: Please be sure to keep the documentation accompanying the house package! The control sheet includes the control number of the house. We can only review complaints if you submit the control number of the house to the seller!

The warranty does not cover:

- Peculiarities of wood as a natural material
- Wooden details already painted (processed with a wood preservative)
- Wooden details containing whole branches that do not endanger the stability of the house
- Colour tone variations caused by wood structure differences that do not influence wood lifetime
- Wooden details containing (caused by drying) small cracks/gaps that do not pass through and do not influence the structure of the house
- Twisted wooden details if they can nevertheless be installed
- Roof and floor boards that may have on their concealed surfaces some non-planed areas, colour differences and waning
- Complaints resulting from an incompetent manner of the installation of the house or the house subsiding due to an incompetently made foundation
- Complaints caused by introducing self-initiative changes to the house, such as the deformation of wooden details and doors/windows due to an incompetent manner of wood processing; the attachment of storm braces too rigidly, doorframes being screwed onto wall logs, etc.

The complaints covered by the warranty are satisfied to the extent of replacing the deficient/faulty material. All other demands will be excluded!



Garden house painting and maintenance

Wood is a natural material, growing and adapting depending on weather conditions. Large and small cracks, colour tone differences and changes, as well as a changing structure of wood are not errors, but a result of wood growing and a peculiarity of wood as a natural material.

Unprocessed wood (except for foundation joists) becomes greyish after having been left untouched for a while, and can be turn blue and become mouldy. To protect the wooden details of your garden house, you must immediately process them with a wood preservative.

We recommend that you cover the floor boards in advance with a colourless wood impregnation agent, especially the bottom sides of the boards, to which you will no longer have access when the house is assembled. Only this will prevent moisture penetration.

We definitely recommend that you also process the doors and windows with a wood impregnation agent, and do that namely both inside and outside! Otherwise the doors and windows can become twisted.

After the house assembly is completed, we recommend for the conclusive finishing a weather protection paint that will protect wood from moisture and UV radiation.

When painting, use high quality tools and paints, follow the paint application manual and manufacturer's safety and usage instructions. Never paint a surface in strong sunlight or rainy weather. Consult a specialist regarding paints suitable for unprocessed softwood and follow the paint manufacturer's instructions.

Having been properly painted, your garden house's lifetime will increase substantially. We recommend that you inspect the house thoroughly once every six months.

2 Preparation for assembly

Tools and preparation of components

To assemble the garden house, you will need the following tools:



assembly aid



ladder



hammer



water-level



screwdriver



saw



knife



measuring tape



pliers

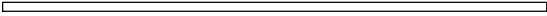









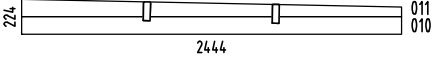
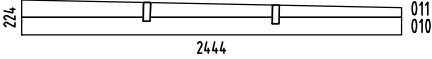







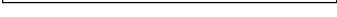











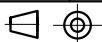
drill


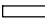
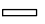

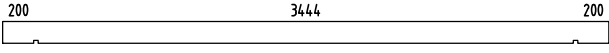

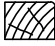


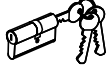

















ADVICE: To avoid splinters, we recommend that you wear the corresponding protective gloves during the assembly process.



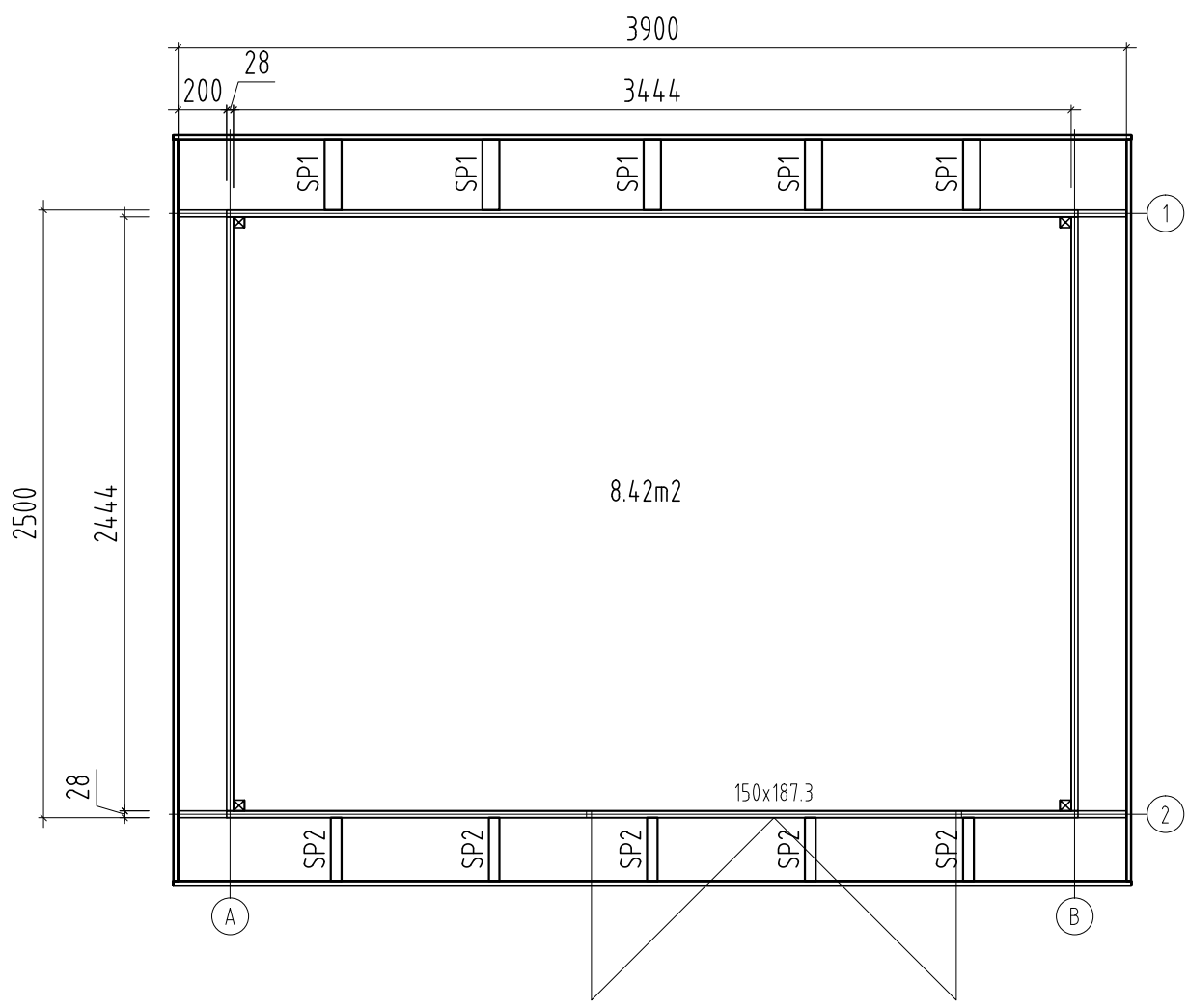
We wish you total success with the garden house installation and much joy with this house for many years to come!

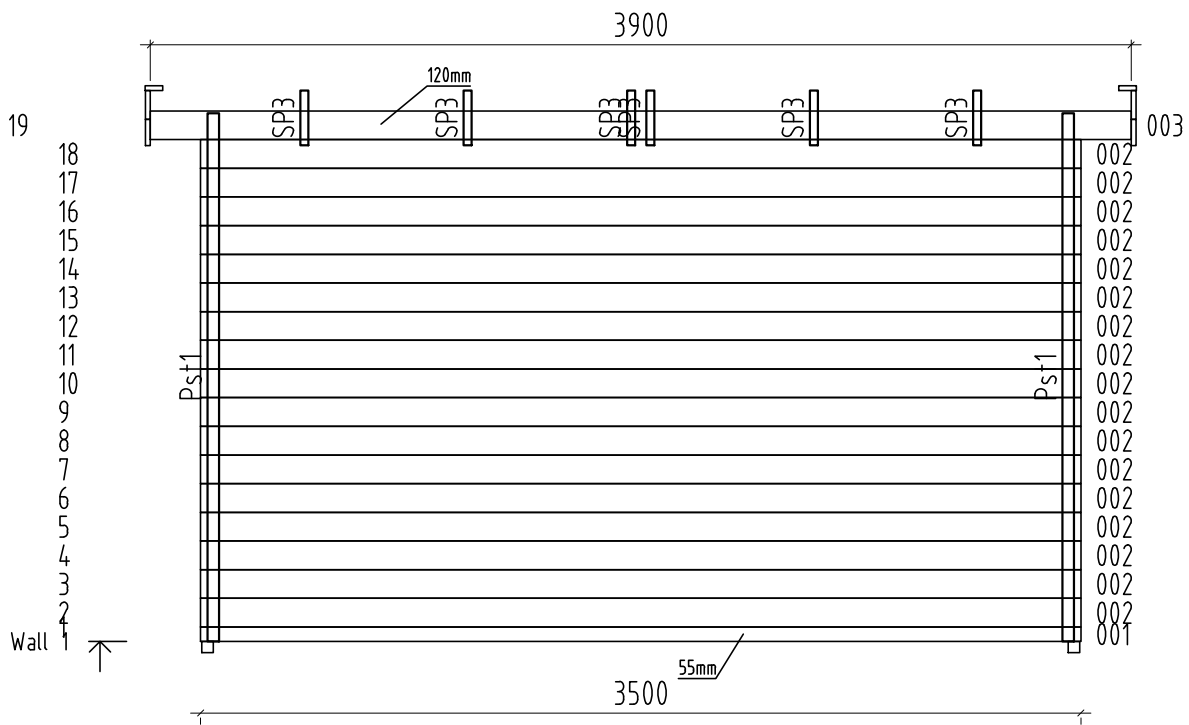
Pos	SPECIFICATION-STÜCKLISTE-NOMENCLATURE-ELEMENTI-ESPECIFICACIÓN "FRB28-3524"	Pcs	Profile (mm)	Length (mm)
001		1	28x55	3500
002		18	28x114	3500
003	□ 	1	28x120	3900
004		1	28x55	1479
005		1	28x55	479
006		16	28x114	1479
007		16	28x114	479
008		1	28x114	3900
009	□ 	1	28x55	3900
010		34	28x114	2444
WA-1		1		
WB-1		1		
AR2	Foundation- Fundament- Fondation- Fondazione- Vigas de cimentación 	2	45x45	3400
AR1	Foundation- Fundament- Fondation- Fondazione- Vigas de cimentación 	2	45x45	2490
CoB4	Covering board- Deckbrett- Madrier de couverture- Tavola di copertura- Listón de cubierta 	2	95x16	2160
CoB2	Covering board- Deckbrett- Madrier de couverture- Tavola di copertura- Listón de cubierta 	2	95x16	2110
CoB3	Covering board- Deckbrett- Madrier de couverture- Tavola di copertura- Listón de cubierta 	4	95x16	1995
CoB5	Covering board- Deckbrett- Madrier de couverture- Tavola di copertura- Listón de cubierta 	2	70x19	3940
CoB1	Covering board- Deckbrett- Madrier de couverture- Tavola di copertura- Listón de cubierta 	2	70x19	2950
Pst2	Post- Pfosten- Poteau- Montante- Poste 	2	45x45	2150
Pst1	Post- Pfosten- Poteau- Montante- Poste 	2	45x45	2100
Rai4	Railing board- Geländer- Barre de rambarde- Tavola di ringhiera- Tabla de barandilla  	2	19x114	3940
Rai2	Railing board- Geländer- Barre de rambarde- Tavola di ringhiera- Tabla de barandilla  	2	19x114	3050
Rai3	Railing board- Geländer- Barre de rambarde- Tavola di ringhiera- Tabla de barandilla  	2	19x105	3940
Rai1	Railing board- Geländer- Barre de rambarde- Tavola di ringhiera- Tabla de barandilla  	2	19x105	3050

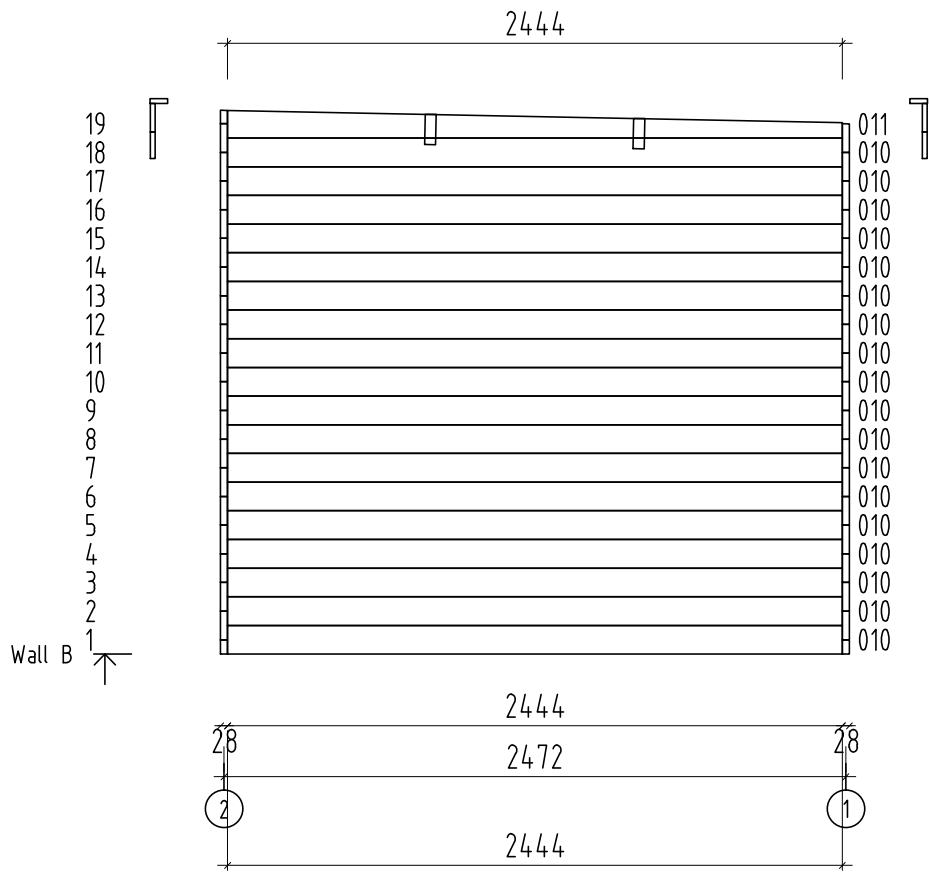


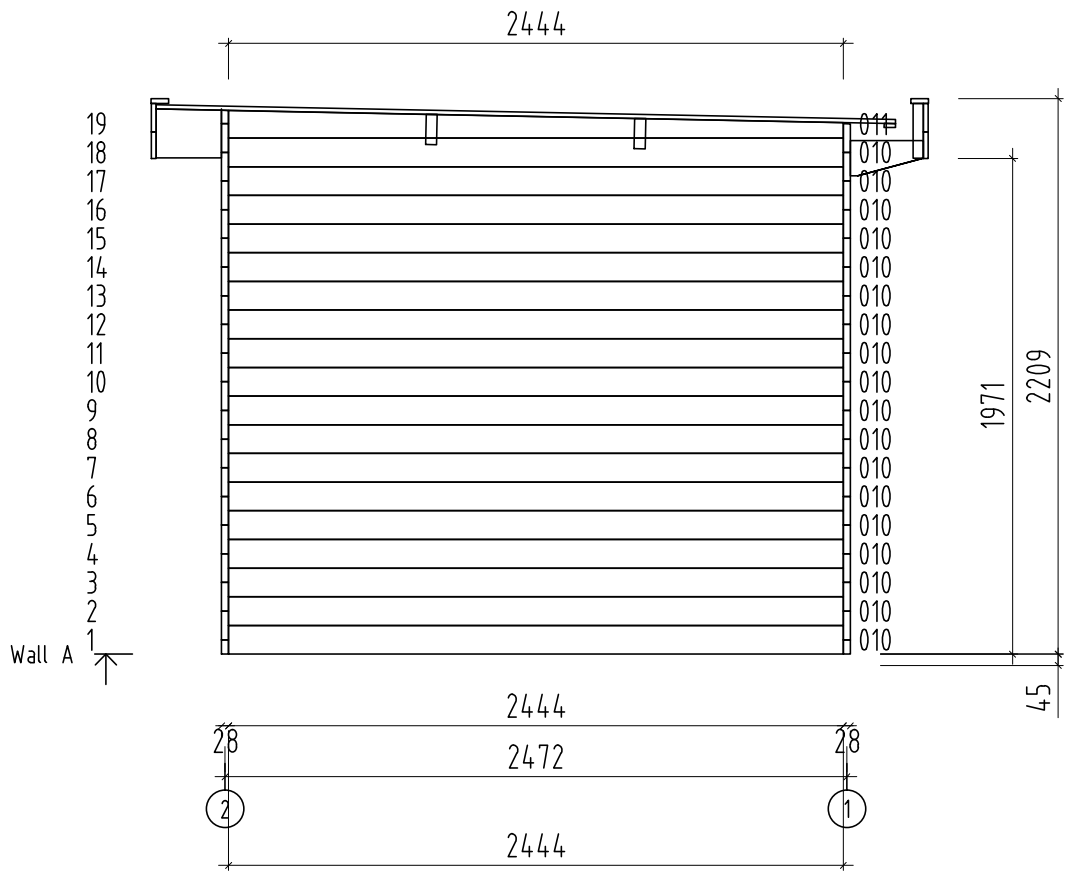
Pos	SPECIFICATION-STÜCKLISTE-NOMENCLATURE-ELEMENTI-ESPECIFICACIÓN "FRB28-3524"		Pcs	Profile (mm)	Length (mm)	
SP2		Support brace- Stützleiste- Baguette de support- Listello di supporto- Listón de soporte	5	44x195	260	
SP1		Support brace- Stützleiste- Baguette de support- Listello di supporto- Listón de soporte	5	45x70	290	
SP3		Support brace- Stützleiste- Baguette de support- Listello di supporto- Listón de soporte	6	32x40	218	
TP1		Tender post- Tenderleiste- T-poste- Rinforzo- Refuerzo	2	19x28	1880	
PR1		Purlin- Dachpfette- Arbalétrier- Arcareccio- Correa	2	44x140	3900	
RB1-1		Roof board- Dachbrett- Madrier du toit- Tavola tetto- Tabla de tejado		44	89x16	2840
RE1-1		Roof edge reinforcement- Dachrandleiste- Baguette en bordure du toit- Rinforzo bordo tetto- Refuerzo borde tejado		2	16x45	1950
SiS5-1		Side slat - Randleiste - Baguette en bordure - Listello bordo 5		2	28x45	1576
Fim		-Fixing kit- Befestigungsset- Moyens de fixation- Materiale di fissaggio- Kit de fijación		1	USE	
QULSy damik 30/35		Cylinder- Zylinderschloss- Serrure a mortaiser- Serratura a cilindro- Bombin- 30.35		1	TU28-13R	
QULKaf eHOBEk		Door fittings- Türbeschlag- Ferrure- Ferramenta porta- Manilla puerta- QULKateHOBEk		1	TU28-13R	
QULli nkHOBE		Door fittings- Türbeschlag- Ferrure- Ferramenta porta- Manilla puerta- QULLinkHOBE		1	TU28-13R	
QServa riiviv astus120		Keeper- Schliessblech- Tole- Lamiera- Aldaba de candado		1	TU28-13R	
QNU2 02040		L-iron- Winkel- Angle -Angolo- Angulo 20x20x40		16	ARx+Wall	
QNU4 04040		L-iron- Winkel- Angle -Angolo- Angulo 40x40x40		4	AR1+AR2	
QNA2 2x50Zn		Nail- Nagel- Clou- Chiodo- Clavo- 2.5x50mm		200	RB1-1	
QKR2 5 x16kZn		Screw- Schraube- Vis- Vite- Tornillo- 2.5x16mm		2		
QKR3 5x25Zn		Screw- Schraube- Vis- Vite- Tornillo- 3.5x25mm Zn		100		
QKR3 5x40Zn		Screw- Schraube- Vis- Vite- Tornillo- 3.5x40mm		80	CoB2; CoB3; CoB4	
QKR3 x30Zn		Screw- Schraube- Vis- Vite- Tornillo- 3x30mm		12	RE1-1	
QKR4 5x50Zn		Screw- Schraube- Vis- Vite- Tornillo- 4.5x50mm		180	TP1 (34); Raix; CoB1; CoB5; ...	
QKR4 5x60Zn		Screw- Schraube- Vis- Vite- Tornillo- 4.5x60mm		320	Wall+Pst1 Wall+Pst2	
QKR4 5x70Zn		Screw- Schraube- Vis- Vite- Tornillo- 4.5x70mm		22	SiS5-1; SP3+SP1	
QKR5 x90Zn		Screw- Schraube- Vis- Vite- Tornillo- 5x90mm		34	TU28-13R (4) Wall+SP1; Wall+SP2	
QKR6x 120Zn		Screw- Schraube- Vis- Vite- Tornillo- 6x120mm		8	ARx (4) PR1 (4)	

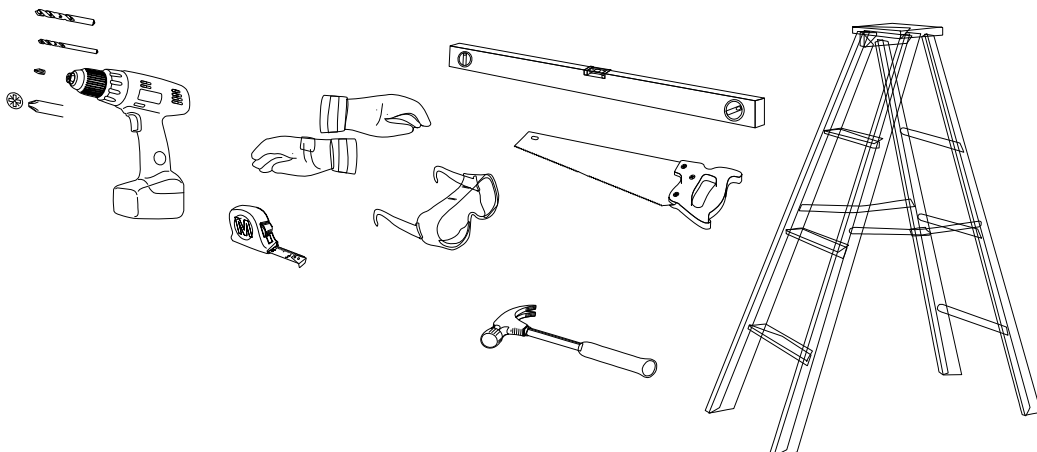
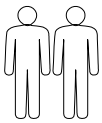
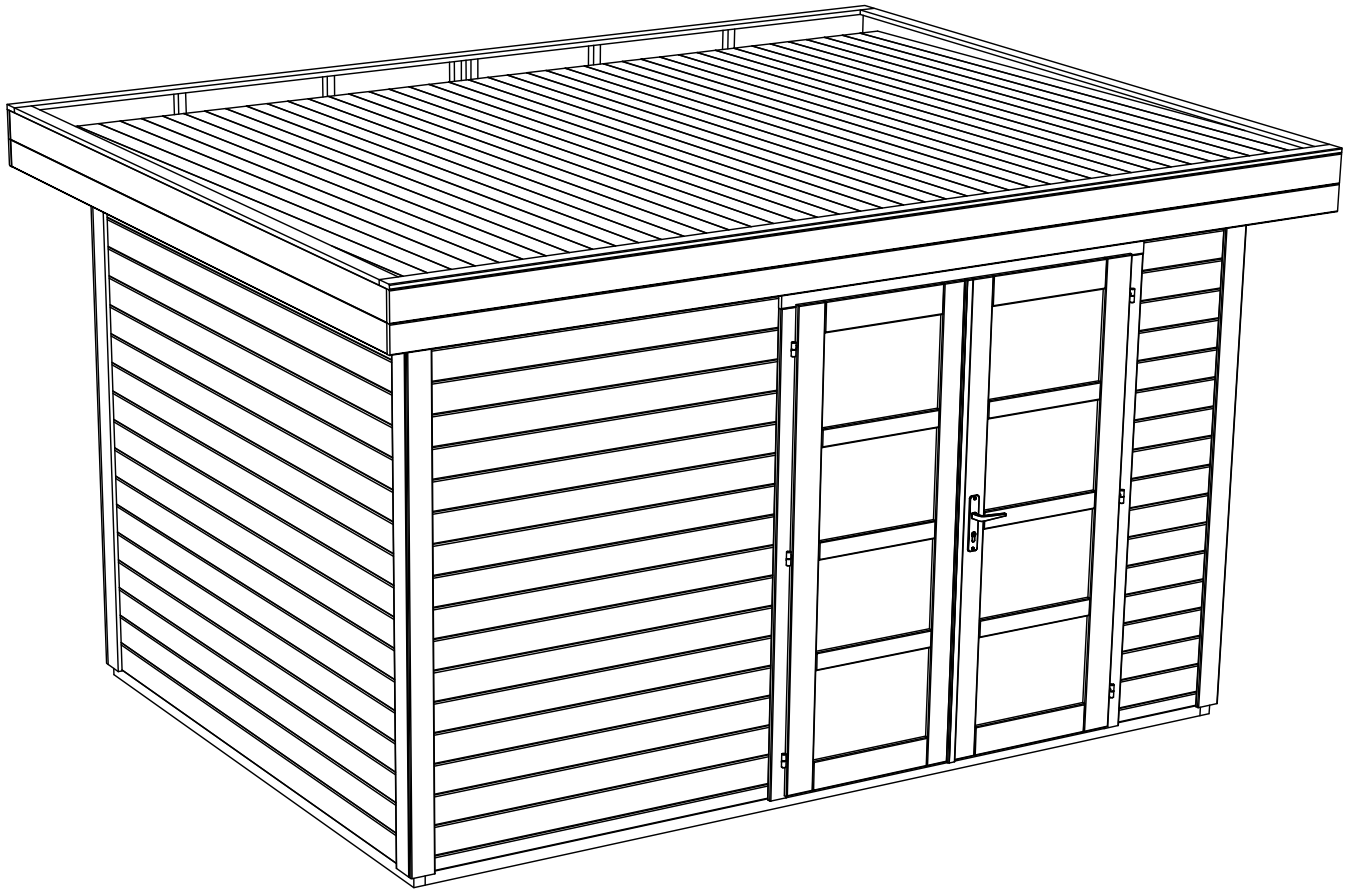





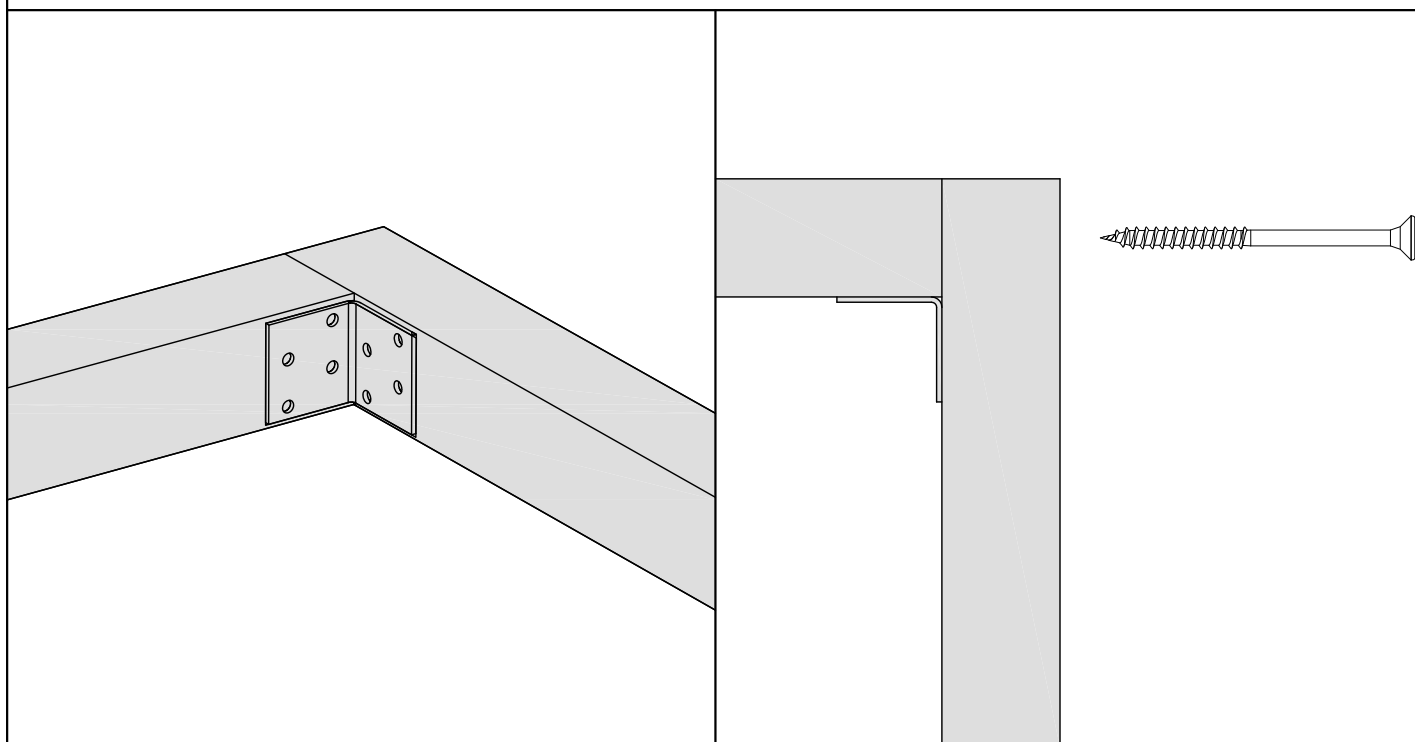
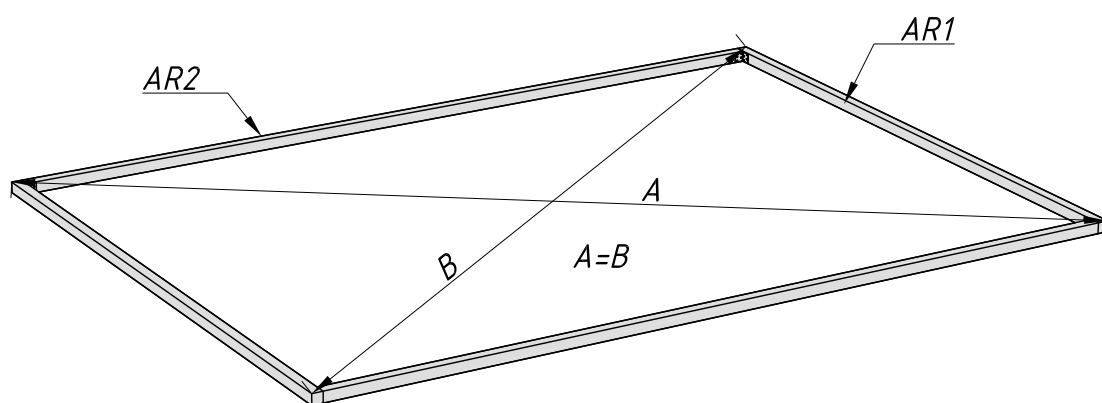
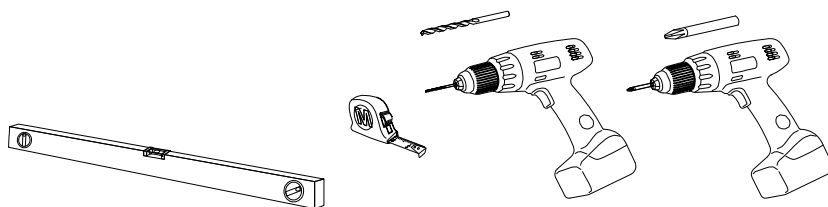





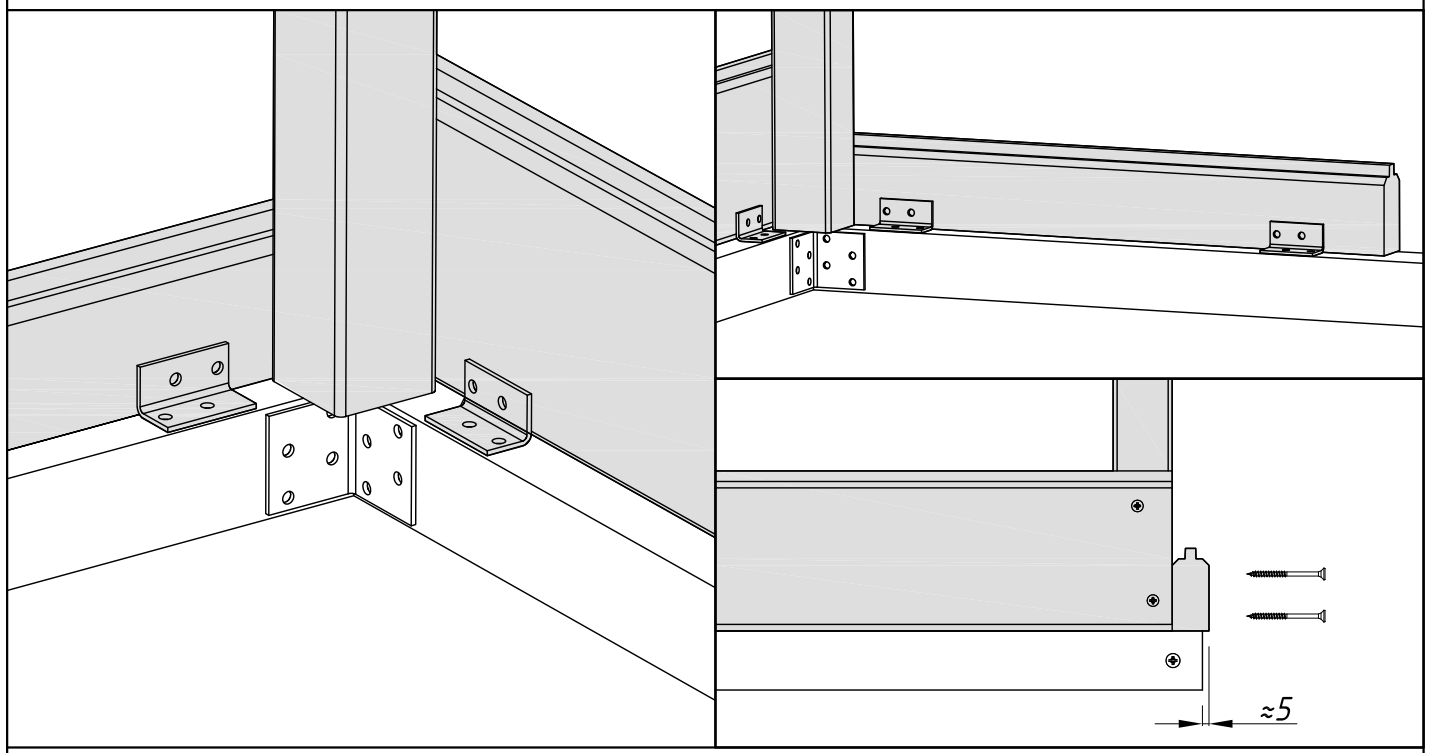
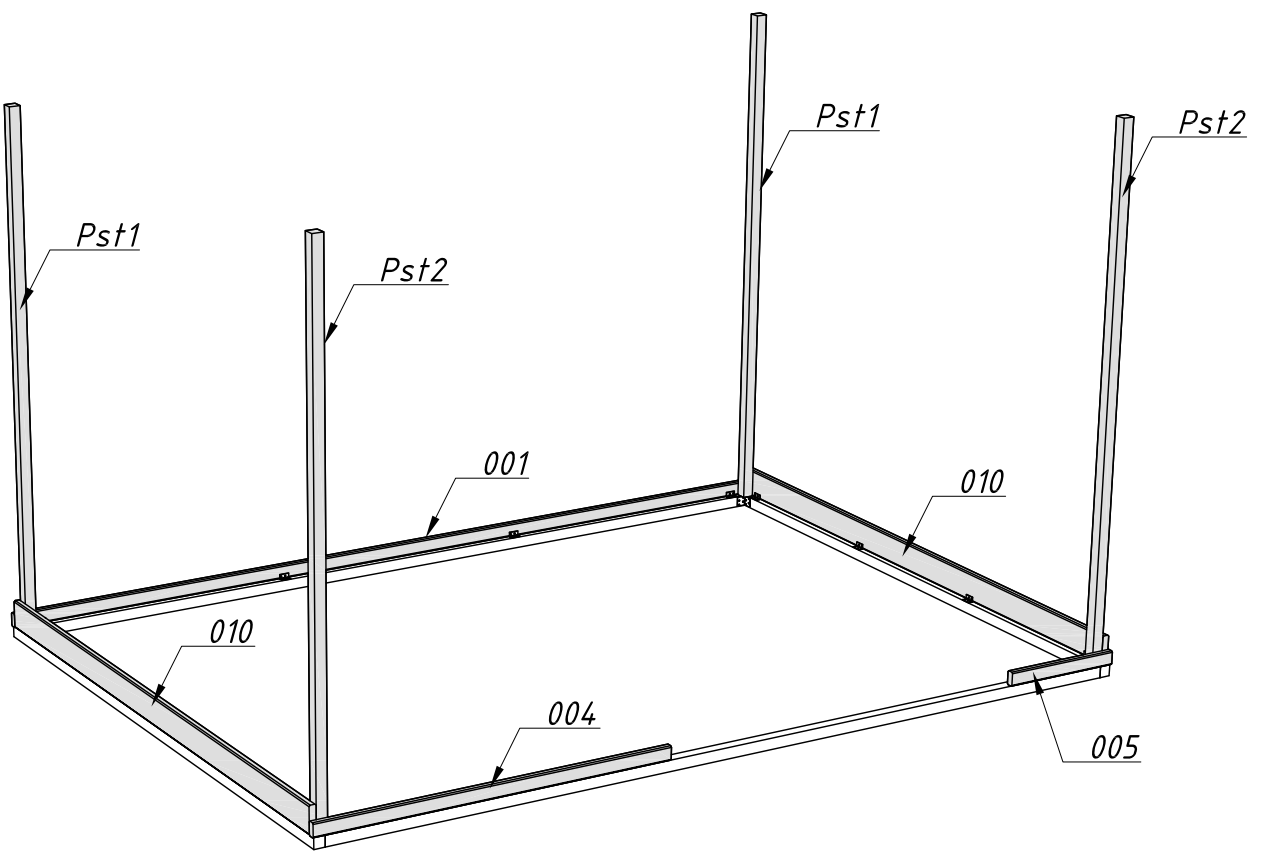
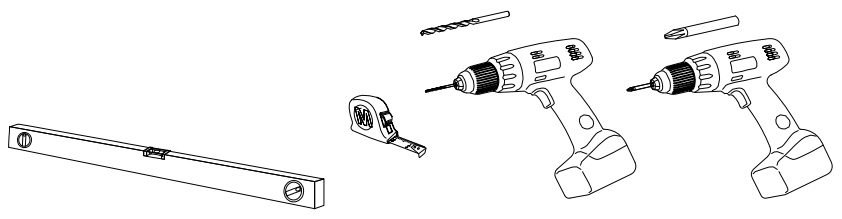




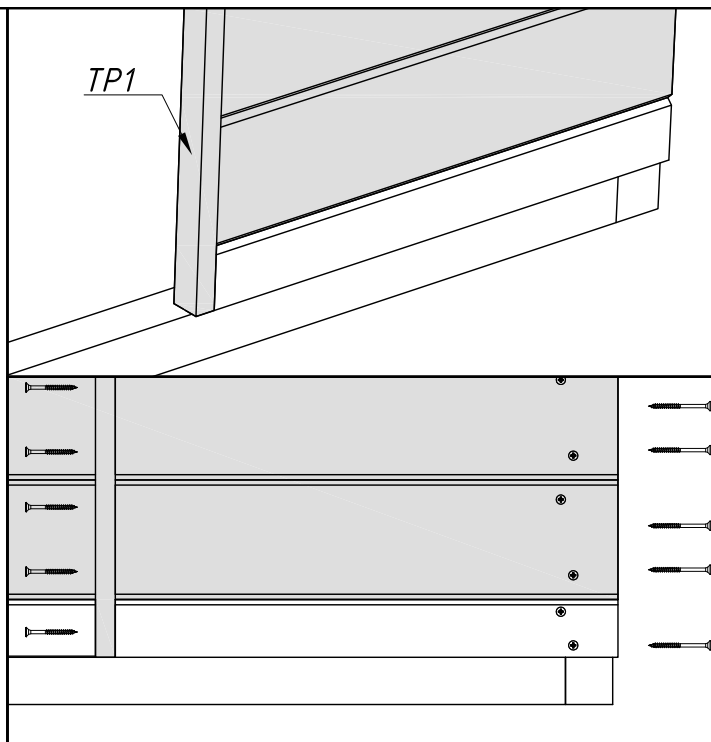
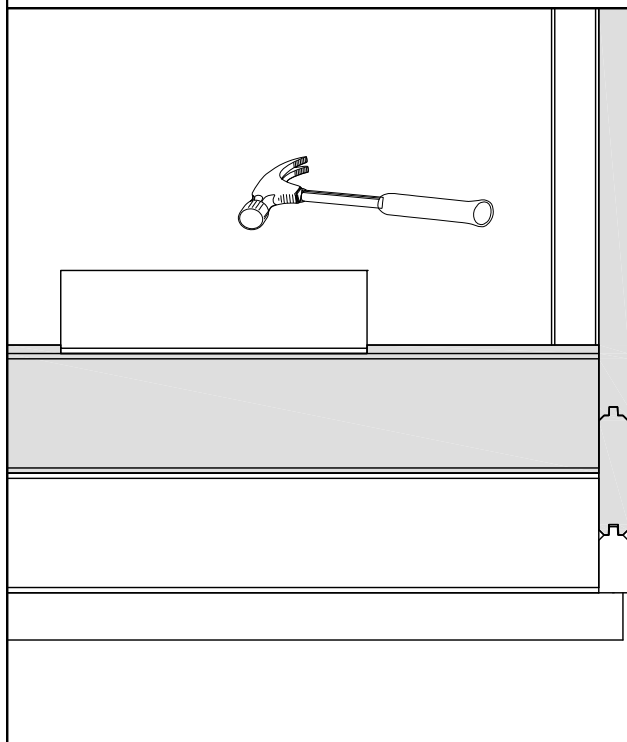
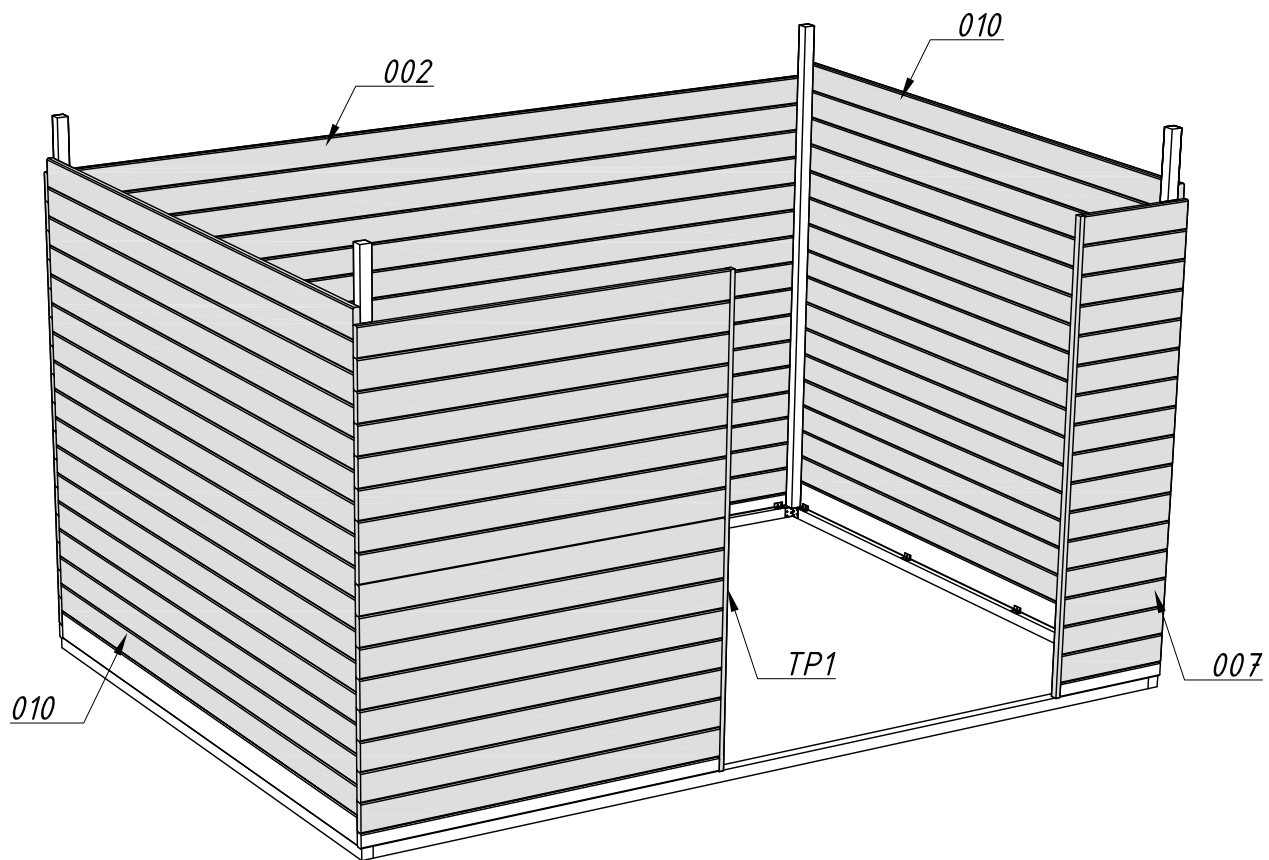
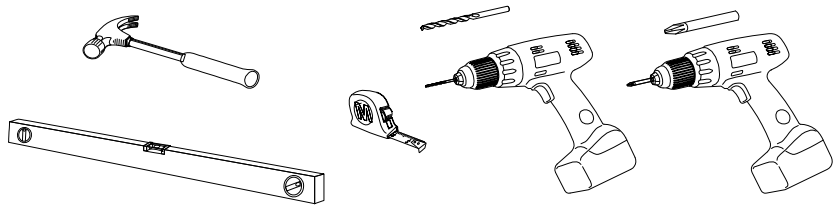
- | | | |
|---|----|-----|
| AR1 | 2 | pcs |
| AR2 | 2 | pcs |
|  | 4 | pcs |
| 3,5x25 | 32 | pcs |
| 6x120 | 4 | pcs |

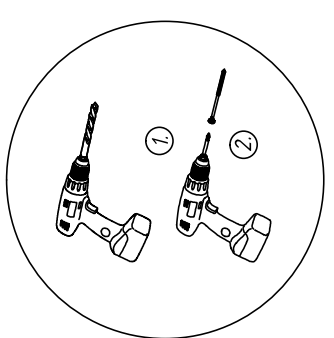
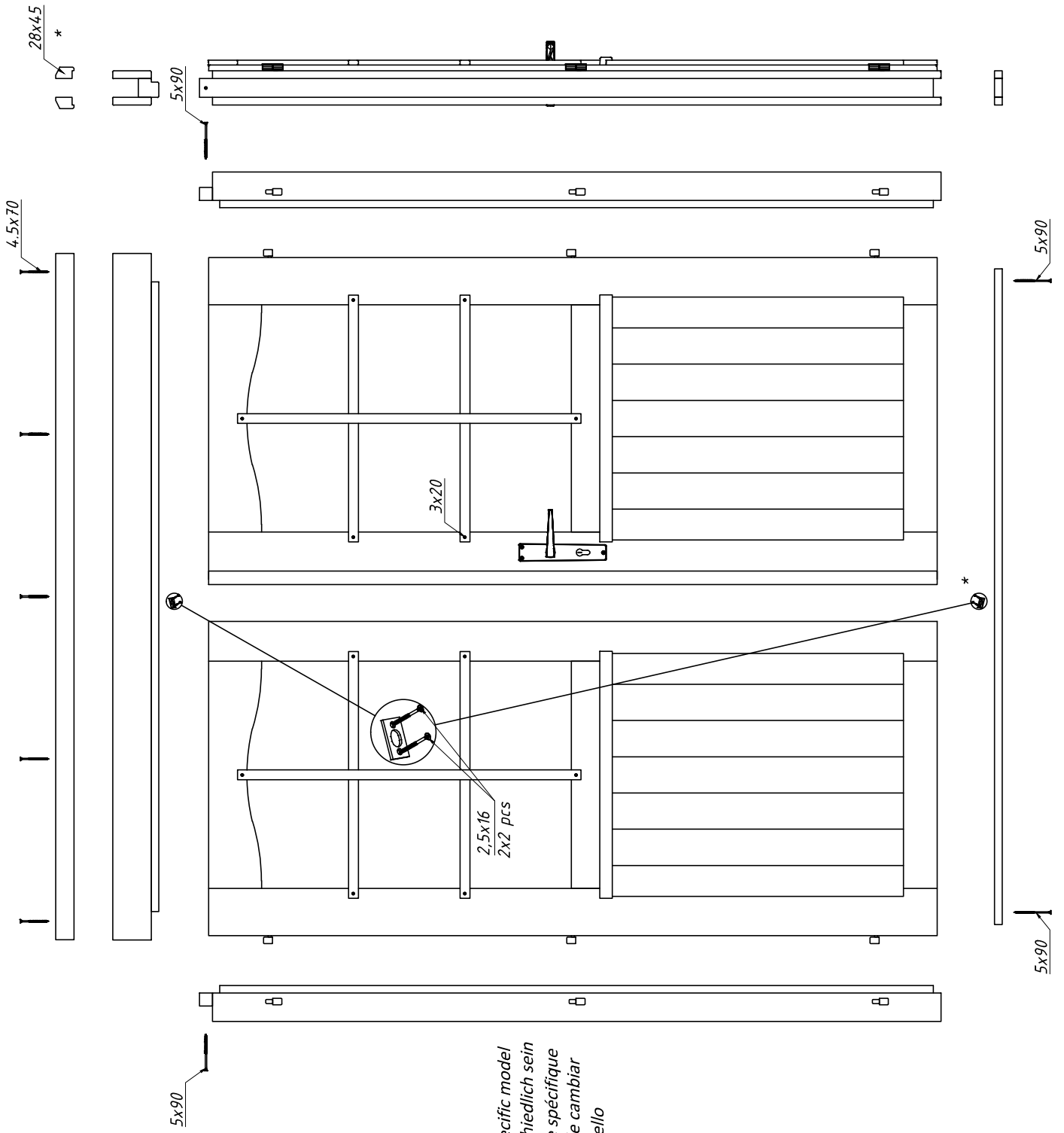


Pst1	2	pcs
Pst2	2	pcs
001	1	pcs
004	1	pcs
005	1	pcs
010	2	pcs
	16	pcs
3,5x25	64	pcs
4,5x60	16	pcs



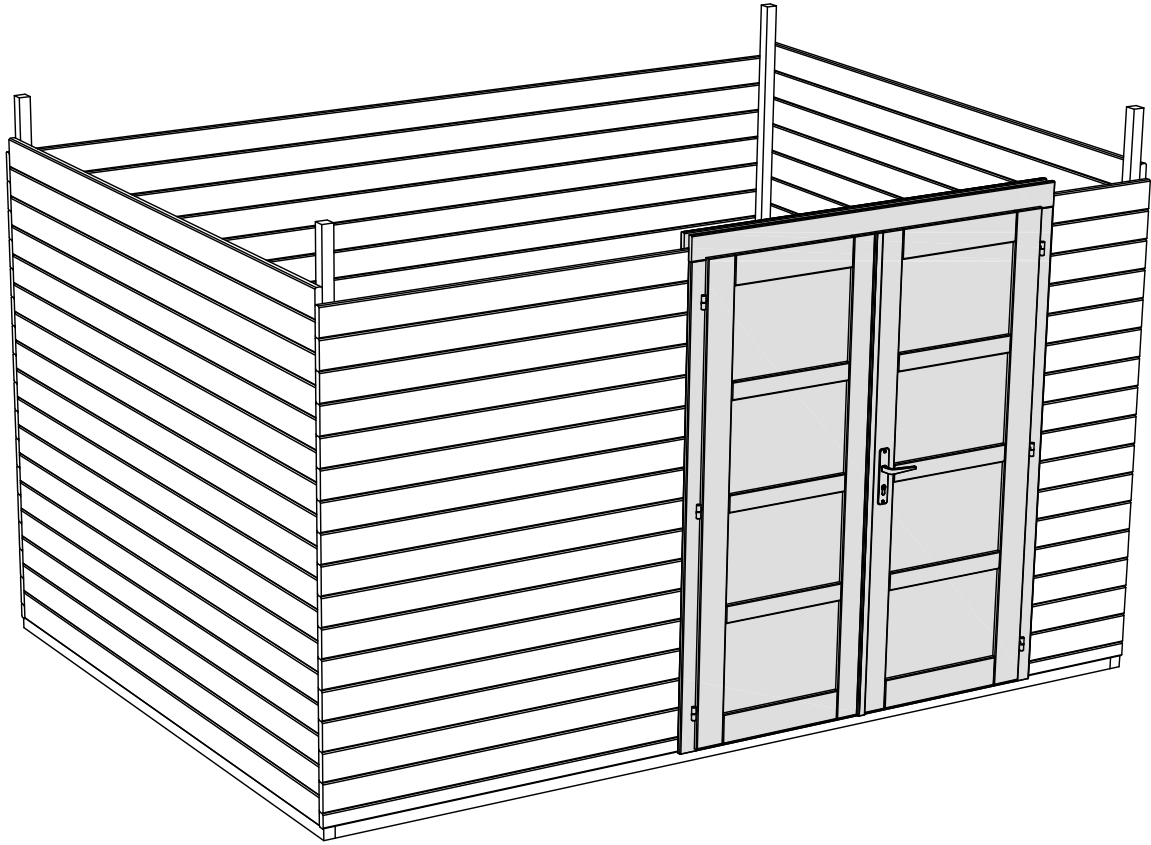
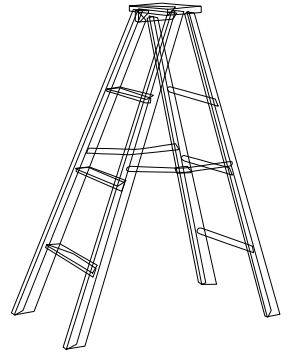
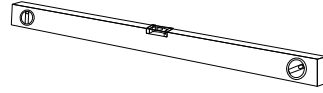
TP1	2	pcs
002	16	pcs
006	16	pcs
007	16	pcs
010	32	pcs
4,5x50	34	pcs (TP1)
4,5x60	256	pcs



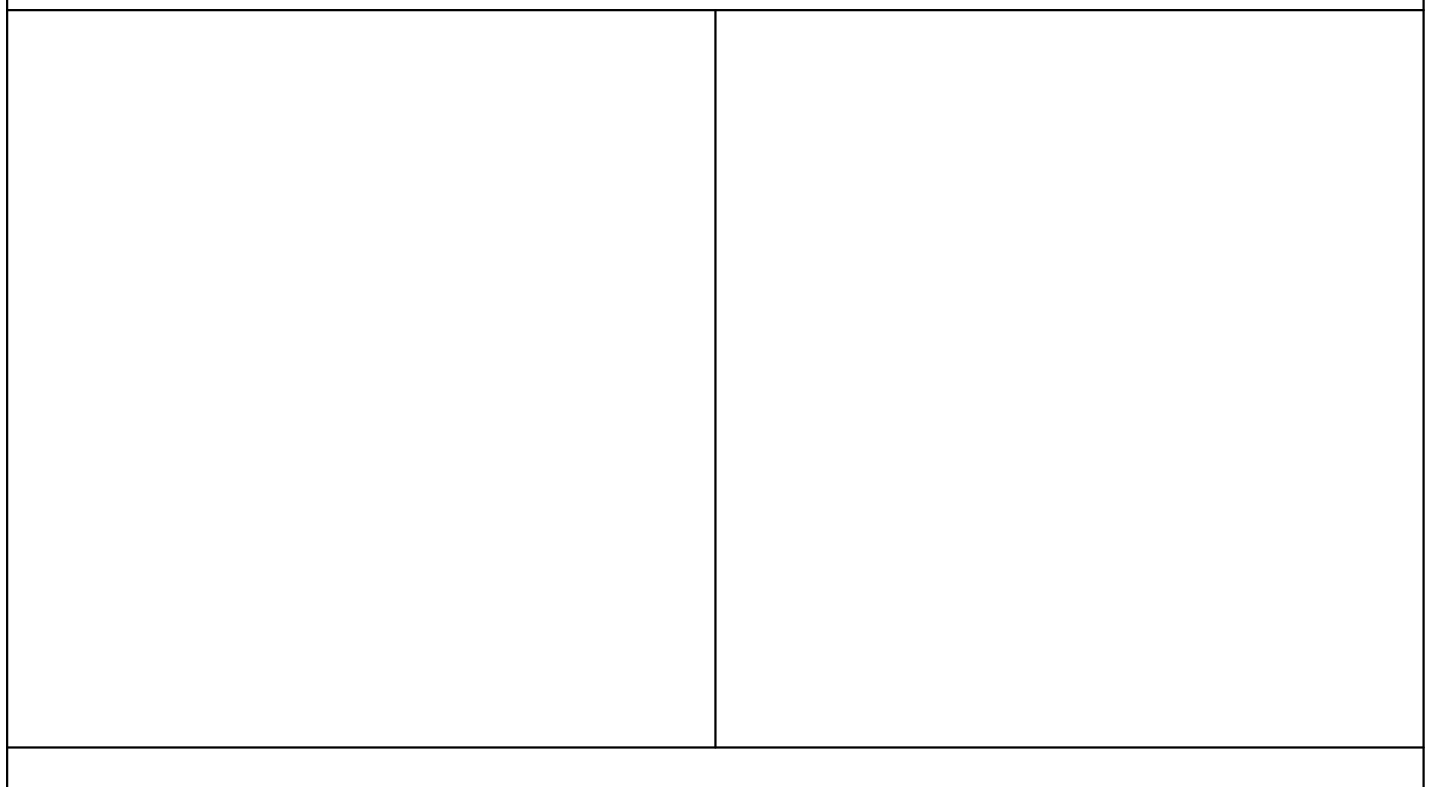
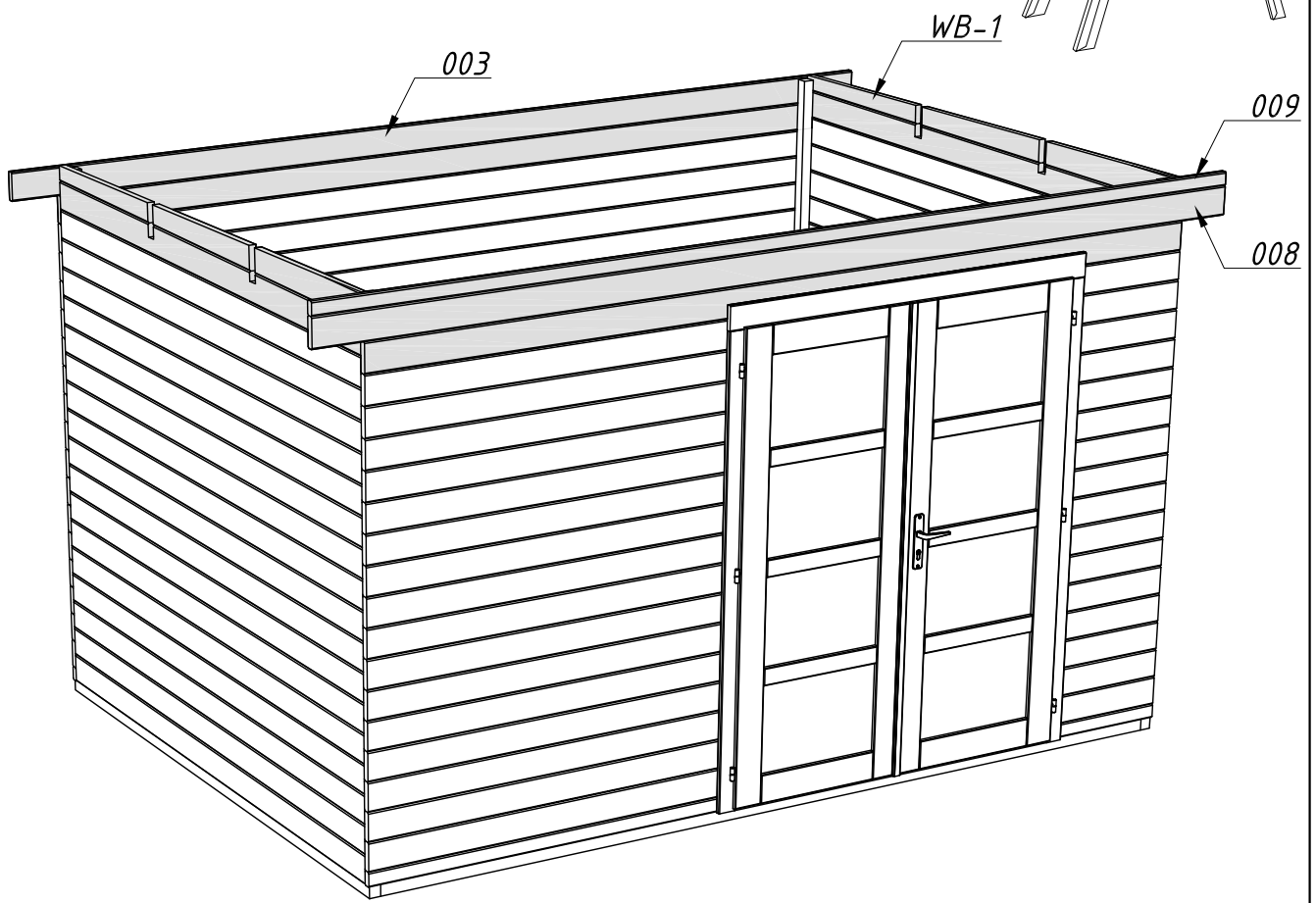
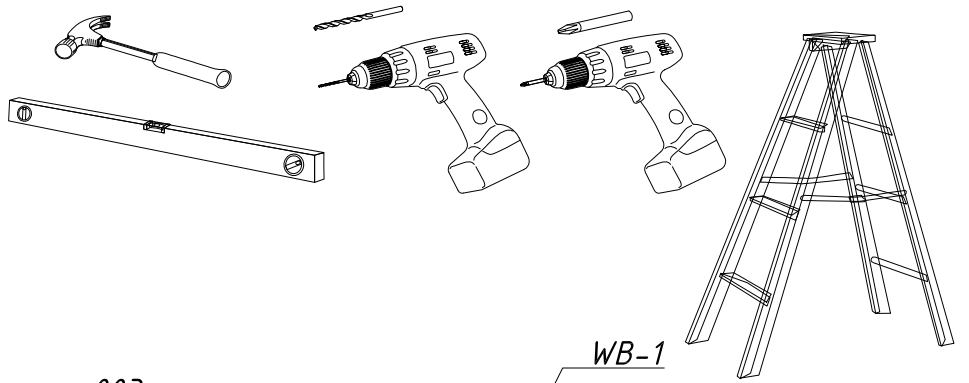


* The specification may vary depending on the specific model
 * Die Spezifikation können je nach Modell unterschiedlich sein
 * Les spécifications peuvent varier selon le modèle spécifique
 * Dependiendo del modelo, la especificación puede cambiar
 * Le specifiche possono variare a seconda del modello

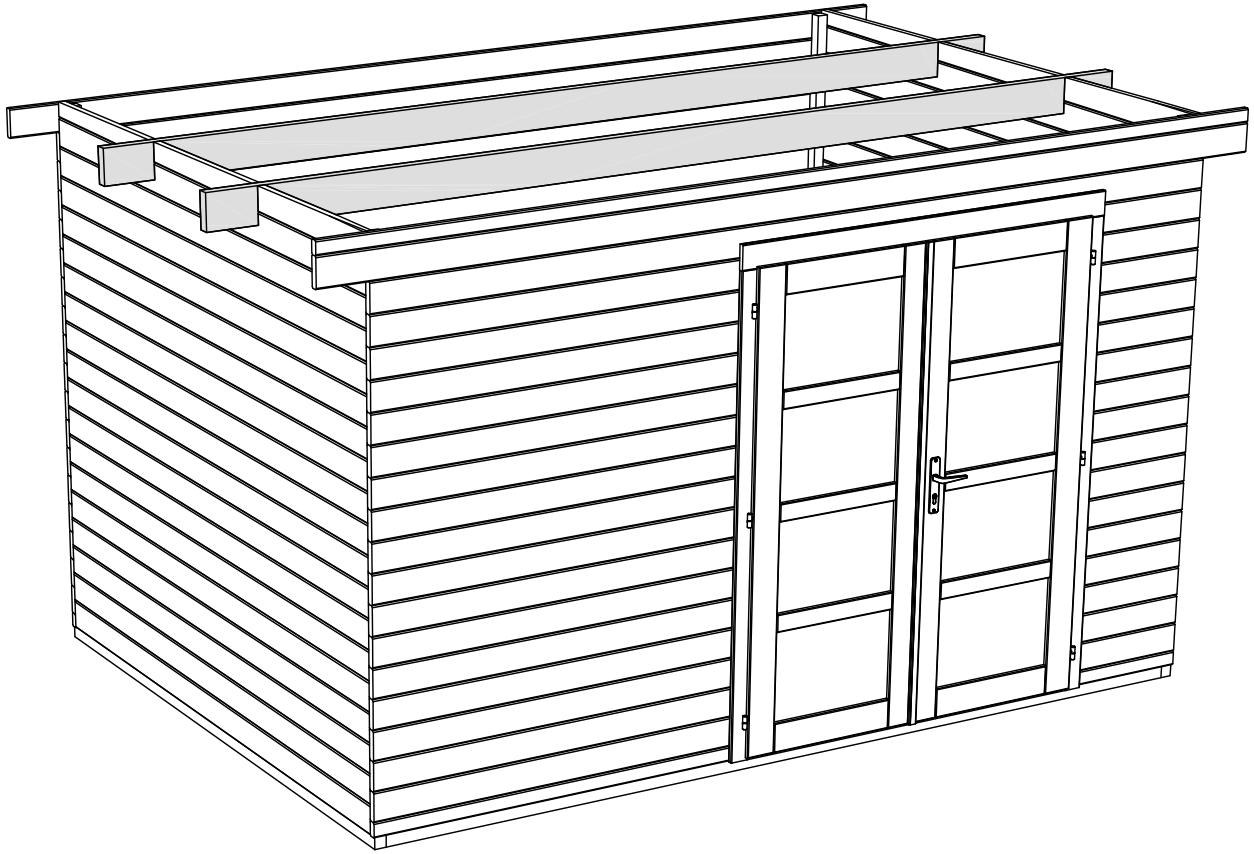
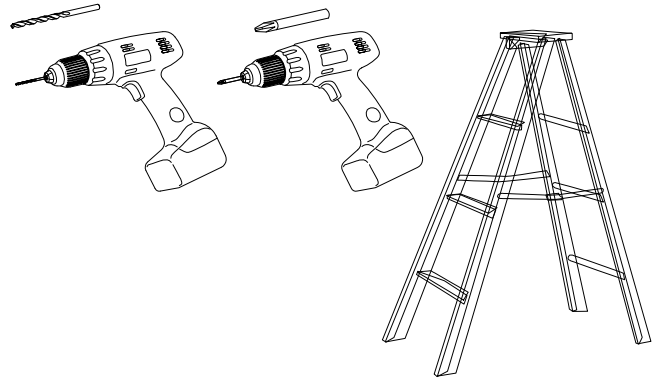
TU28-13R 1 pcs



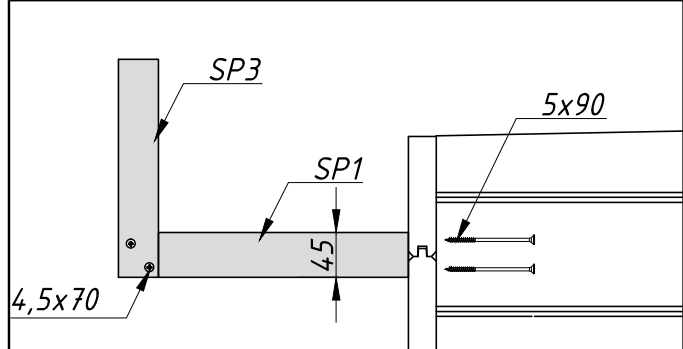
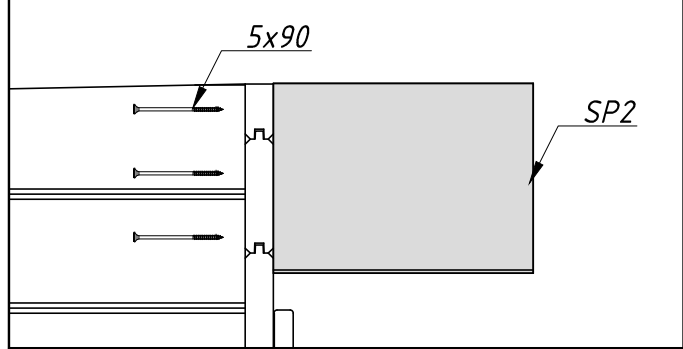
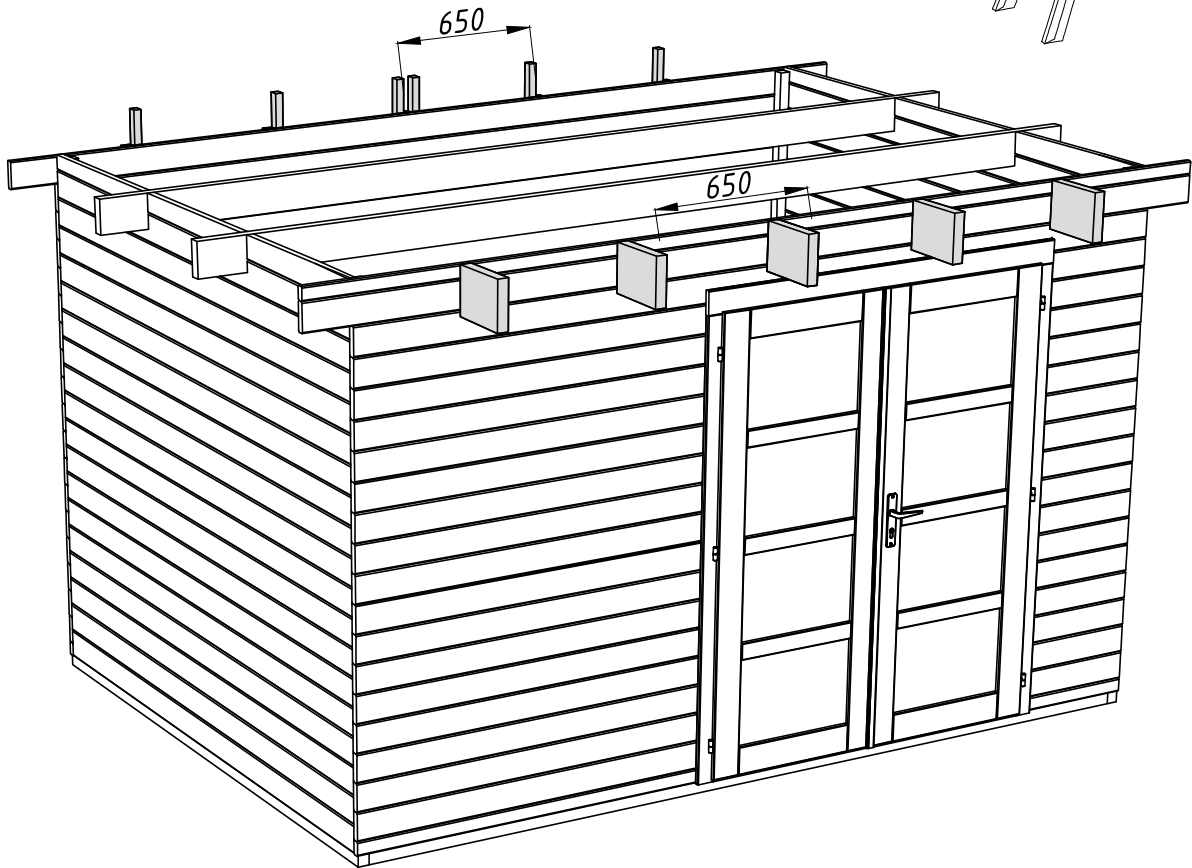
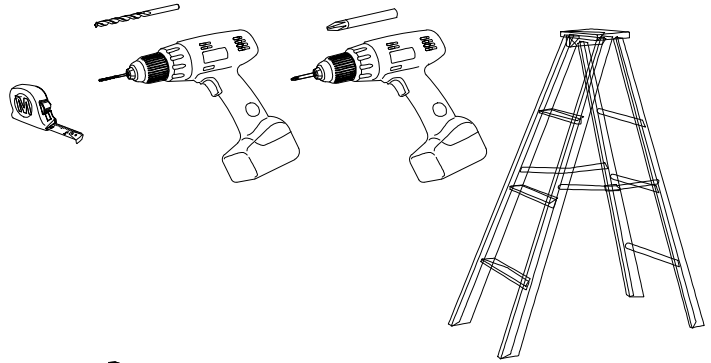
- WA-1 1 pcs
- WB-1 1 pcs
- 002 2 pcs
- 003 1 pcs
- 008 1 pcs
- 009 1 pcs
- 4,5x60 36 pcs



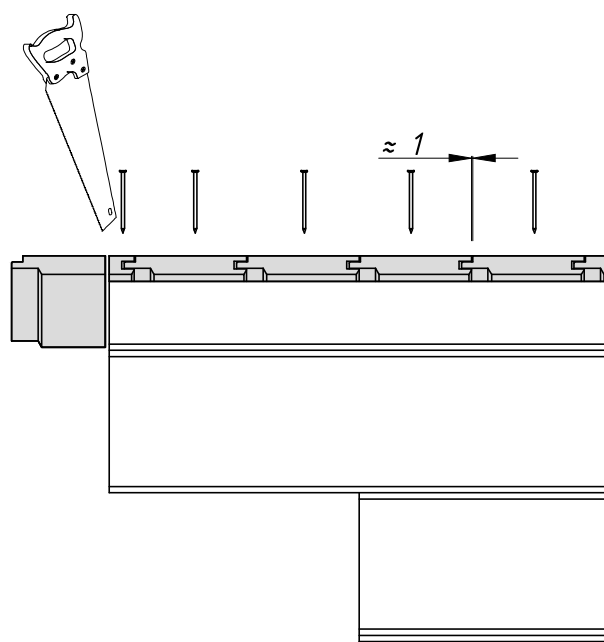
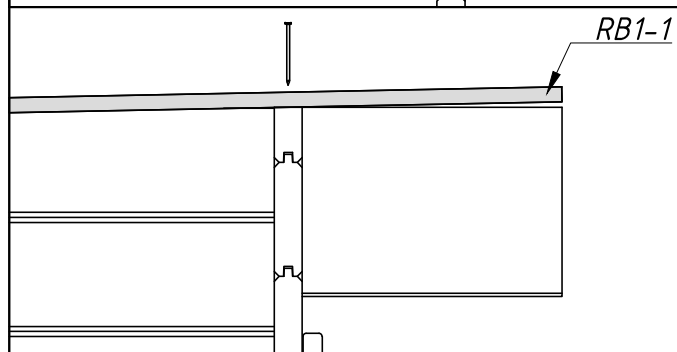
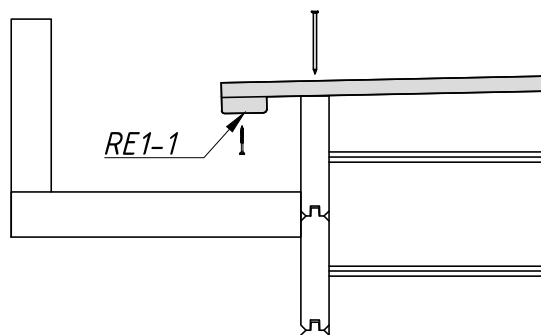
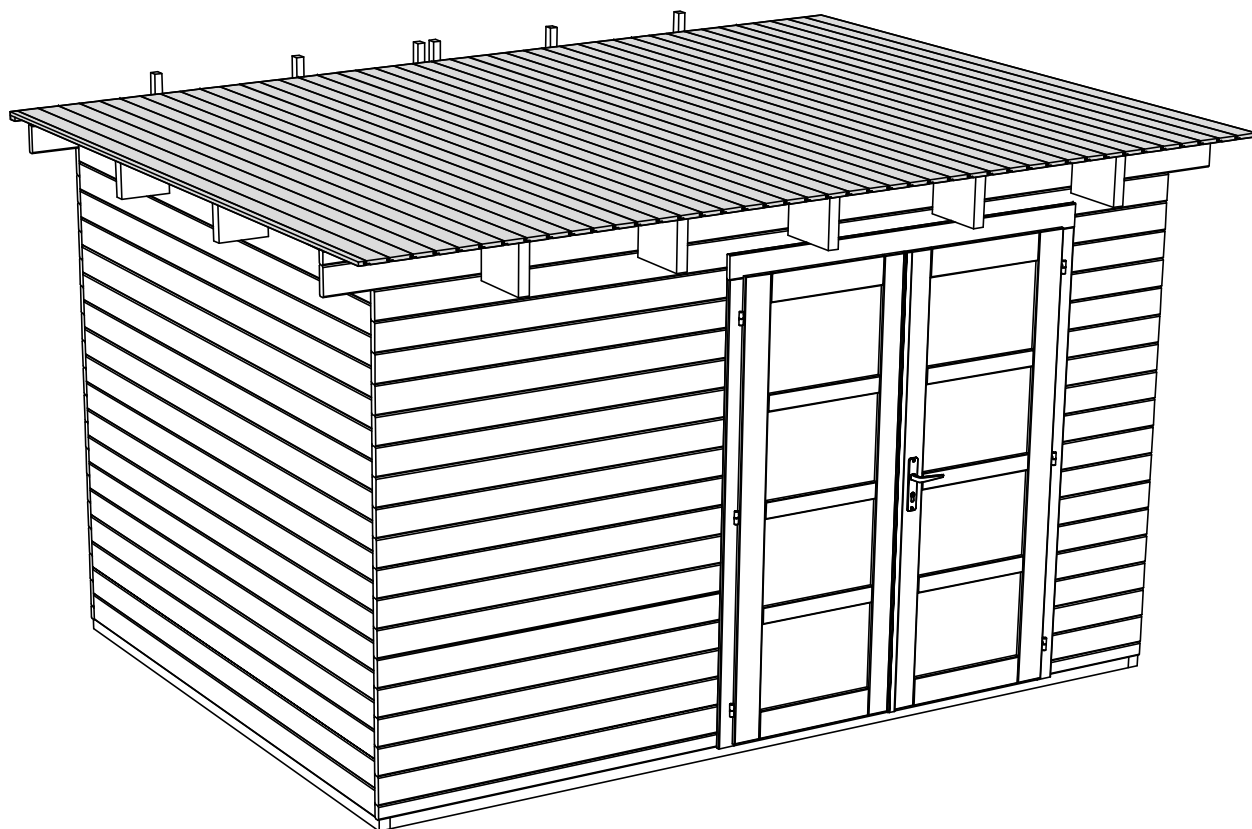
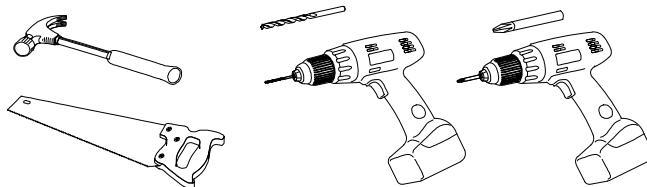
PR1 2 pcs
6x120 4 pcs



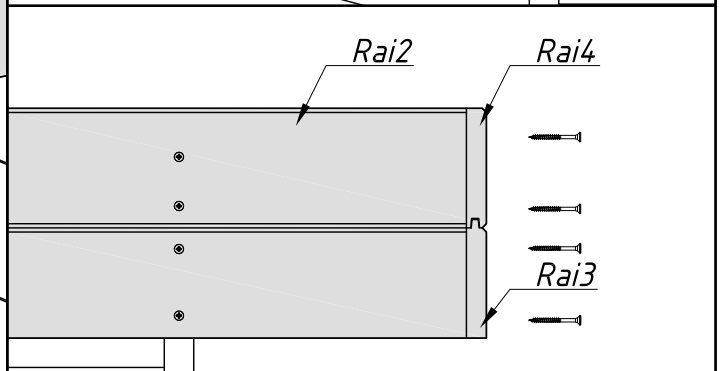
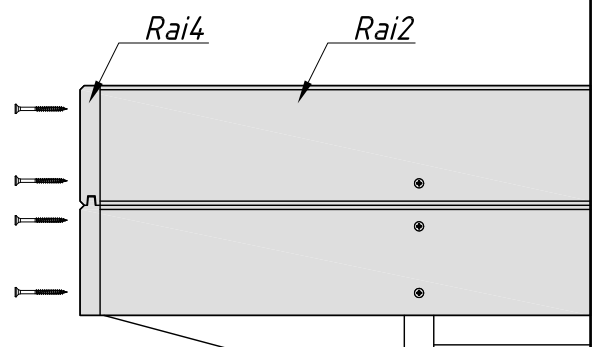
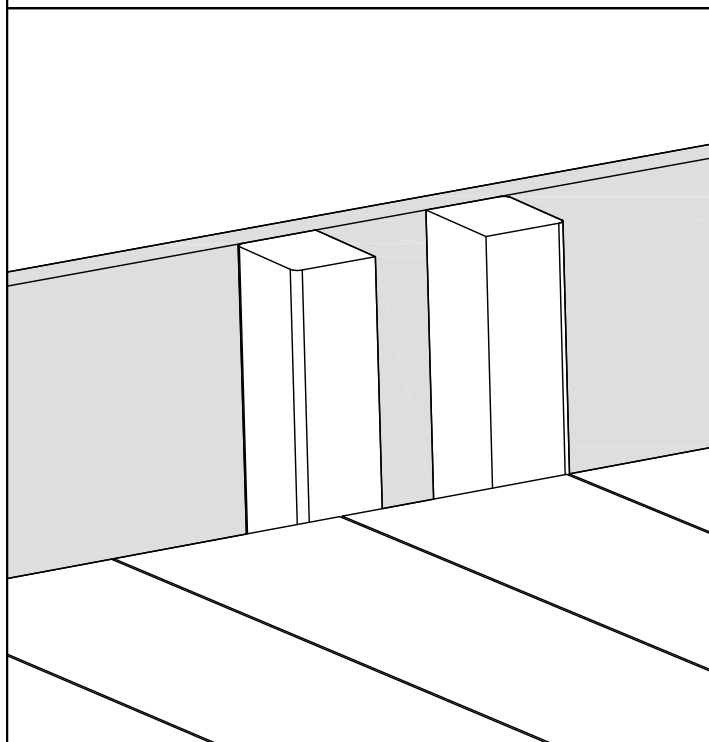
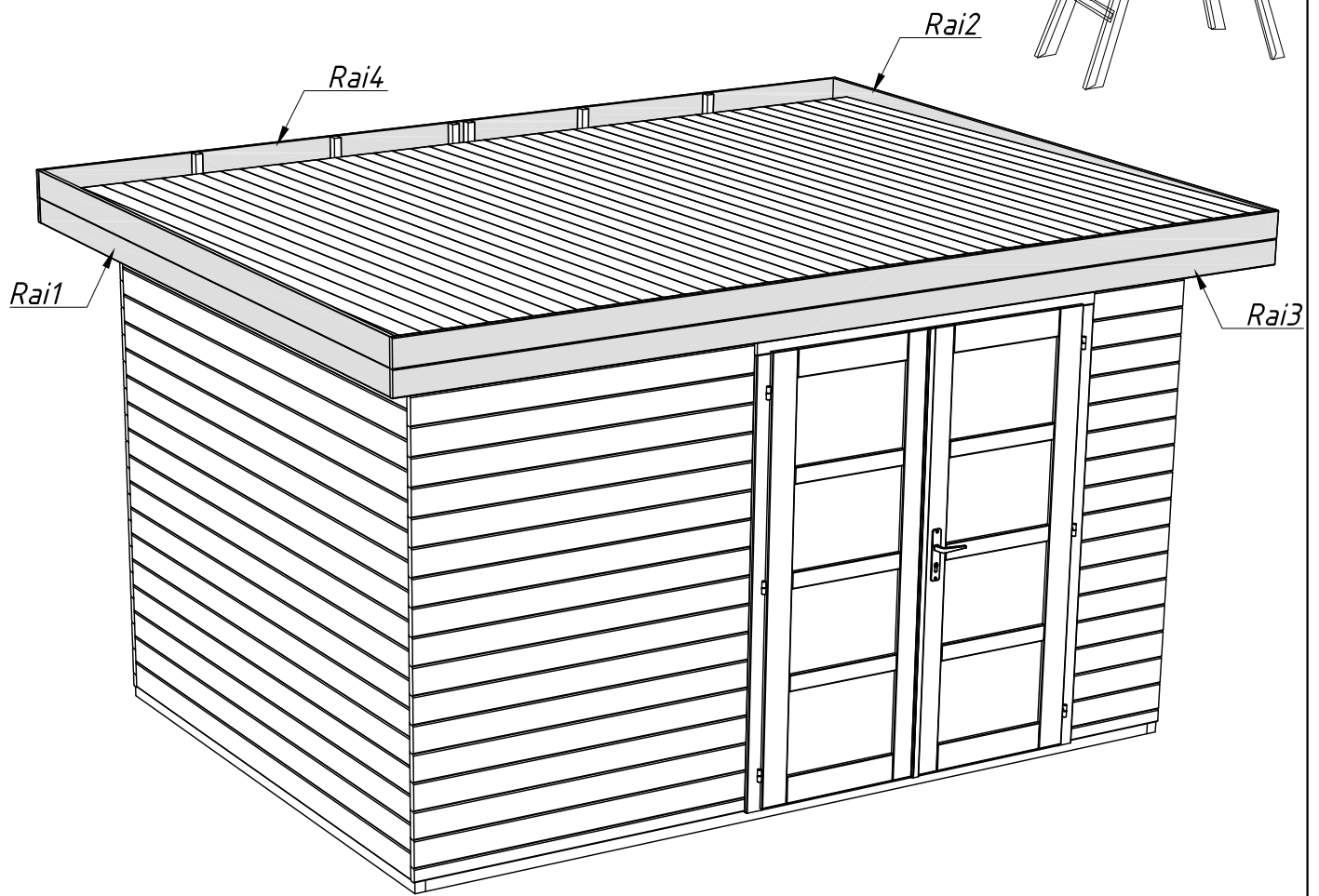
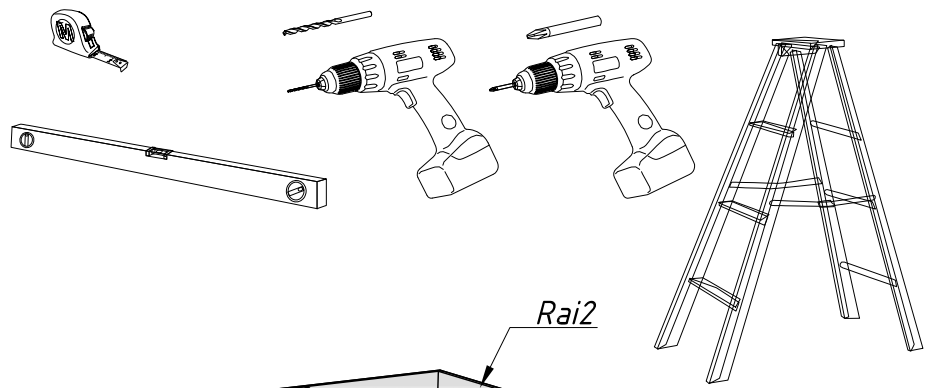
- | | | |
|--------|----|-----|
| SP1 | 5 | pcs |
| SP2 | 5 | pcs |
| SP3 | 6 | pcs |
| 4,5x70 | 12 | pcs |
| 5x90 | 25 | pcs |



RB-1 44 pcs
 RE1-1 2 pcs
 2,5x50 200 pcs
 3x30 12 pcs



- Rai1 2 pcs
- Rai2 2 pcs
- Rai3 2 pcs
- Rai4 2 pcs
- 4,5x50 92 pcs



- CoB1 2 pcs
- CoB2 2 pcs
- CoB3 4 pcs
- CoB4 2 pcs
- CoB5 2 pcs
- 3,5x40 80 pcs
- 4,5x50 32 pcs

