



Installation manual

Pavilion SAN DIEGO 3

Diameter Ø 337 cm

Log thickness 34 mm



The producer shall have the right to make technical changes to the product • Technische Änderungen vorbehalten • Le producteur réserve le droit d'effectuer des modifications techniques au produit • Il produttore mantiene il diritto di apportare modifiche tecniche al prodotto • Reservado el derecho a modificaciones técnicas • Valmistaja pidättää oikeuden tehdä tuotteeseen teknisiä muutoksia • Tillverkaren har rätt att utföra tekniska förändringar för produkten

1 General information



Dear client,

We are glad that you have decided in favour of our garden house!

Please read the assembly manual carefully before proceeding with the house installation! You will thus avoid problems and will not waste time.

Recommendations:

- Keep the house package until its complete assembly in a dry place, but not in direct contact with the ground, protected from weather conditions (moisture, the sun, etc.). Do not keep the house package in a heated room!
- When selecting the garden house location, make sure that the house will not be subjected to extreme weather conditions (areas of strong snowfall or winds); otherwise you should attach the house (for instance, with anchors) to the subsoil.



Warranty

Your house is made from high quality fir and delivered in the natural (unprocessed) form. If, despite our thorough inspection, you should have complaints, please submit the filled out control sheet and purchase invoice to the product seller.

ATTENTION: Please be sure to keep the documentation accompanying the house package! The control sheet includes the control number of the house. We can only review complaints if you submit the control number of the house to the seller!

The warranty does not cover:

- Peculiarities of wood as a natural material
- Wooden details already painted (processed with a wood preservative)
- Wooden details containing whole branches that do not endanger the stability of the house
- Colour tone variations caused by wood structure differences that do not influence wood lifetime
- Wooden details containing (caused by drying) small cracks/gaps that do not pass through and do not influence the structure of the house
- Twisted wooden details if they can nevertheless be installed
- Roof and floor boards that may have on their concealed surfaces some non-planed areas, colour differences and waning
- Complaints resulting from an incompetent manner of the installation of the house or the house subsiding due to an incompetently made foundation
- Complaints caused by introducing self-initiative changes to the house, such as the deformation of wooden details and doors/windows due to an incompetent manner of wood processing; the attachment of storm braces too rigidly, doorframes being screwed onto wall logs, etc.

The complaints covered by the warranty are satisfied to the extent of replacing the deficient/faulty material. All other demands will be excluded!



Garden house painting and maintenance

Wood is a natural material, growing and adapting depending on weather conditions. Large and small cracks, colour tone differences and changes, as well as a changing structure of wood are not errors, but a result of wood growing and a peculiarity of wood as a natural material.

Unprocessed wood (except for foundation joists) becomes greyish after having been left untouched for a while, and can be turn blue and become mouldy. To protect the wooden details of your garden house, you must immediately process them with a wood preservative.

We recommend that you cover the floor boards in advance with a colourless wood impregnation agent, especially the bottom sides of the boards, to which you will no longer have access when the house is assembled. Only this will prevent moisture penetration.

We definitely recommend that you also process the doors and windows with a wood impregnation agent, and do that namely both inside and outside! Otherwise the doors and windows can become twisted.

After the house assembly is completed, we recommend for the conclusive finishing a weather protection paint that will protect wood from moisture and UV radiation.

When painting, use high quality tools and paints, follow the paint application manual and manufacturer's safety and usage instructions. Never paint a surface in strong sunlight or rainy weather. Consult a specialist regarding paints suitable for unprocessed softwood and follow the paint manufacturer's instructions.

Having been properly painted, your garden house's lifetime will increase substantially. We recommend that you inspect the house thoroughly once every six months.

2 Preparation for assembly

Tools and preparation of components

To assemble the garden house, you will need the following tools:



assembly aid



ladder



hammer



water-level



screwdriver



saw



knife



measuring tape



pliers

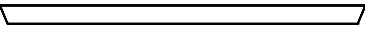
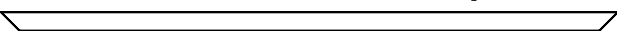
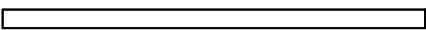
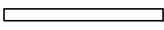

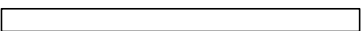
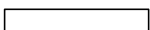
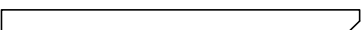

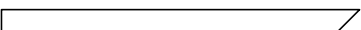
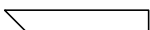
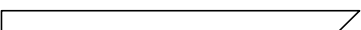
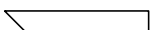
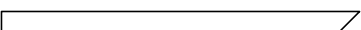

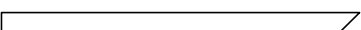
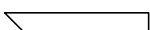
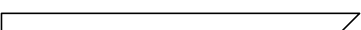





drill

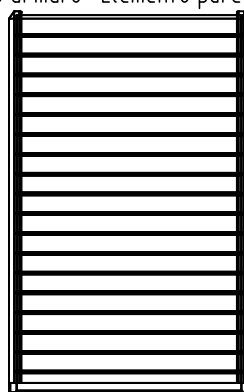
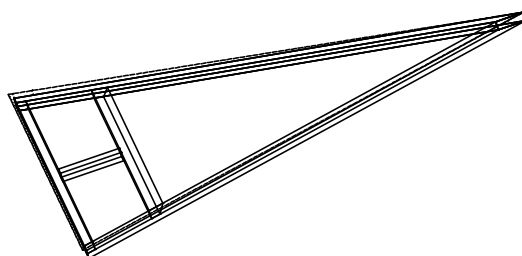
ADVICE: To avoid splinters, we recommend that you wear the corresponding protective gloves during the assembly process.



We wish you total success with the garden house installation and much joy with this house for many years to come!

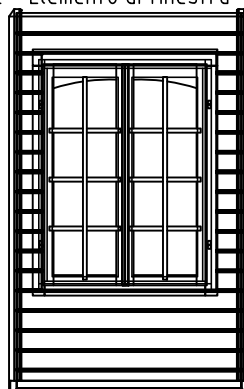
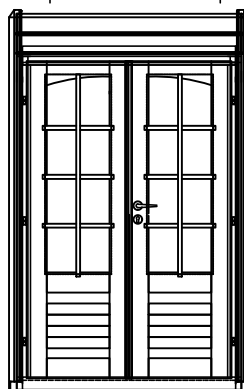
Pos	SPECIFICATION-STÜCKLISTE-NOMENCLATURE-ELEMENTI-ESPECIFICACIÓN "PAP34-3434-1"/"PAP34-3434-7"	Pcs	Profile (mm)	Length (mm)
1	Foundation- Fundament- Fondation- Fondazione- Vigas de cimentación 	8	45x70	1377
2	Foundation- Fundament- Fondation- Fondazione- Vigas de cimentación 	2	45x70	2321
3	Foundation- Fundament- Fondation- Fondazione- Vigas de cimentación 	6	45x70	1592
4	Foundation- Fundament- Fondation- Fondazione- Vigas de cimentación 	3	45x45	600
5	Floor board- Fussbodenbrett- Madrier du plancher - Tavola pavimento- Tabla de suelo 			
5.1		15	19x89	2287
5.2		15	19x89	1037
5.3		2	19x89	2287
5.4		2	19x89	1037
5.5		2	19x89	2219
5.6		2	19x89	970
5.7		2	19x89	2130
5.8		2	19x89	881
5.9		2	19x89	2041
5.10		2	19x89	792
5.11		2	19x89	1952
5.12		2	19x89	703
5.13		2	19x89	1862
5.14		2	19x89	614
5.15		2	19x89	2298
5.16		2	19x89	2120
5.17		2	19x89	1942
5.18		2	19x89	1764
5.19		2	19x89	1586
5.20		2	19x89	1408
6	Fitting slat- Montagebrett- Tableau de montage- Tavola di montaggio- Tabla de montaje 	3	8x16	1200

Pos	SPECIFICATION-STÜCKLISTE-NOMENCLATURE-ELEMENTI-ESPECIFICACIÓN "PAP34-3434-1"/"PAP34-3434-7"	Pcs	Profile (mm)	Length (mm)
7	Floor beading- Fussbodenleiste- Baguette du plancher- Listello pavimento- Listón de suelo			
		7	19x40	1254
8	Wall batten- Wandleiste- Baguette du mur- Listello di muro- Liston de pared			
		8+8	19x85	2168
9	Roof support brace- Dachstützleiste- Baguette de support de toit- Listello supporto tetto- Listón soporte tejado			
		8	19x95	1254
10	Eave edging- Dachrandbrett- Madrier en bordure du toit- Tavola bordo tetto- Tabla de valadizo			
		8	19x95	1682
11	Roof element- Dachelement- Panneau de toit- Elemento di tetto- Elemento tejado			
		8	61x1640	2474
12	Wall element- Wandelement- Panneau du mur- Elemento di muro- Elemento pared			
		3	70x1394	2212
		0		
13	Door element- Türelement- Panneau du porte- Elemento di porta- Elemento puerta			
		1	70x1394	2212
14	Window element- Fensterelement- Panneau de la fenêtre- Elemento di finestra- Elemento ventana			
		4	70x1394	2212
		7		
15	Roof cap- Dachkappe- Finition métallique- Finitura di tetto- Caballete de tejado			
		1		



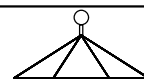
Veronica_4_9.2

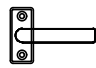





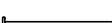
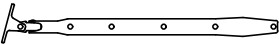









Veronica_7_9.2

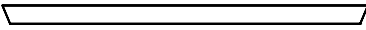
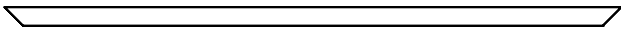
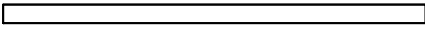
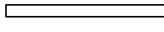

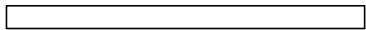

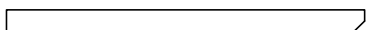

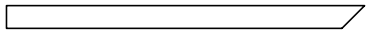
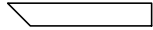
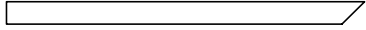
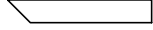
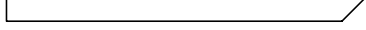
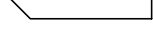
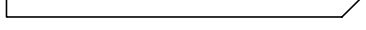
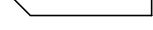

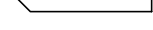
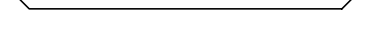




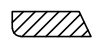


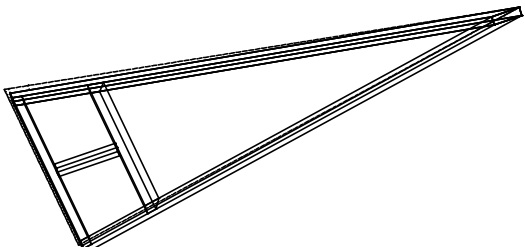
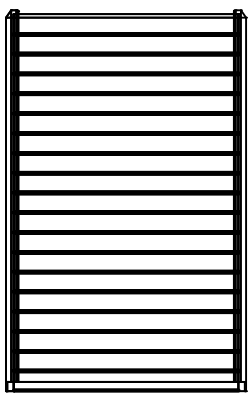
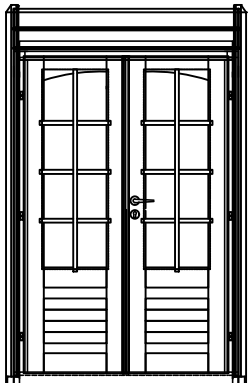
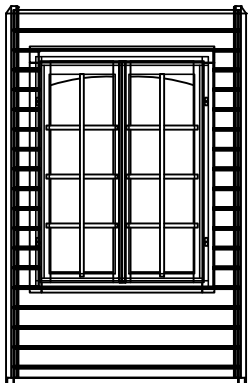
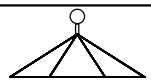
Veronica_4_9.2

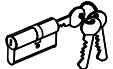
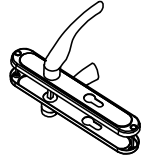
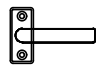





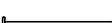
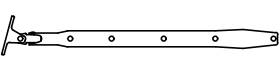





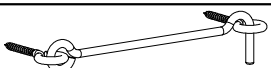

Veronica_7_9.2

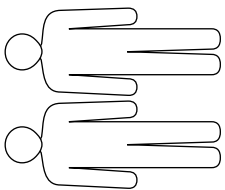


Pos	SPECIFICATION-STÜCKLISTE-NOMENCLATURE-ELEMENTI-ESPECIFICACIÓN "PAP34-3434-1"/"PAP34-3434-7"	Pcs	Profile (mm)	Length (mm)	
16	Fixing kit- Befestigungsset- Moyens de fixation- Materiale di fissaggio- Kit de fijación	1			
QULSy damik 30/40	Cylinder- Zylinderschloss- Serrure a mortaiser- Serratura a cilindro- Bombin- 30.40	1			
QULlink jakate	Dörrbeslag- Ovihelat	1			
QALLi nkHOBE	Window fittings- Fenstergriff- Poigne de la fenêtre- Maniglia finestra- Manilla (ventana)	Veronica_4_9.2 Veronica_7_9.2		8 14	
QKR4 5x50Zn	Screw- Schraube- Vis- Vite- Tornillo- 4.5x50mm			160	
QKR4 5x70Zn	Screw- Schraube- Vis- Vite- Tornillo- 4.5x70mm			68	
QKR5 x90Zn	Screw- Schraube- Vis- Vite- Tornillo- 5x90mm	Veronica_4_9.2 Veronica_7_9.2		60 72	
QKR6x 120Zn	Screw- Schraube- Vis- Vite- Tornillo- 6x120mm			22	
QNA1 4x40M	Nail- Nagel- Clou- Chiodo- Clavo- 1.4x40mm			28	
QNA2 2x50Zn	Nail- Nagel- Clou- Chiodo- Clavo- 2.5x50mm			300	
QAF240Zn	Window stop- Fensterfeststelle- Crémaillere- Fissativo finestra- Fijador de ventana- QAF240Zn	Veronica_4_9.2 Veronica_7_9.2		8 14	
QServa riiv astus120	Keeper- Schliessblech- Tole- Lamiera- Aldaba de candado			1	
QKR2_5 x16kZn	Screw- Schraube- Vis- Vite- Tornillo- 2.5x16mm			2	
QKR3 x20Zn	Screw- Schraube- Vis- Vite- Tornillo- 3x20mm	Veronica_4_9.2 Veronica_7_9.2		84 132	
QTP5_ 5x9Li imPR-2	Seal- Gummidichtung- Joint d'isolation- Guarnizione- Burlete- QTP5_5x9LiimPR	Veronica_4_9.2 Veronica_7_9.2	 	1 1	8000 8000
QTP5_ 5x9Li imPR-2	Seal- Gummidichtung- Joint d'isolation- Guarnizione- Burlete- QTP5_5x9LiimPR	Veronica_4_9.2 Veronica_7_9.2	 	4 7	7000 7000
QHaak1 50mmZn	Hook- Haken- Crochet- Ganzio- Pestillo QHaak150mmZn		 	2	Door+Wall

Pos	SPECIFIKATION - MÄÄRITYS "PAP34-3434-1"/"PAP34-3434-7"	Pcs	Profile (mm)	Length (mm)
1	Grund-Perustus 	8	45x70	1377
2	Grund-Perustus 	2	45x70	2321
3	Grund-Perustus 	6	45x70	1592
4	Grund-Perustus 	3	45x45	600
5	Golvbräda- Lattialauta 			
5.1		15	19x89	2287
5.2		15	19x89	1037
5.3		2	19x89	2287
5.4		2	19x89	1037
5.5		2	19x89	2219
5.6		2	19x89	970
5.7		2	19x89	2130
5.8		2	19x89	881
5.9		2	19x89	2041
5.10		2	19x89	792
5.11		2	19x89	1952
5.12		2	19x89	703
5.13		2	19x89	1862
5.14		2	19x89	614
5.15		2	19x89	2298
5.16		2	19x89	2120
5.17		2	19x89	1942
5.18		2	19x89	1764
5.19		2	19x89	1586
5.20		2	19x89	1408
6	Passbit- Asennuslista 	3	8x16	1200

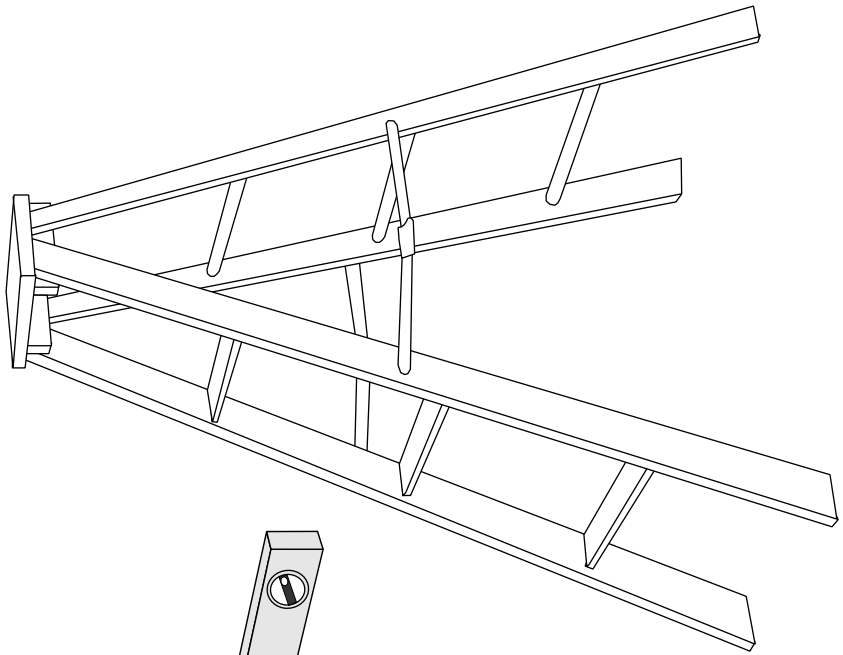
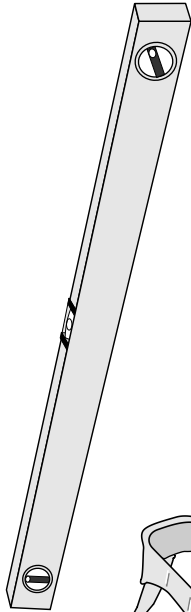
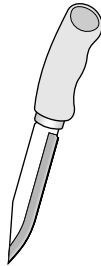
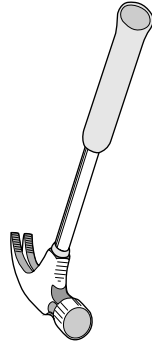
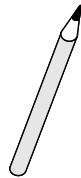
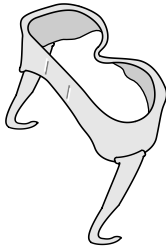
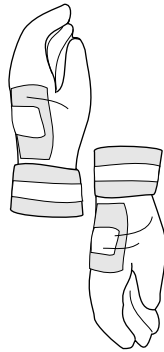
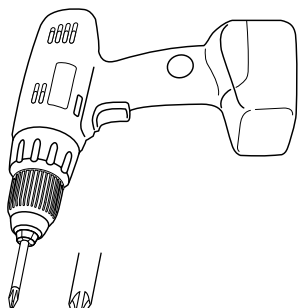
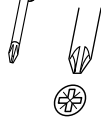
Pos	SPECIFIKATION - MÄÄRITYS "PAP34-3434-1"/"PAP34-3434-7"		Pcs	Profile (mm)	Length (mm)
7	Golvlister- Lattialista		7	19x40	1254
8	Spikläkt- Seinärima		8+8	19x85	2168
9	Takstol- Katon jäykistystuki		8	19x95	1254
10	Takfotsbräda- Räystään reuna		8	19x95	1682
11	Takelement- Kattoelementti		8	61x1640	2474
12	Väggelement- Seinäelementti	 Veronica_4_9.2 Veronica_7_9.2	3 0	70x1394	2212
13	Dörrelement- Ovielementti		1	70x1394	2212
14	Fönsterelement- Ikkunaelementti	 Veronica_4_9.2 Veronica_7_9.2	4 7	70x1394	2212
15	Takåstäckning- Tuuletusputken hattu		1		

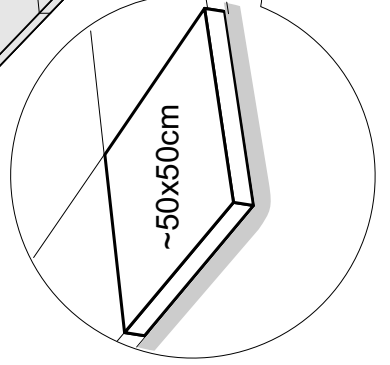
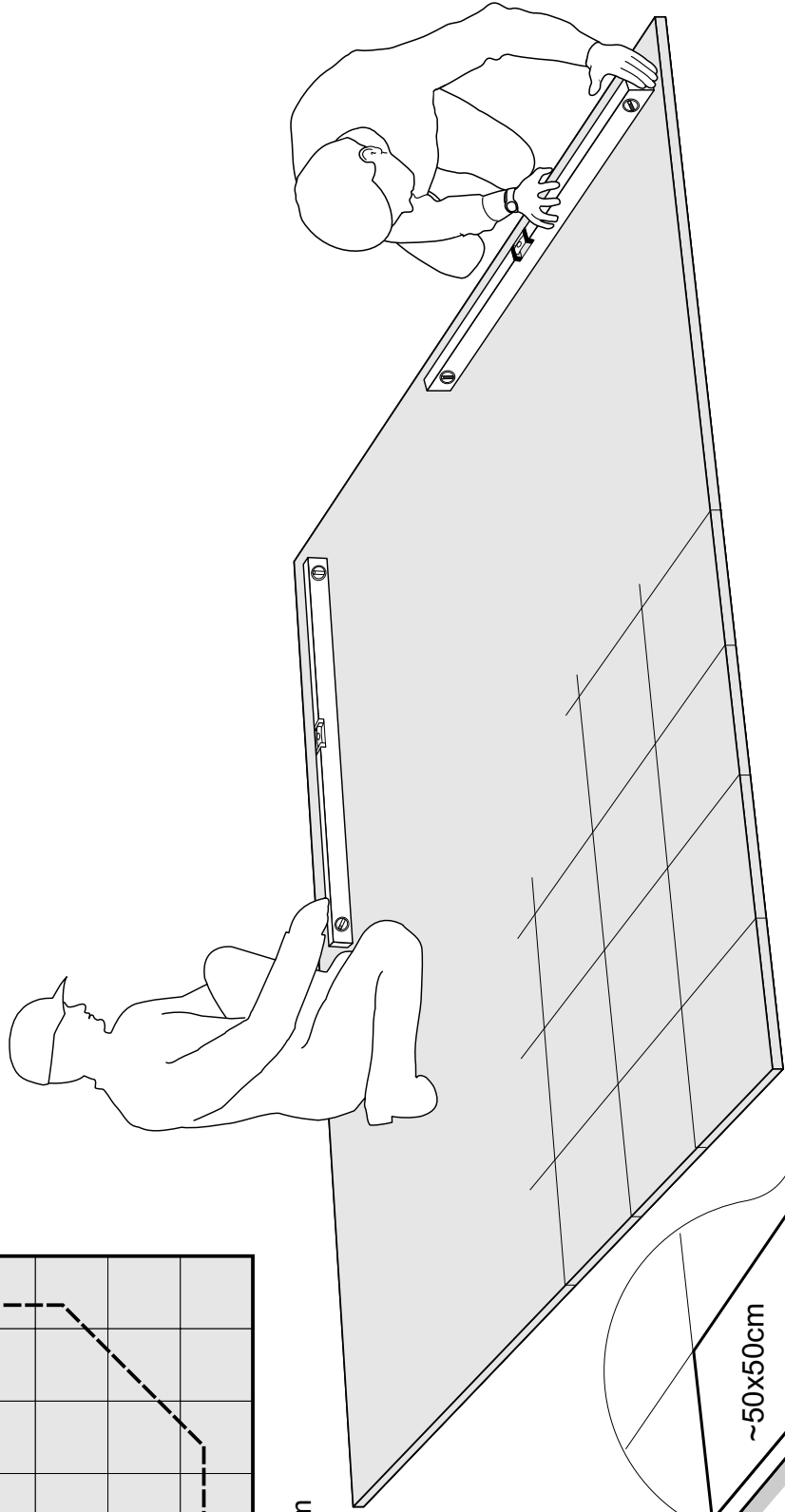
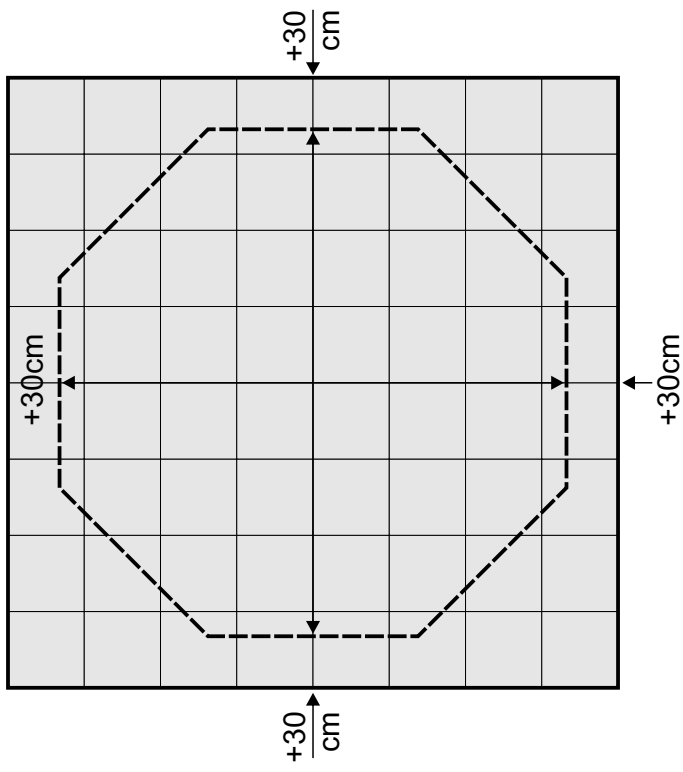
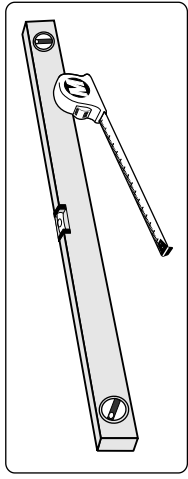
Pos	SPECIFIKATION - MÄÄRITYS "PAP34-3434-1"/"PAP34-3434-7"	Pcs	Profile (mm)	Length (mm)
16	Infästningssats- Kiinnityssarja	1		
QULSy damik 30/40	Cylinder- Sylinteri		1	
QULLink jakate	Dörrbeslag- Ovihelat		1	
QALLi nkHOBE	Fönsterbeslag- Ikkunahelat	Veronica_4_9.2 Veronica_7_9.2 	8 14	
QKR4 5x50Zn	Skruv- Ruuvi 4.5x50mm		160	
QKR4 5x70Zn	Skruv- Ruuvi 4.5x70mm		68	
QKR5 x90Zn	Skruv- Ruuvi 5x90mm	Veronica_4_9.2 Veronica_7_9.2 	60 72	
QKR6x 120Zn	Skruv- Ruuvi 6x120mm		22	
QNA1 4x40M	Spik- Naula 1.4x40mm		28	
QNA2 2x50Zn	Spik- Naula 2.5x50mm		300	
QAF240Zn	Fönsterstopp- Ikkunan rajoitin	Veronica_4_9.2 Veronica_7_9.2 	8 14	
QServa riiviv astus120	Hållare- Pidike		1	
QKR2_5 x16kZn	Skruv- Ruuvi 2.5x16mm		2	
QKR3 x20Zn	Skruv- Ruuvi 3x20mm	Veronica_4_9.2 Veronica_7_9.2 	84 132	
QTP5_5 x9Li imPR-2	Tiiviste- Tätning- QTP5_5x9LiimPR	Veronica_4_9.2 Veronica_7_9.2 	1 1	8000 8000
QTP5_5 x9Li imPR-2	Tiiviste- Tätning- QTP5_5x9LiimPR	Veronica_4_9.2 Veronica_7_9.2 	4 7	7000 7000
QHaak1 50mmZn	Krok- Koukku	 	2	Dörr+Vägg Ovi+Seinä

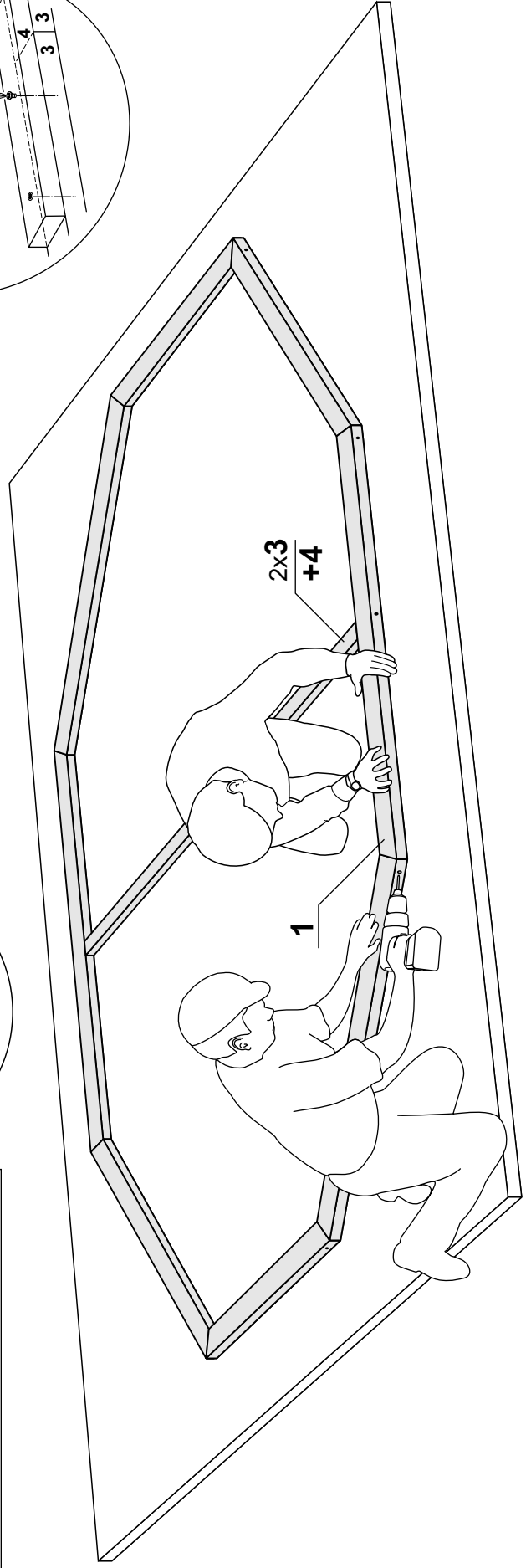
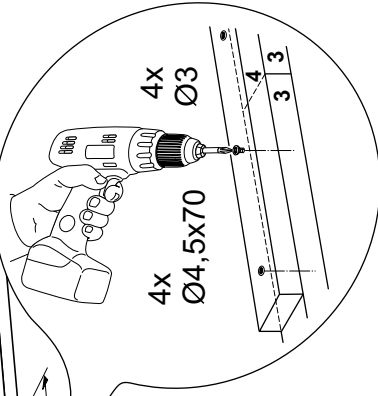
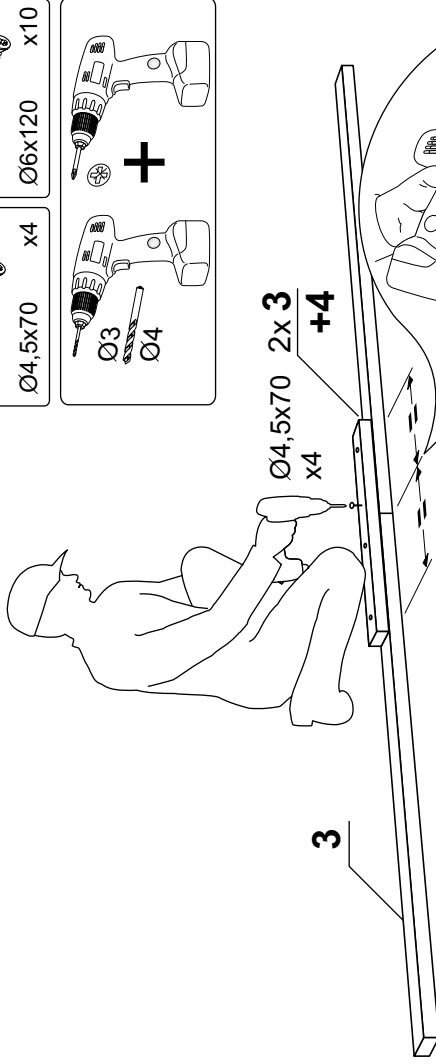
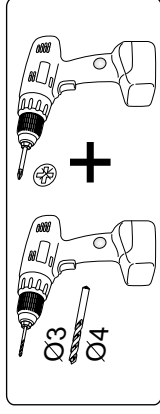
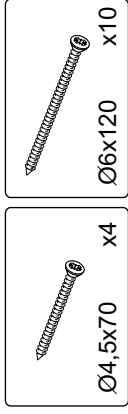
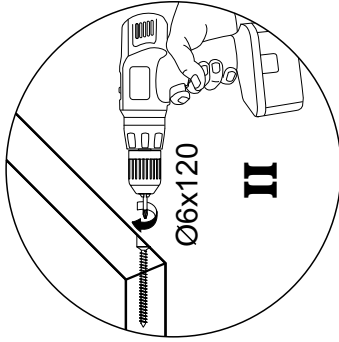
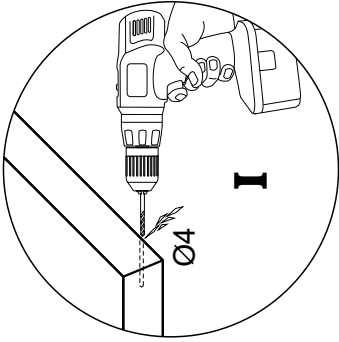
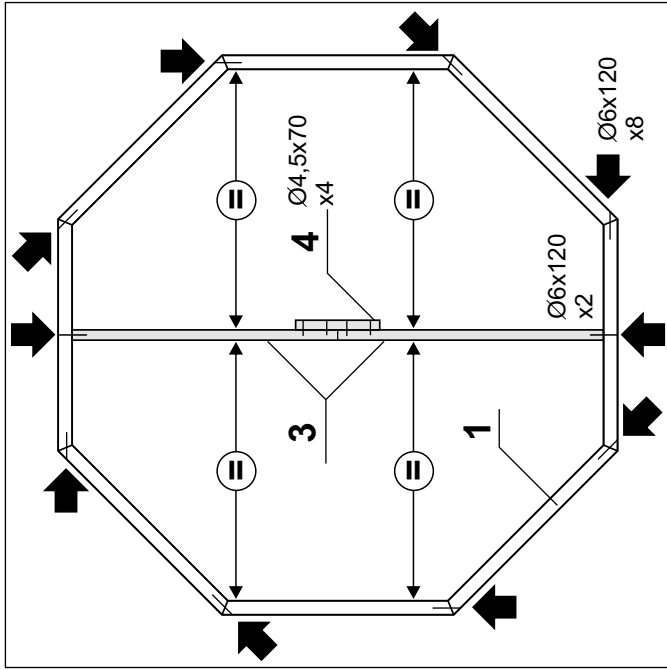


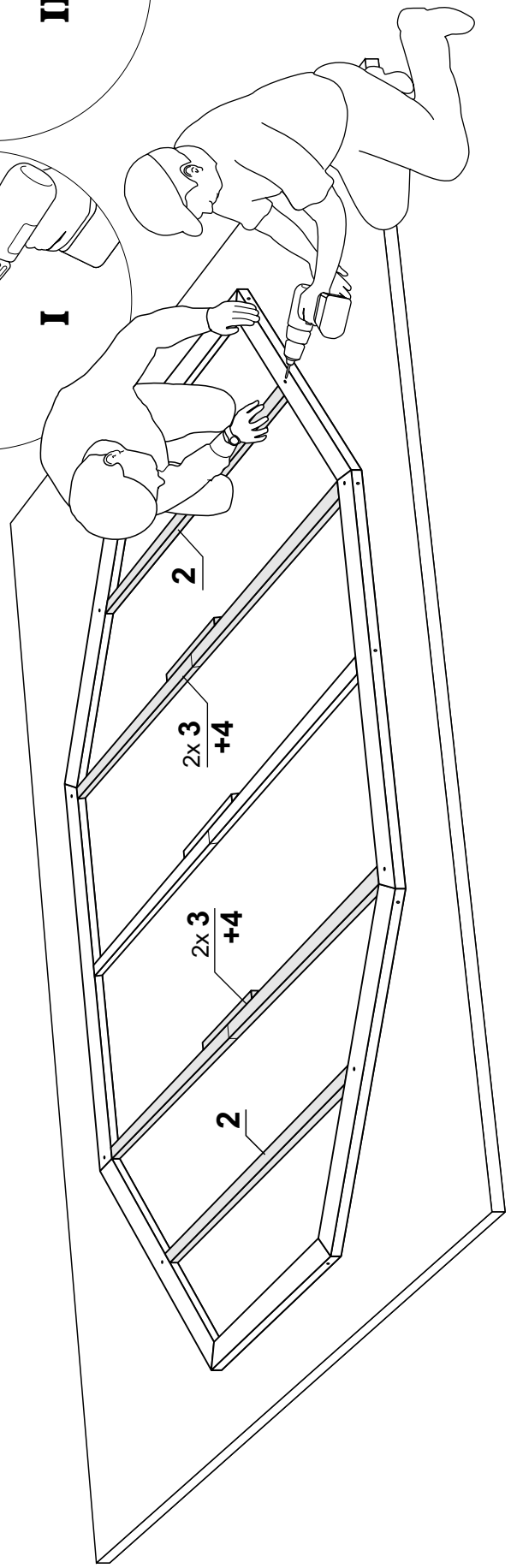
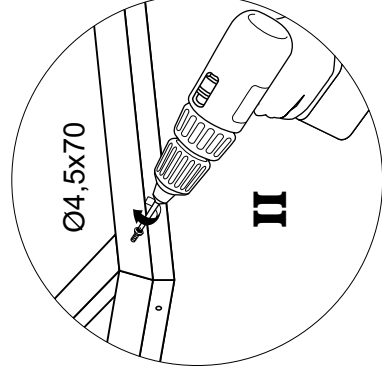
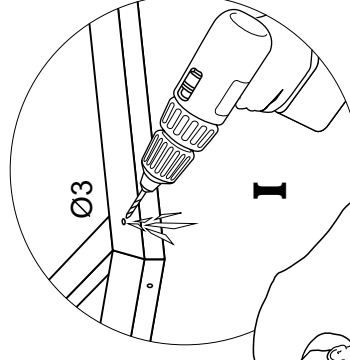
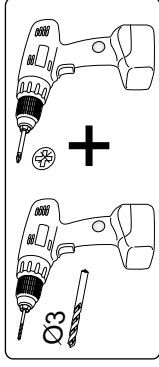
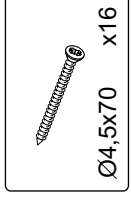
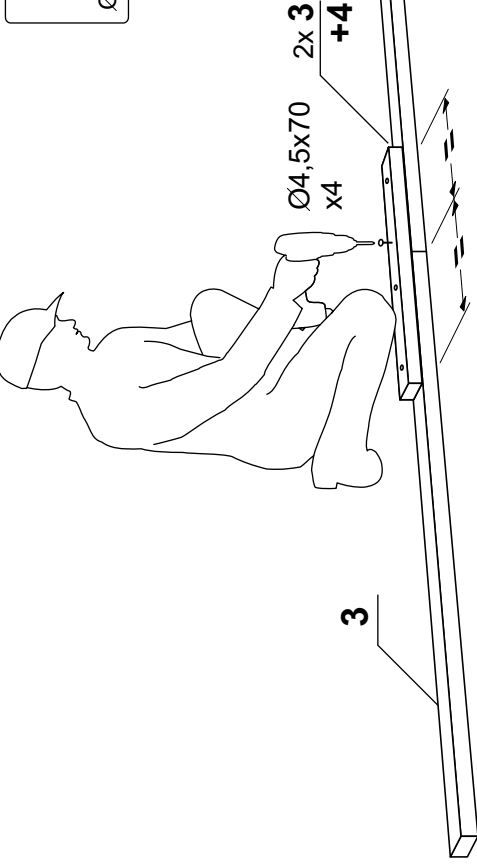
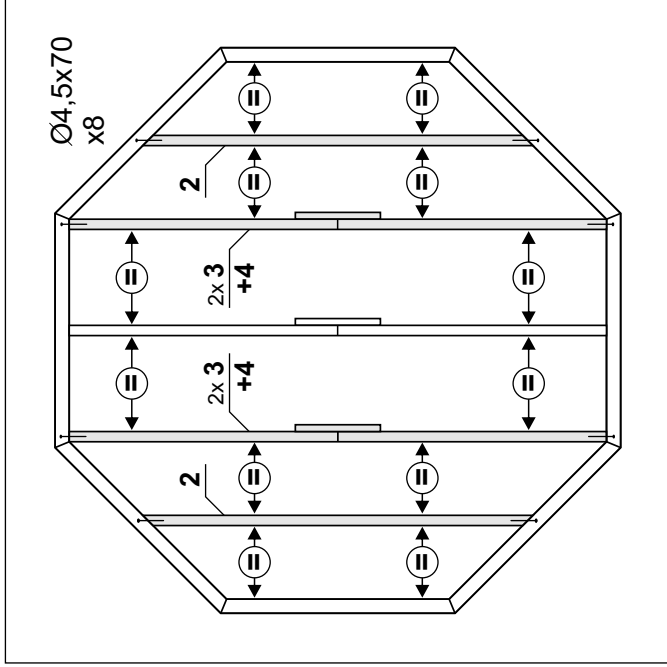
Ø4

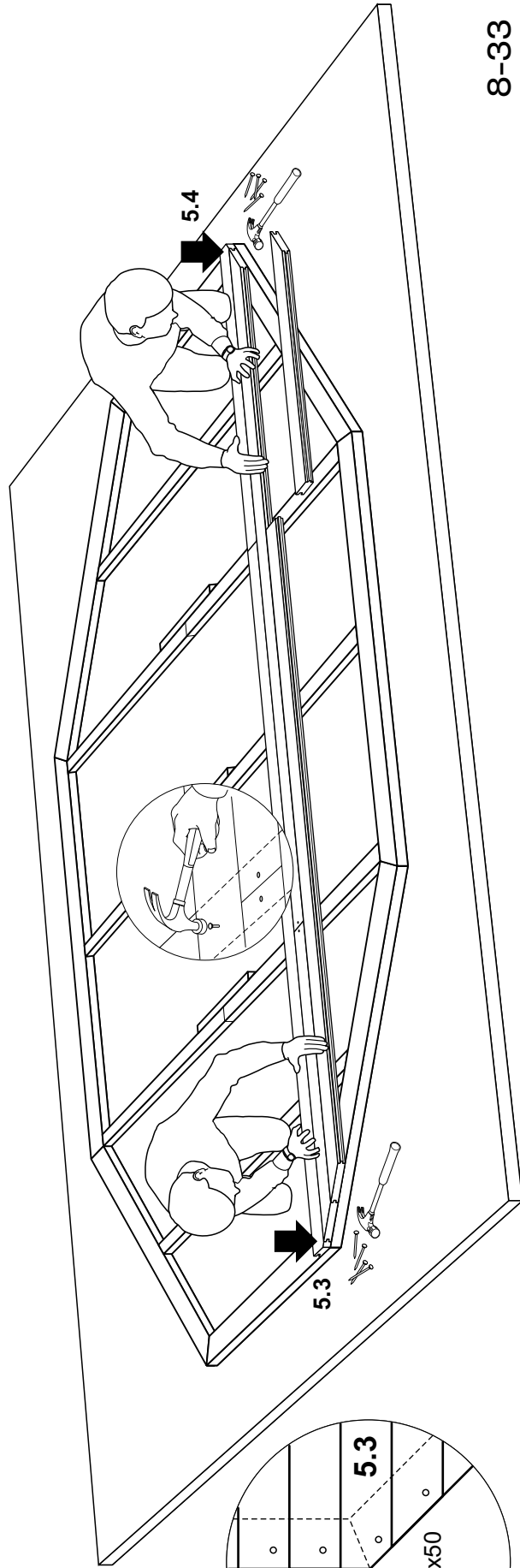
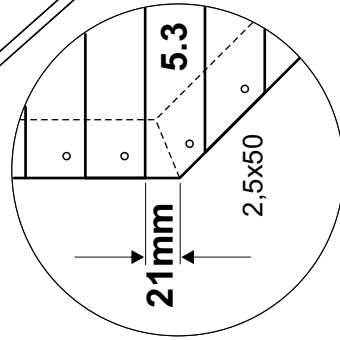
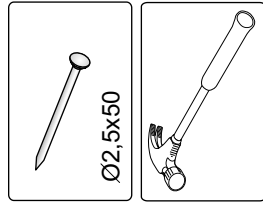
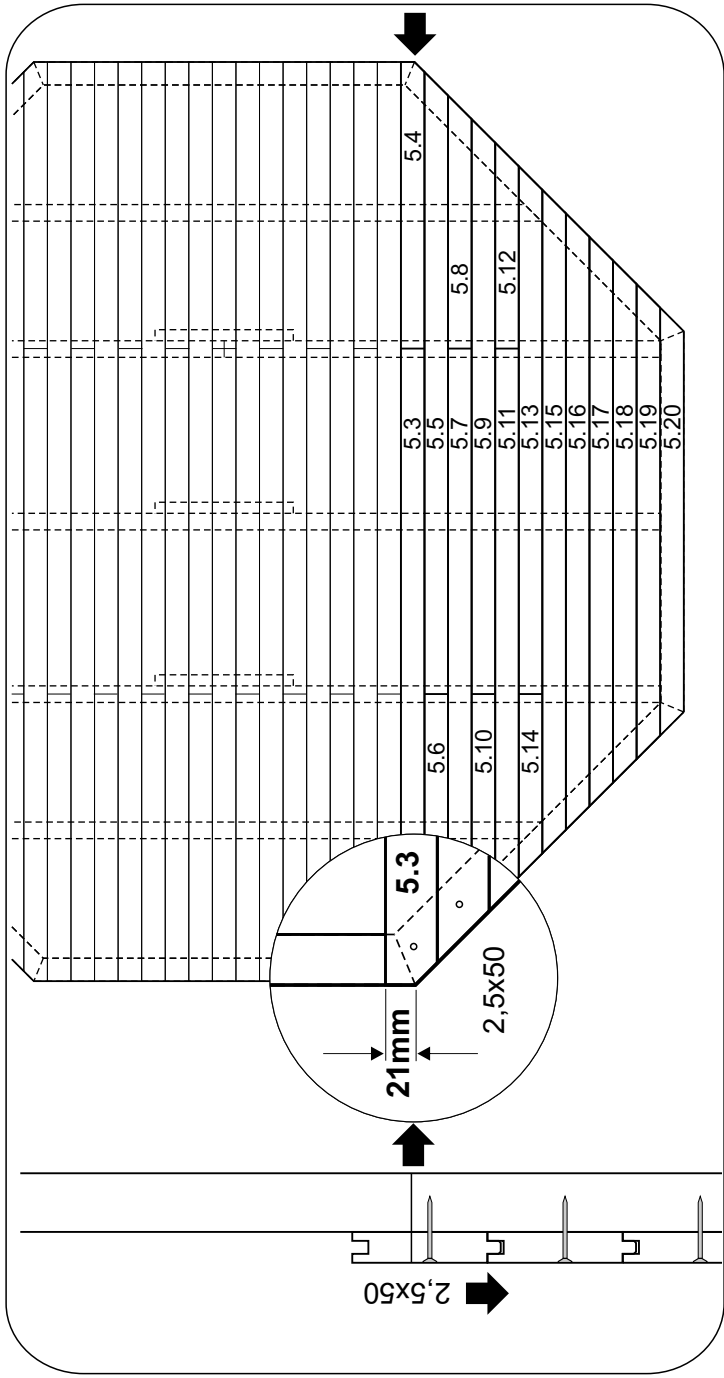
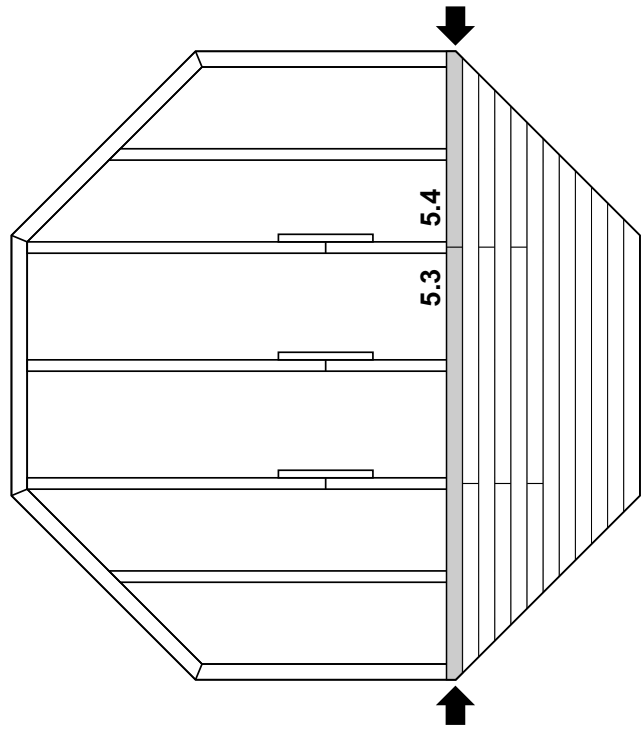
Ø3

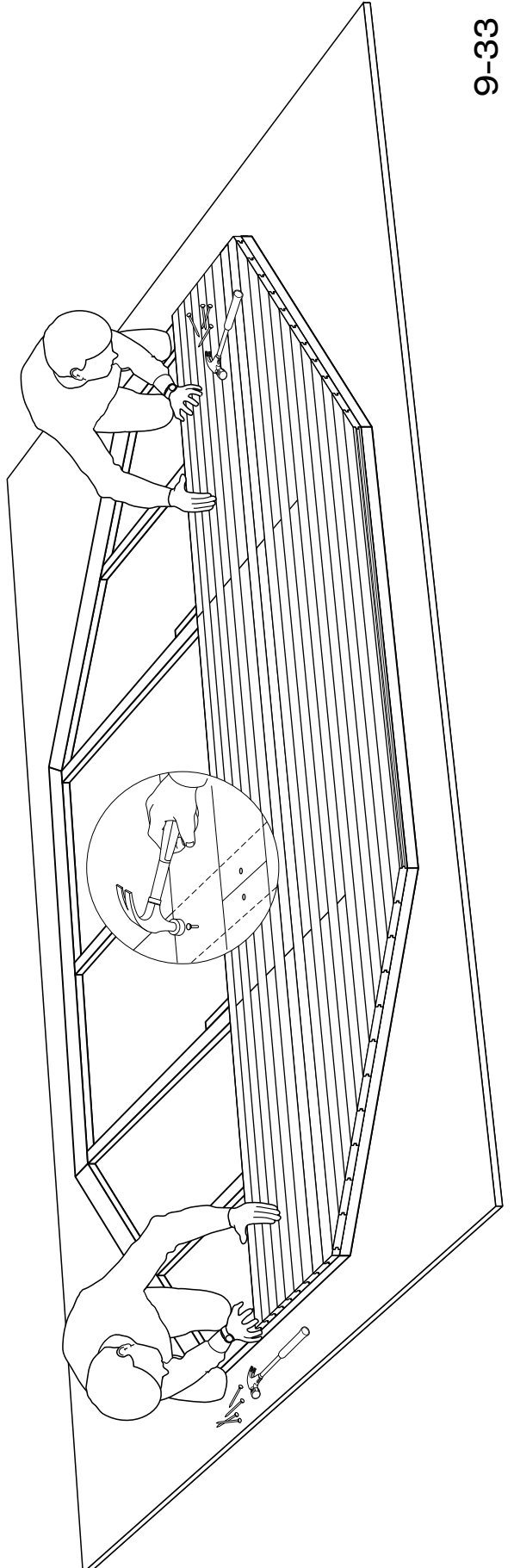
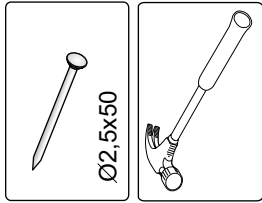
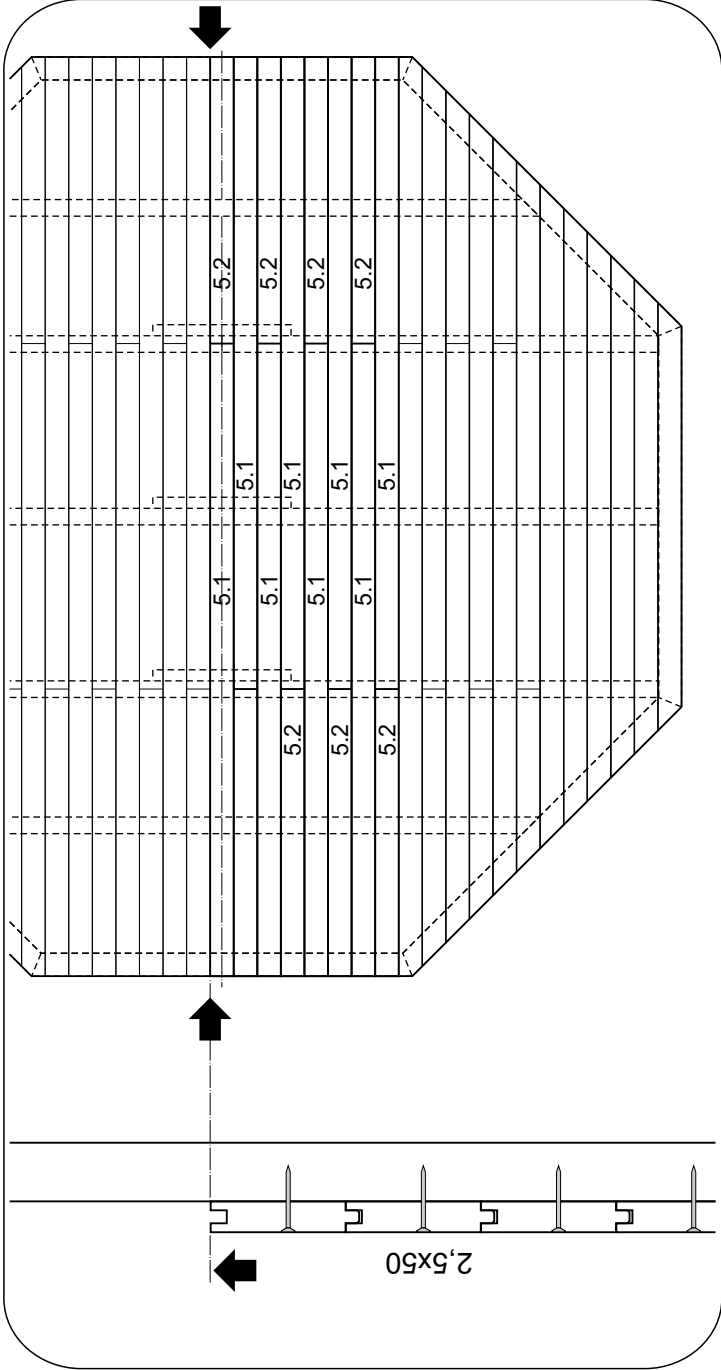
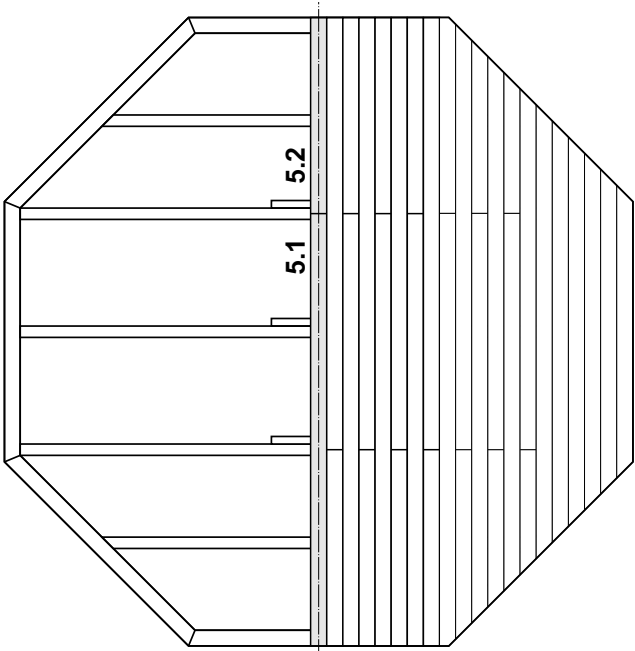


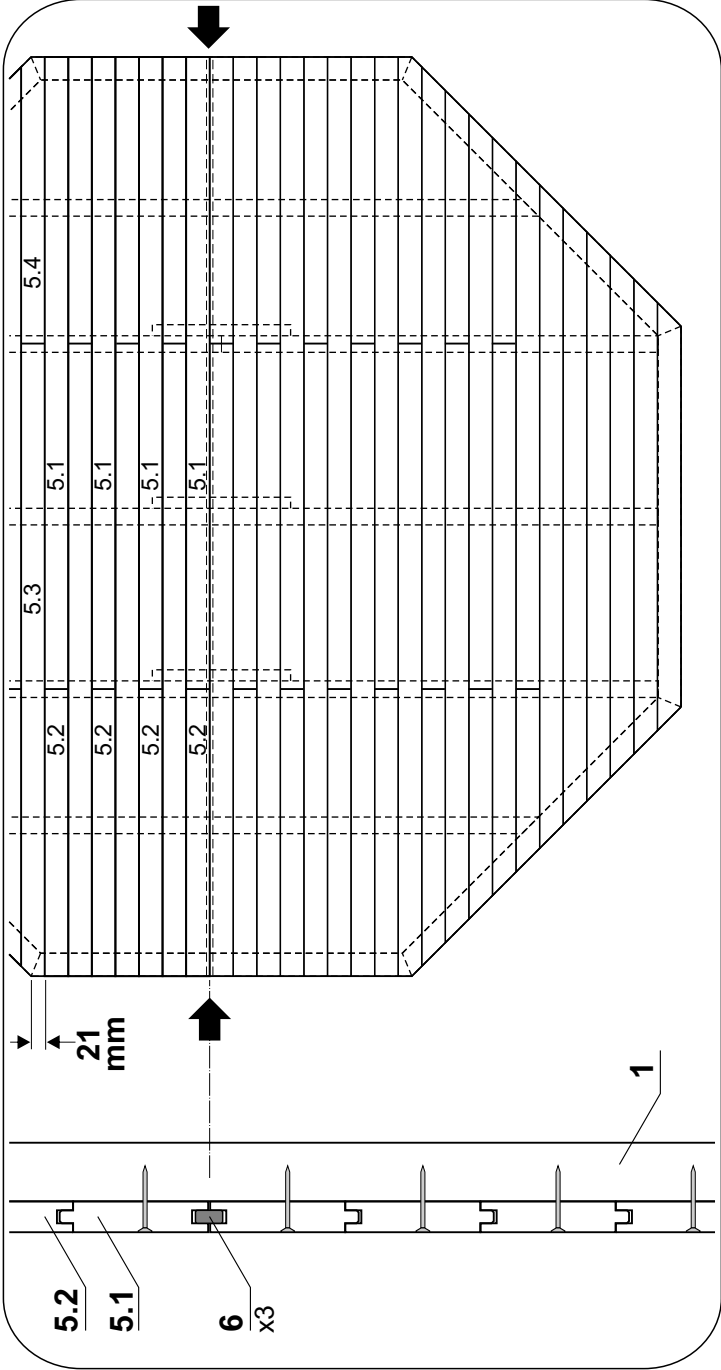
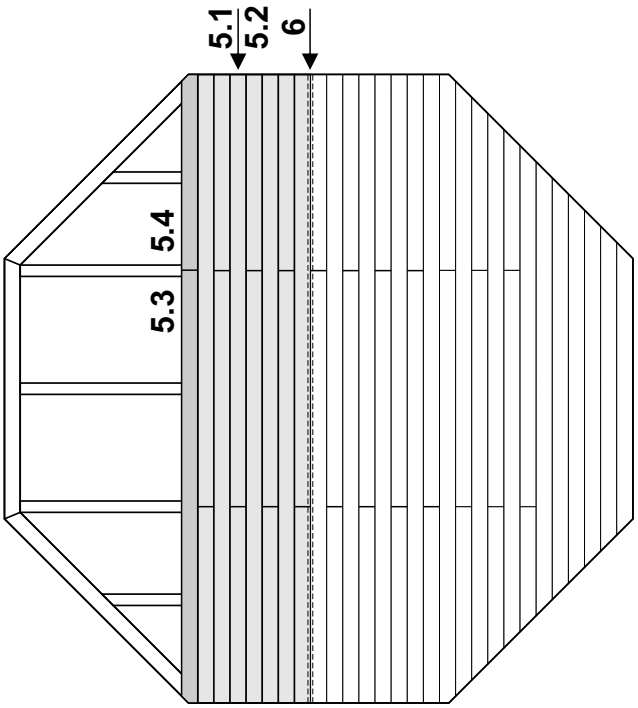




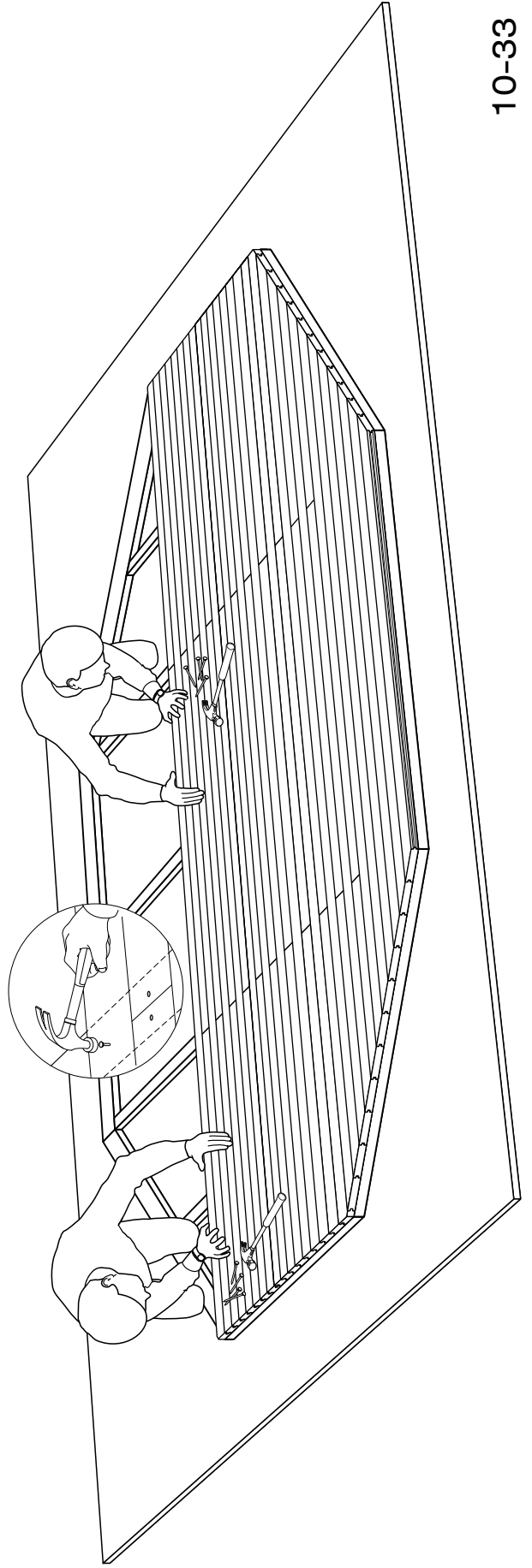
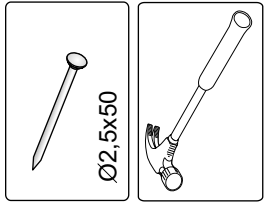


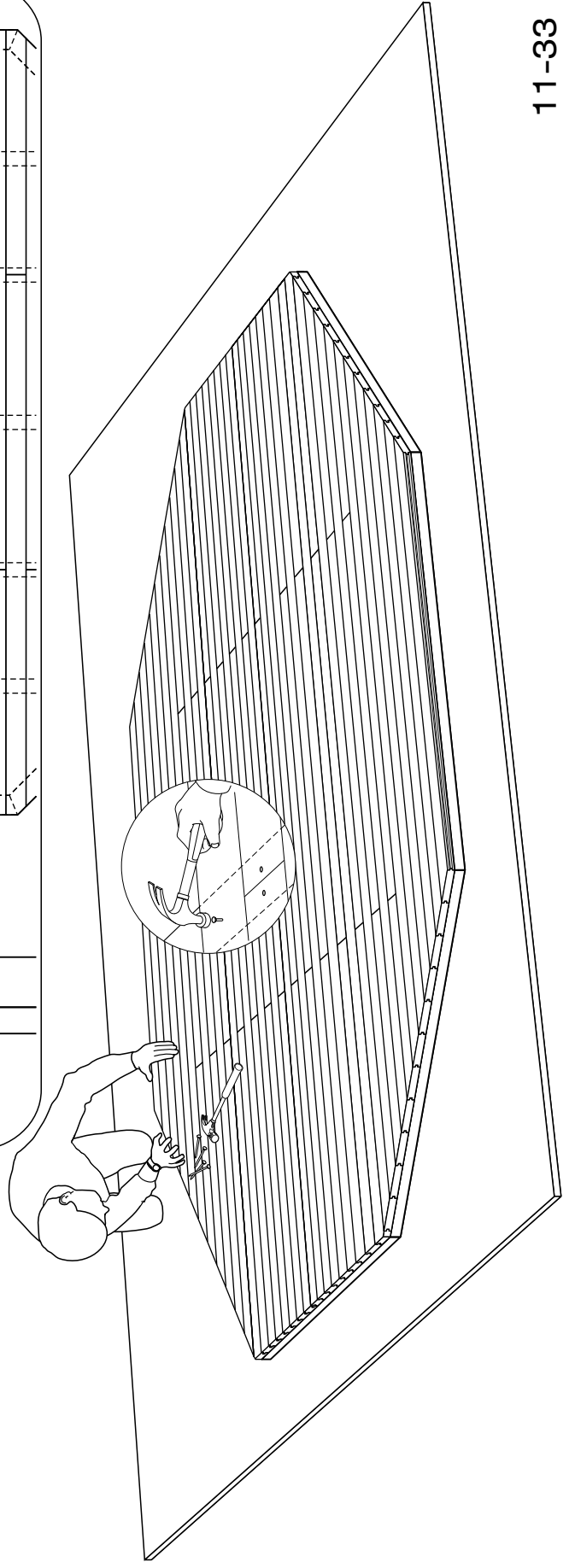
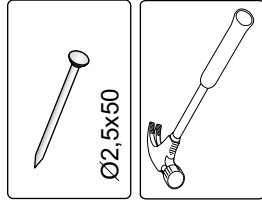
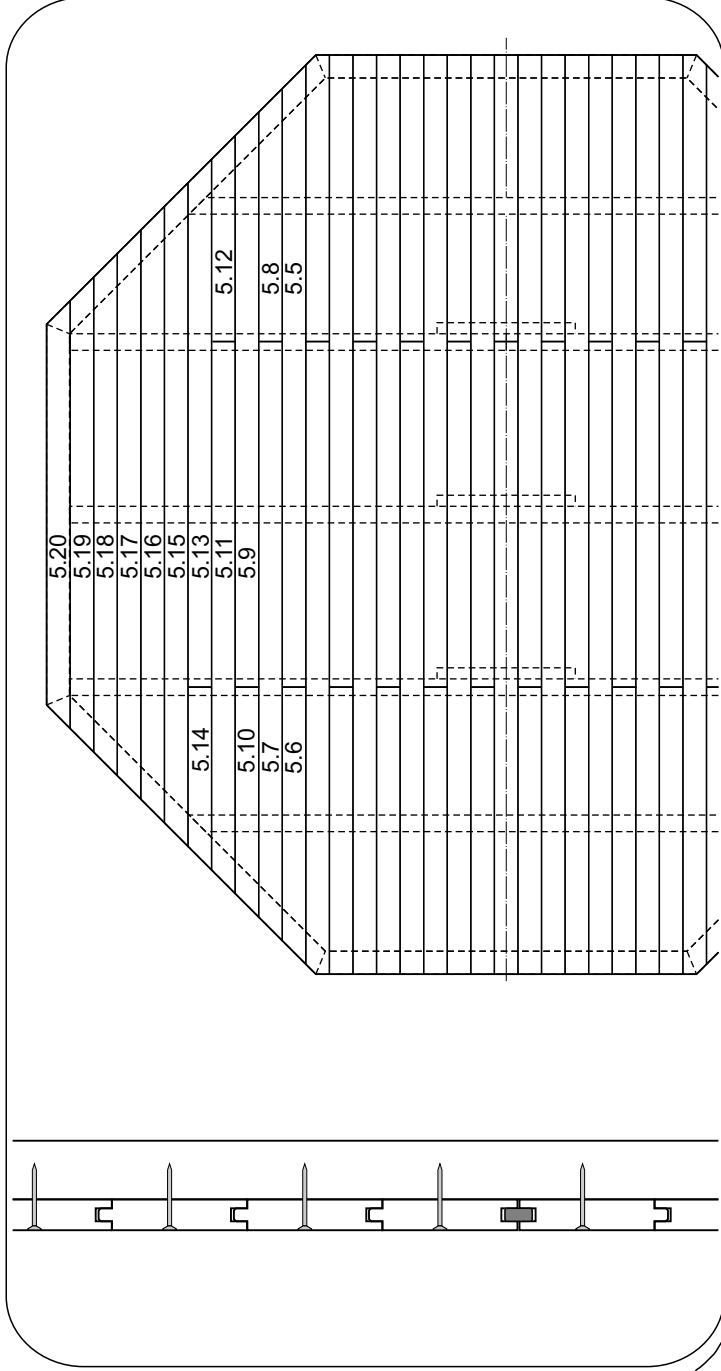
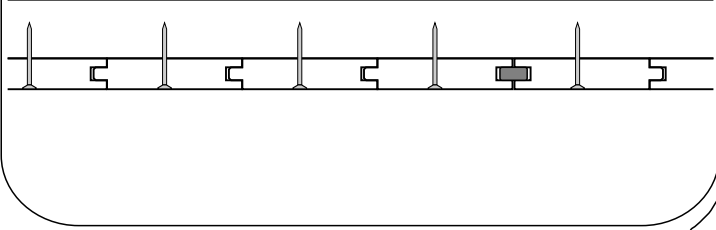
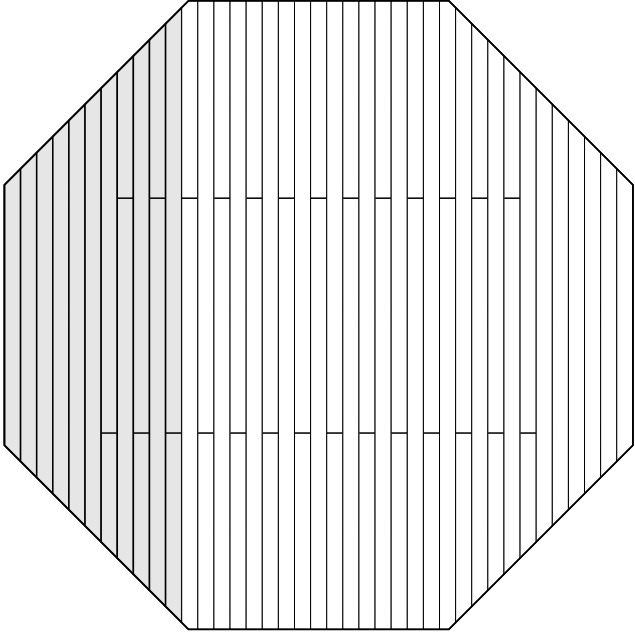


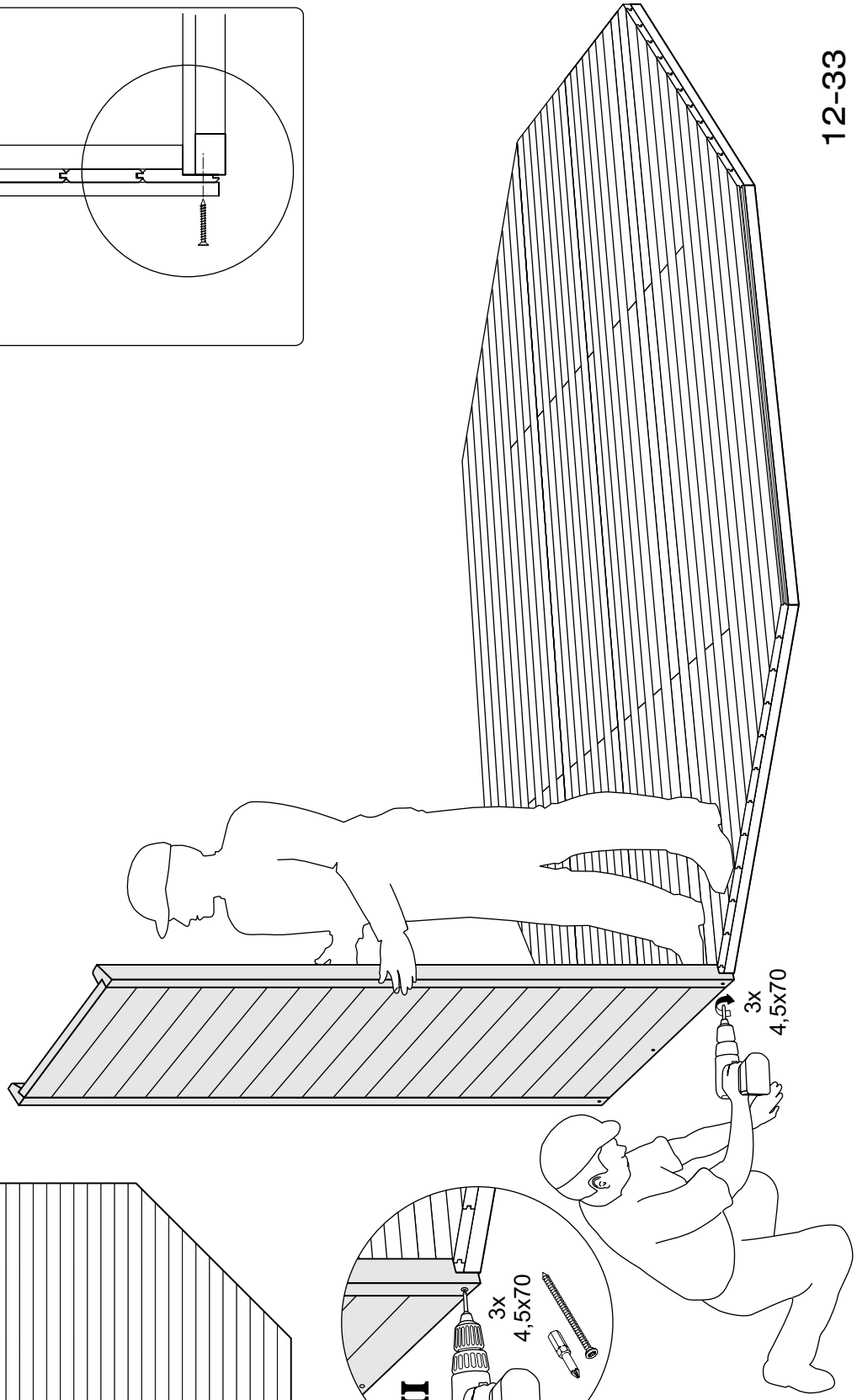
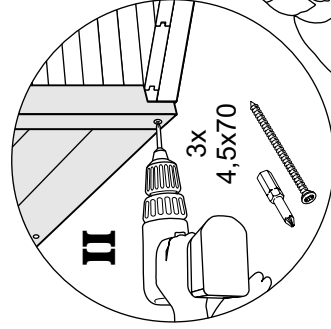
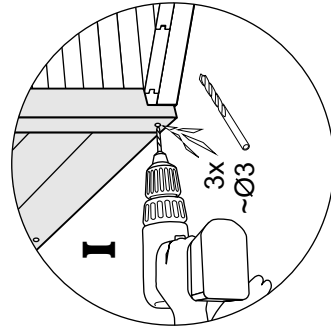
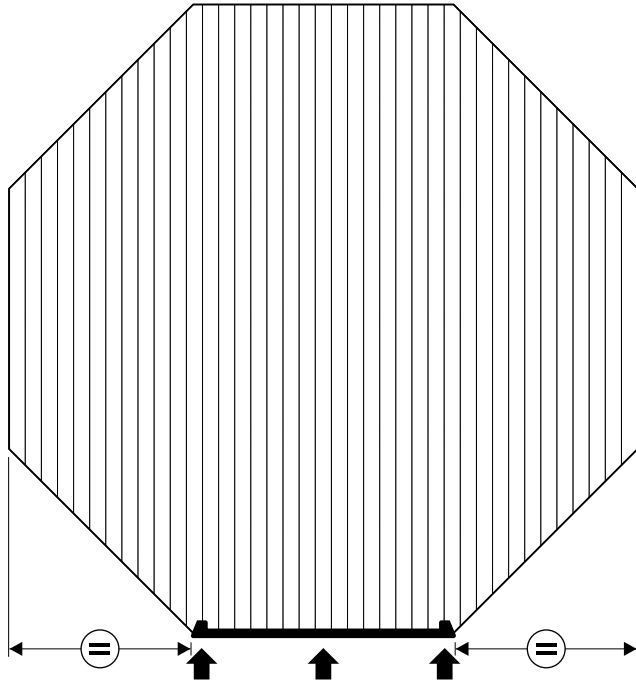
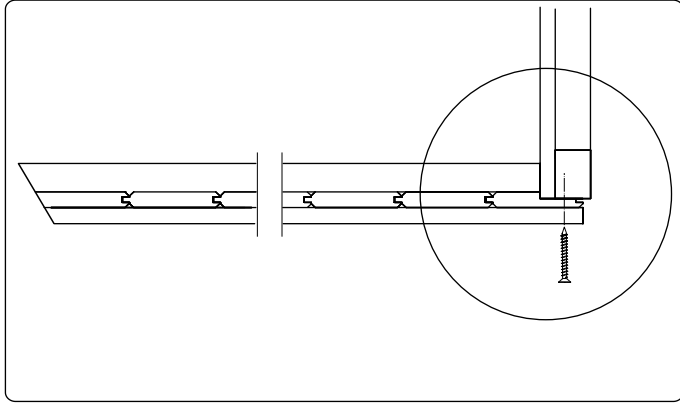
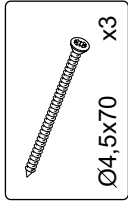
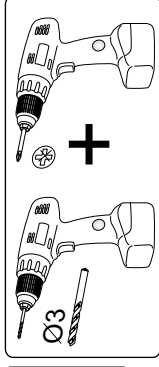


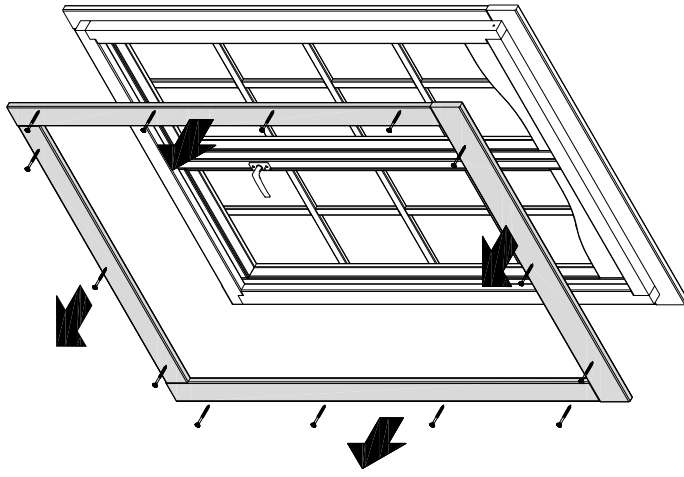


5.2
5.1
6
x3

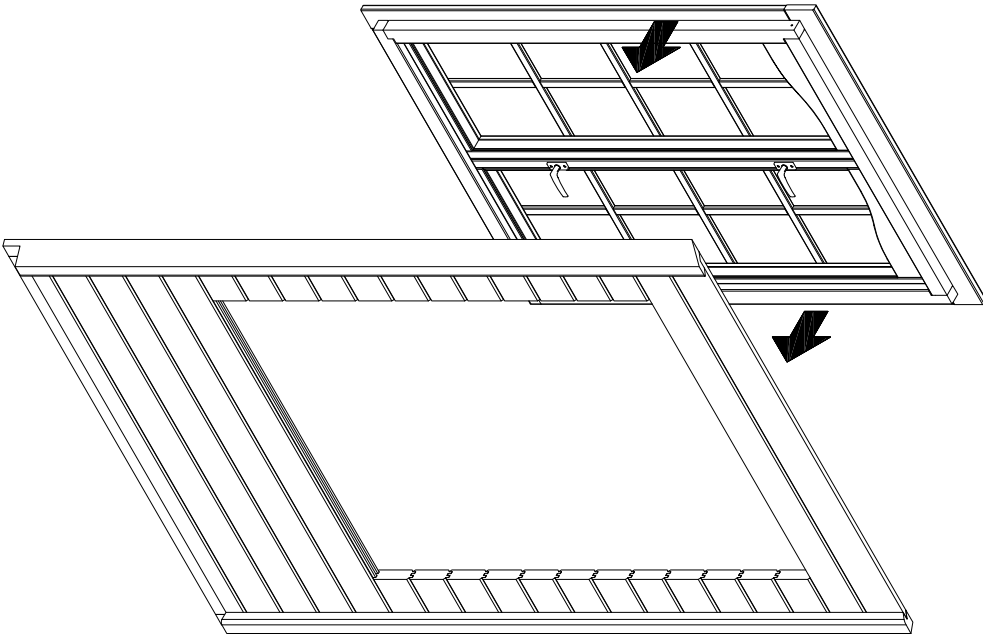




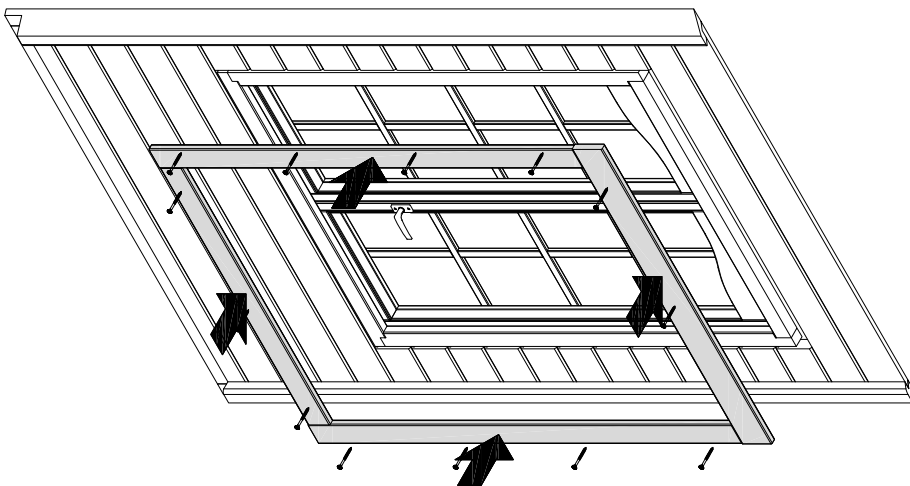




1

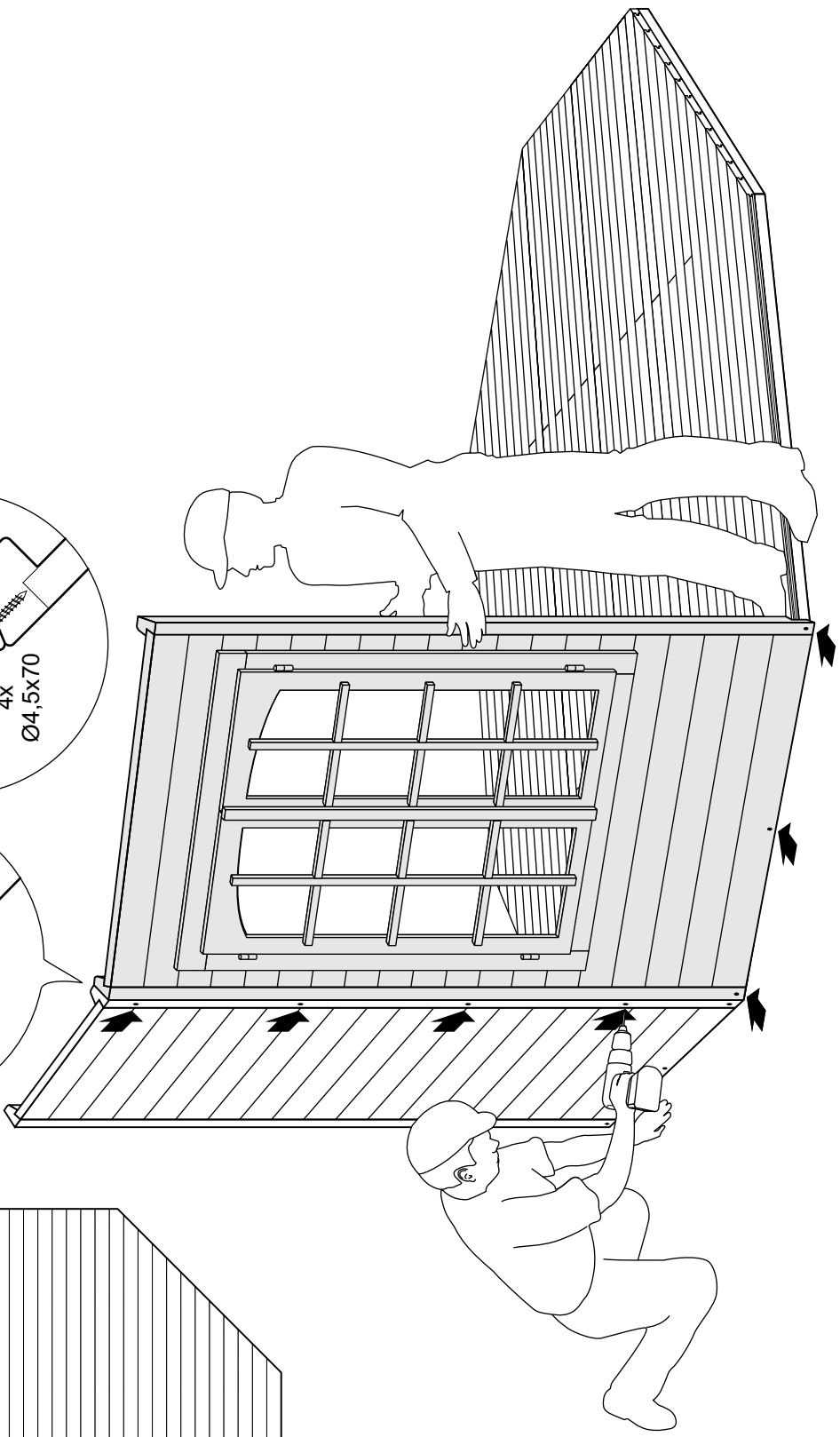
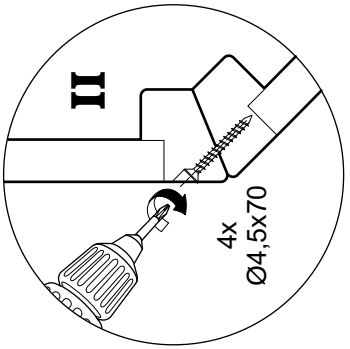
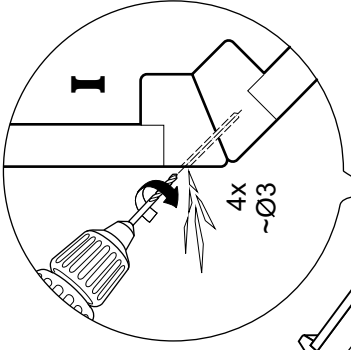
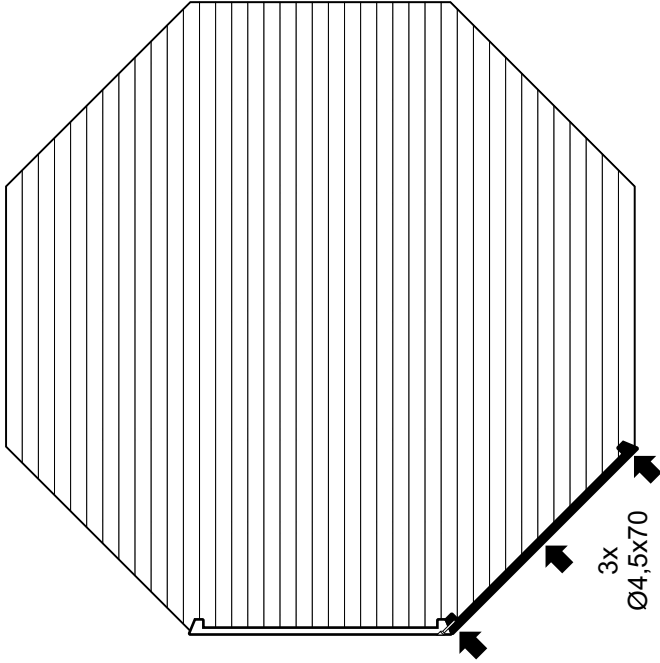
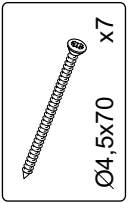
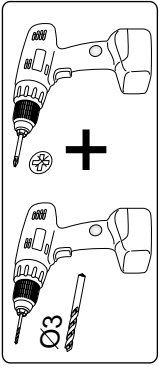


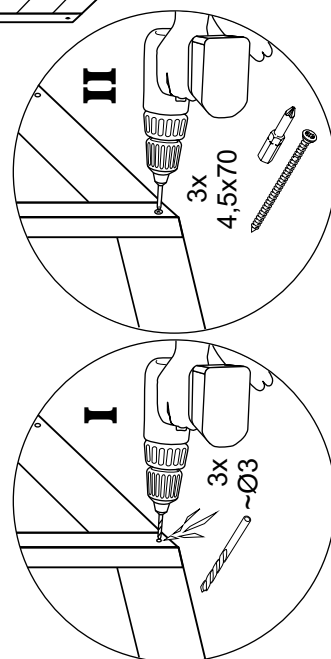
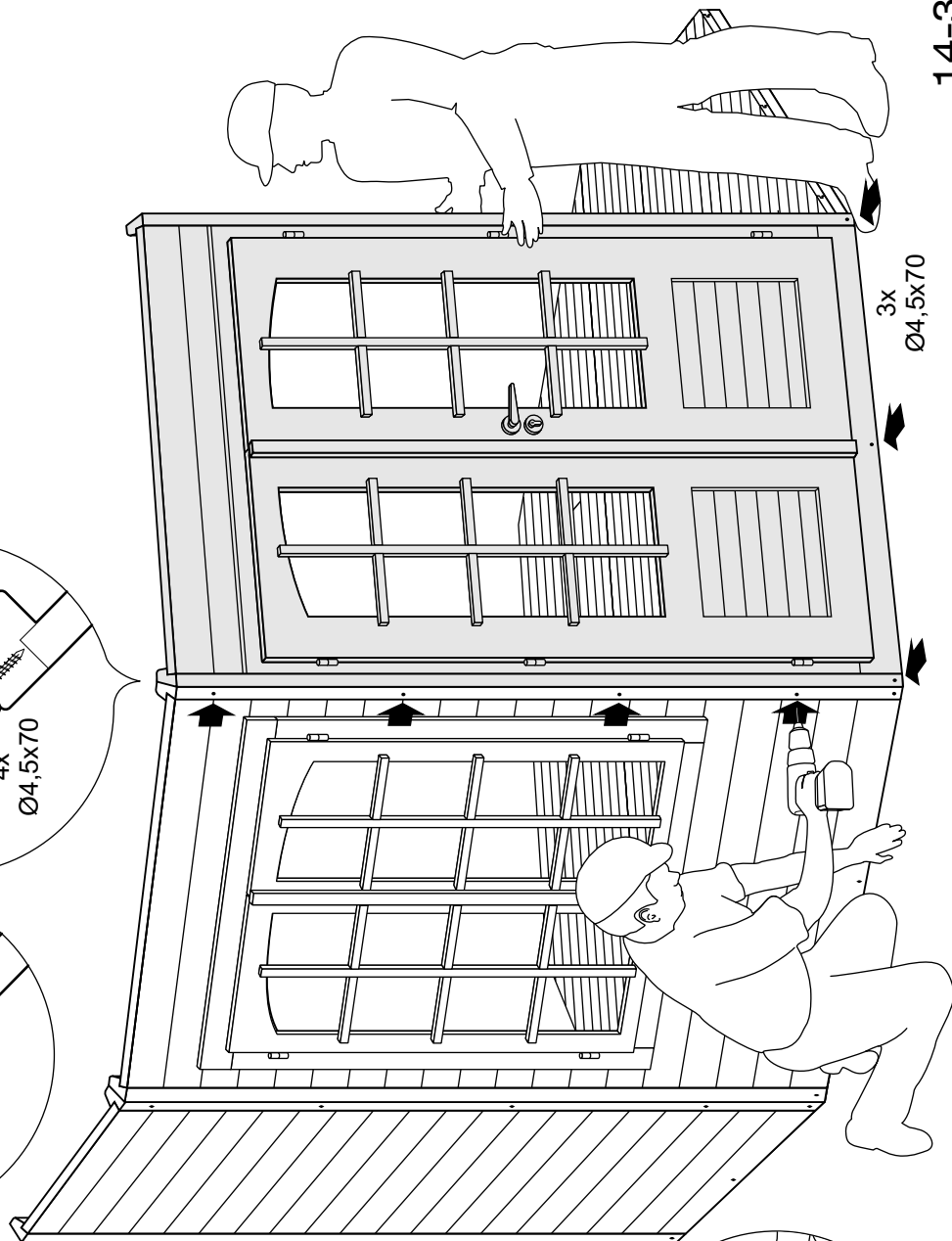
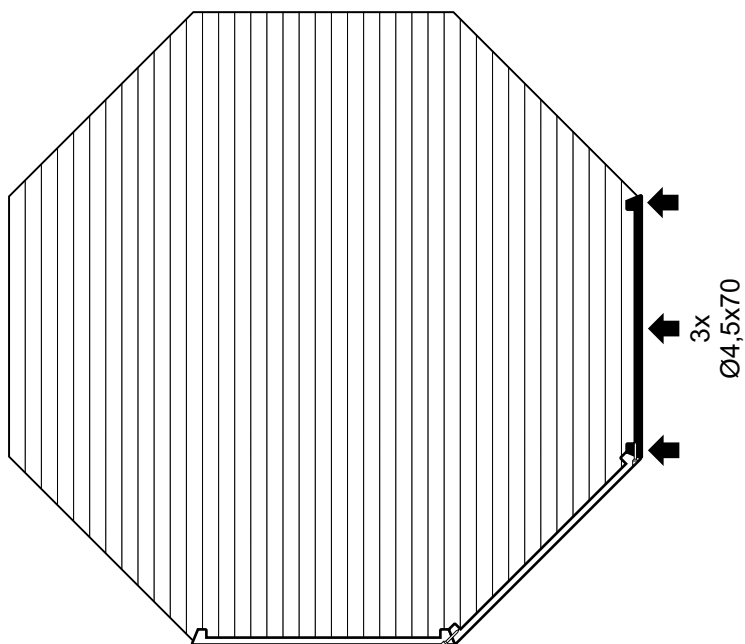
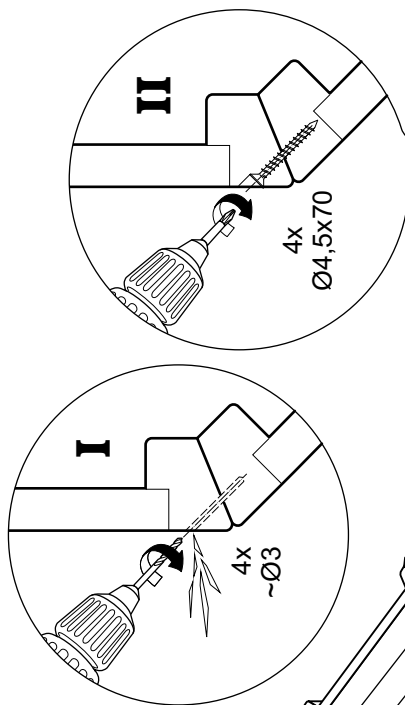
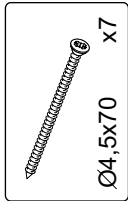
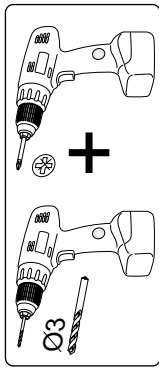
2

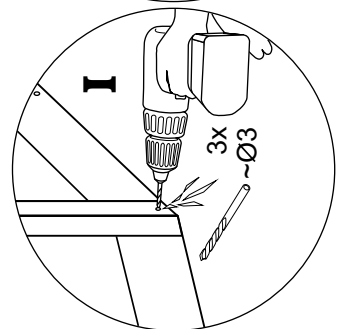
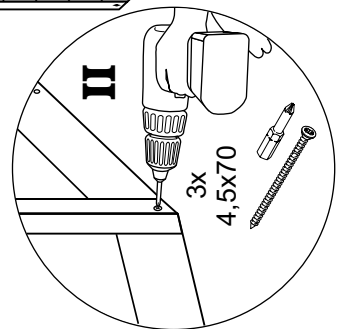
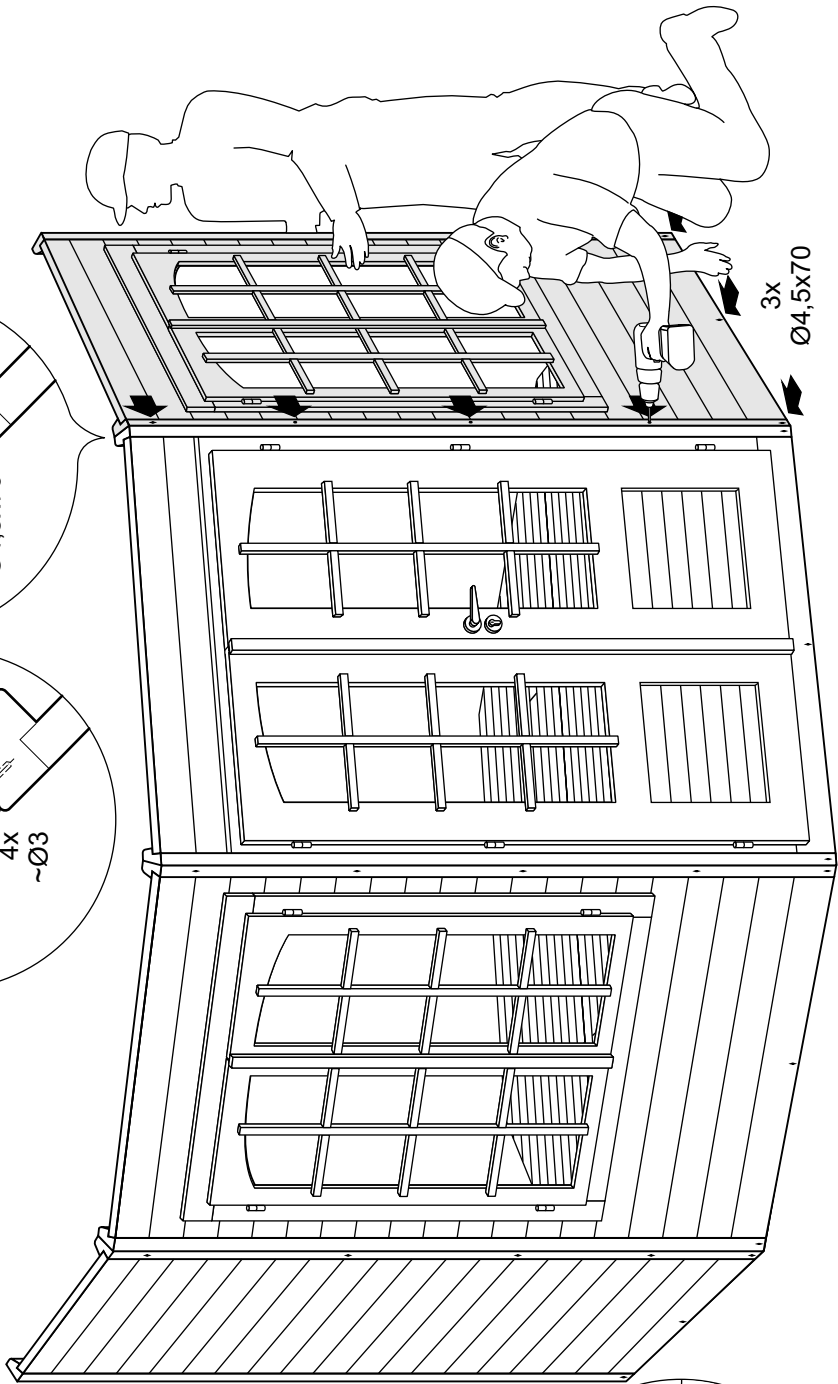
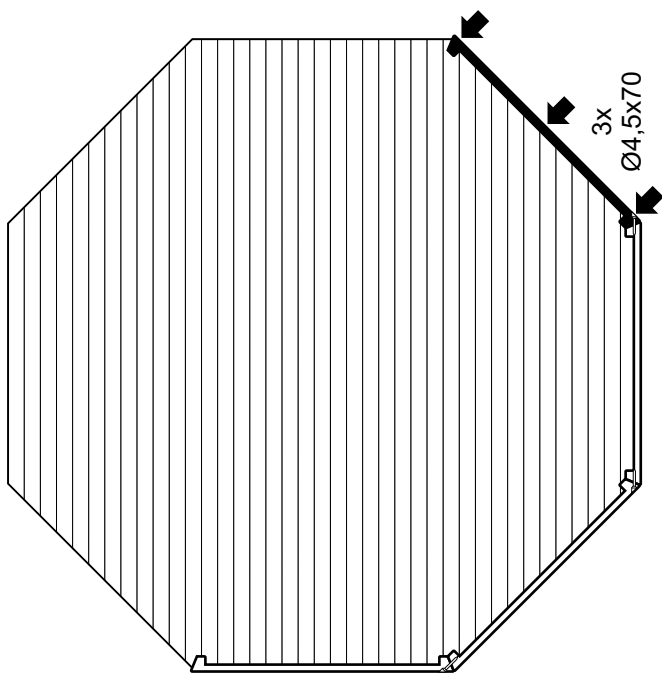
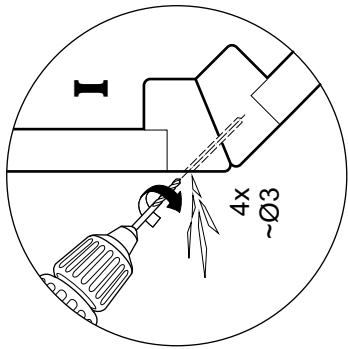
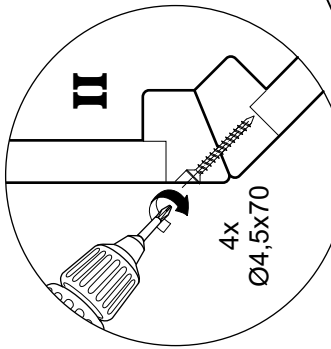
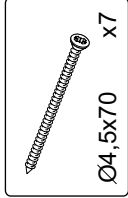
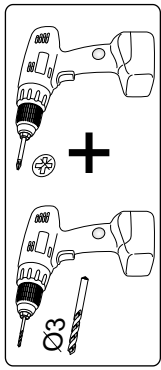


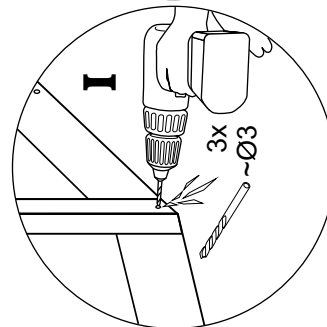
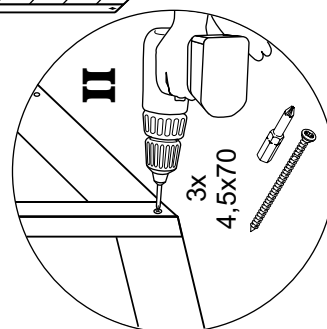
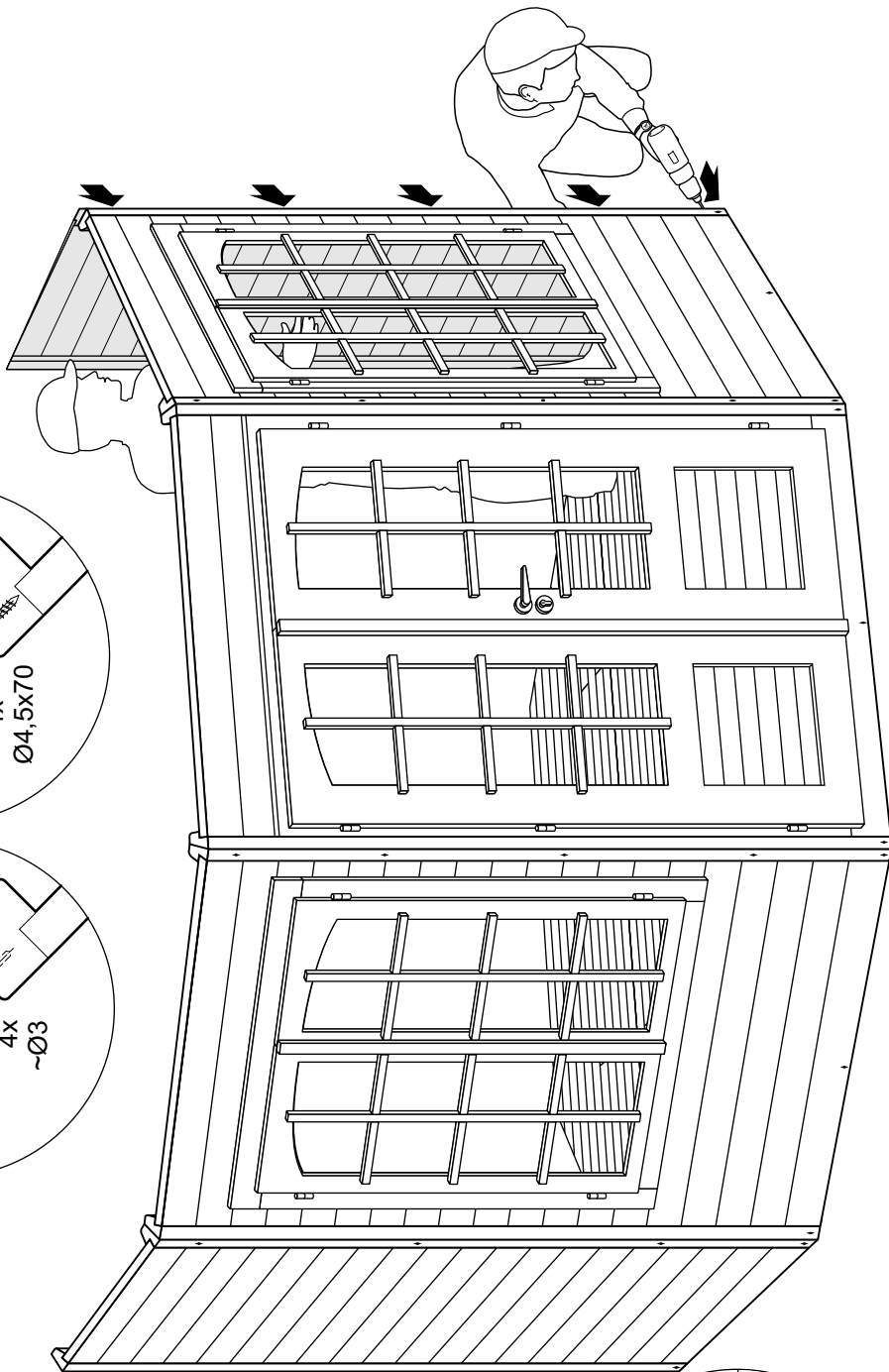
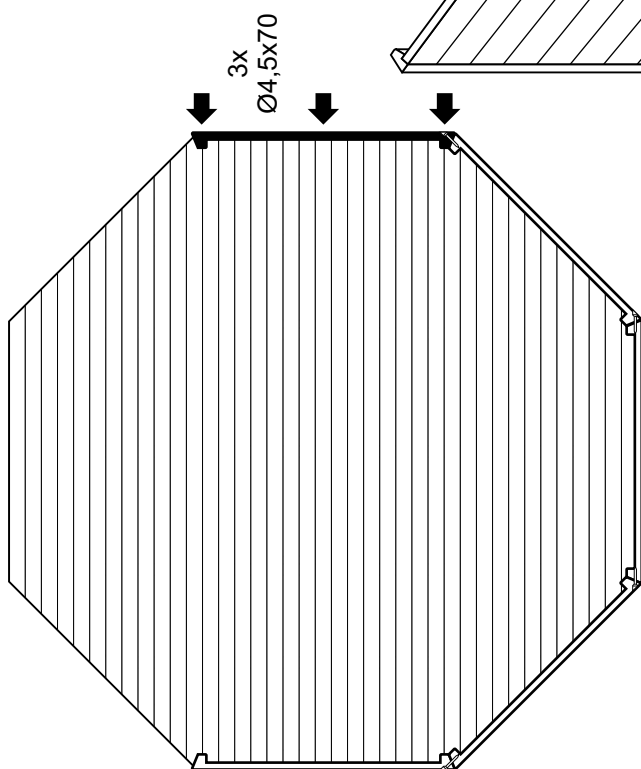
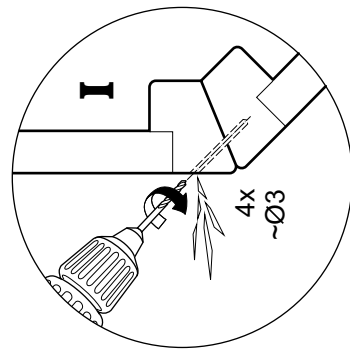
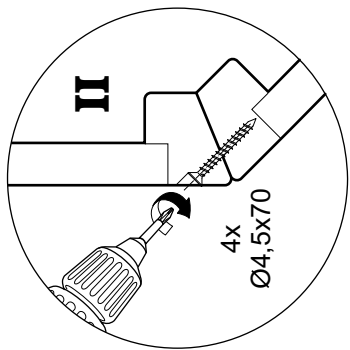
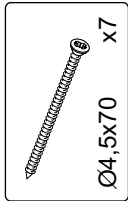
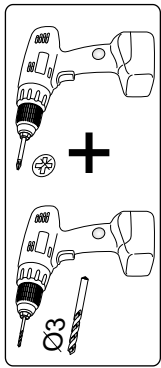
3

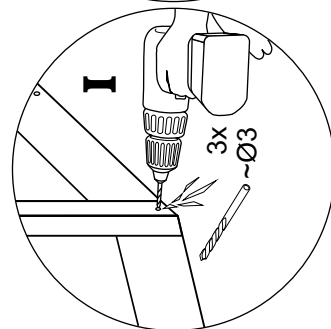
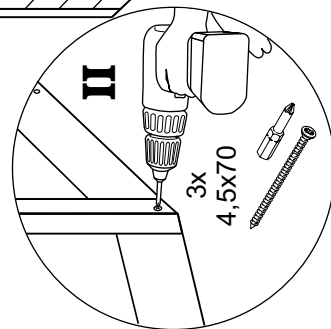
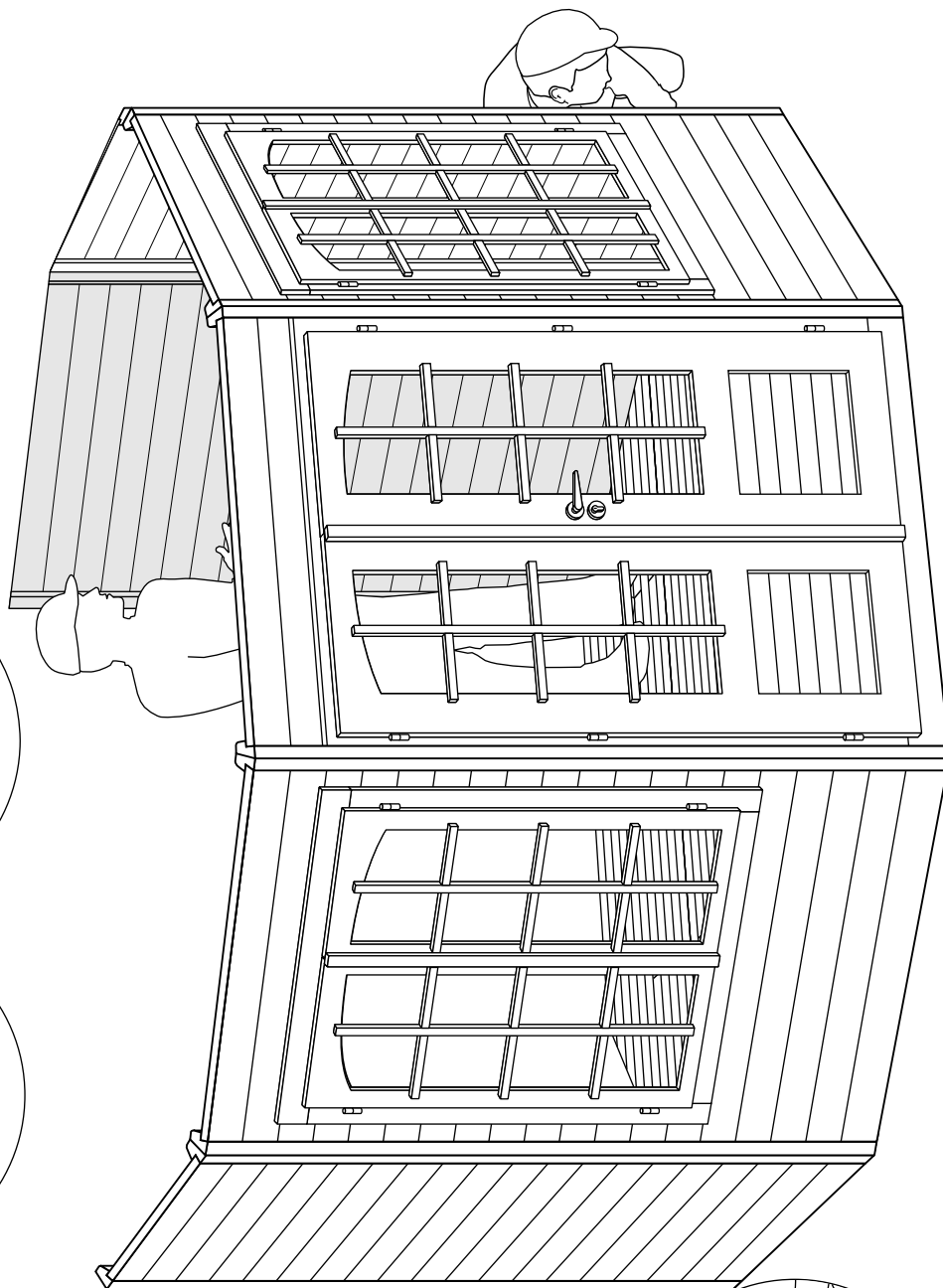
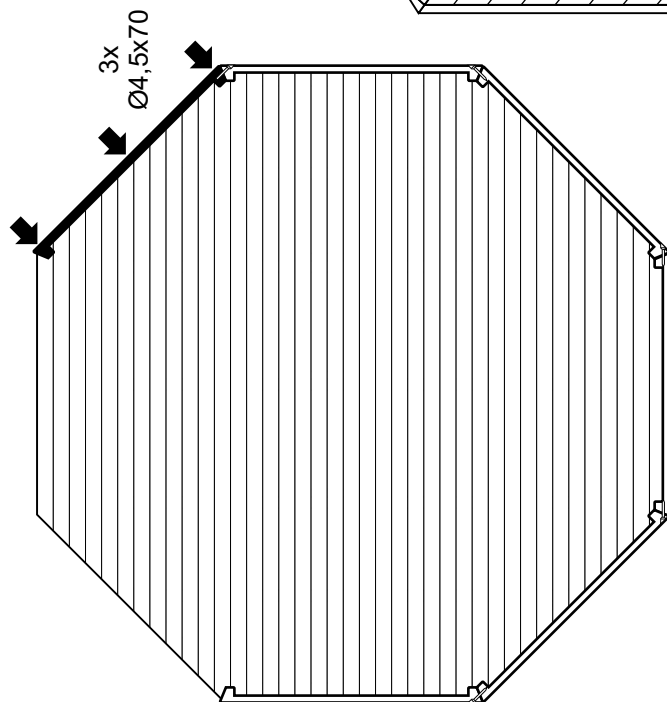
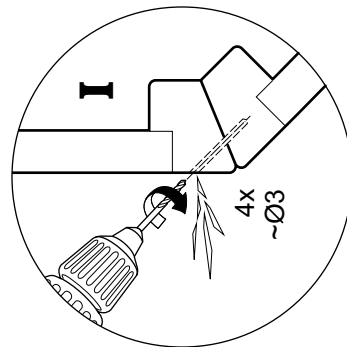
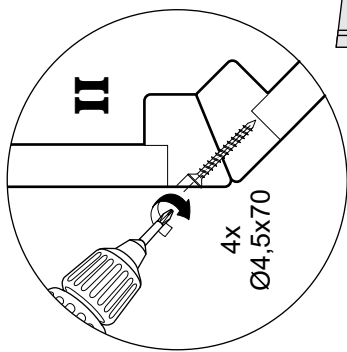
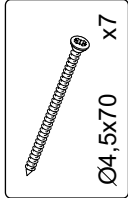
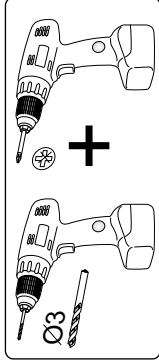


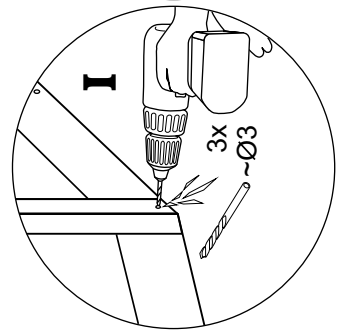
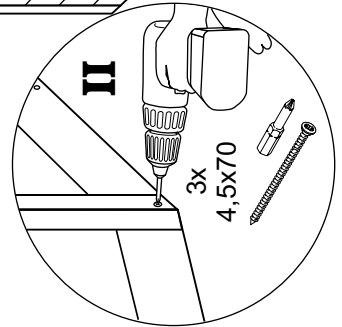
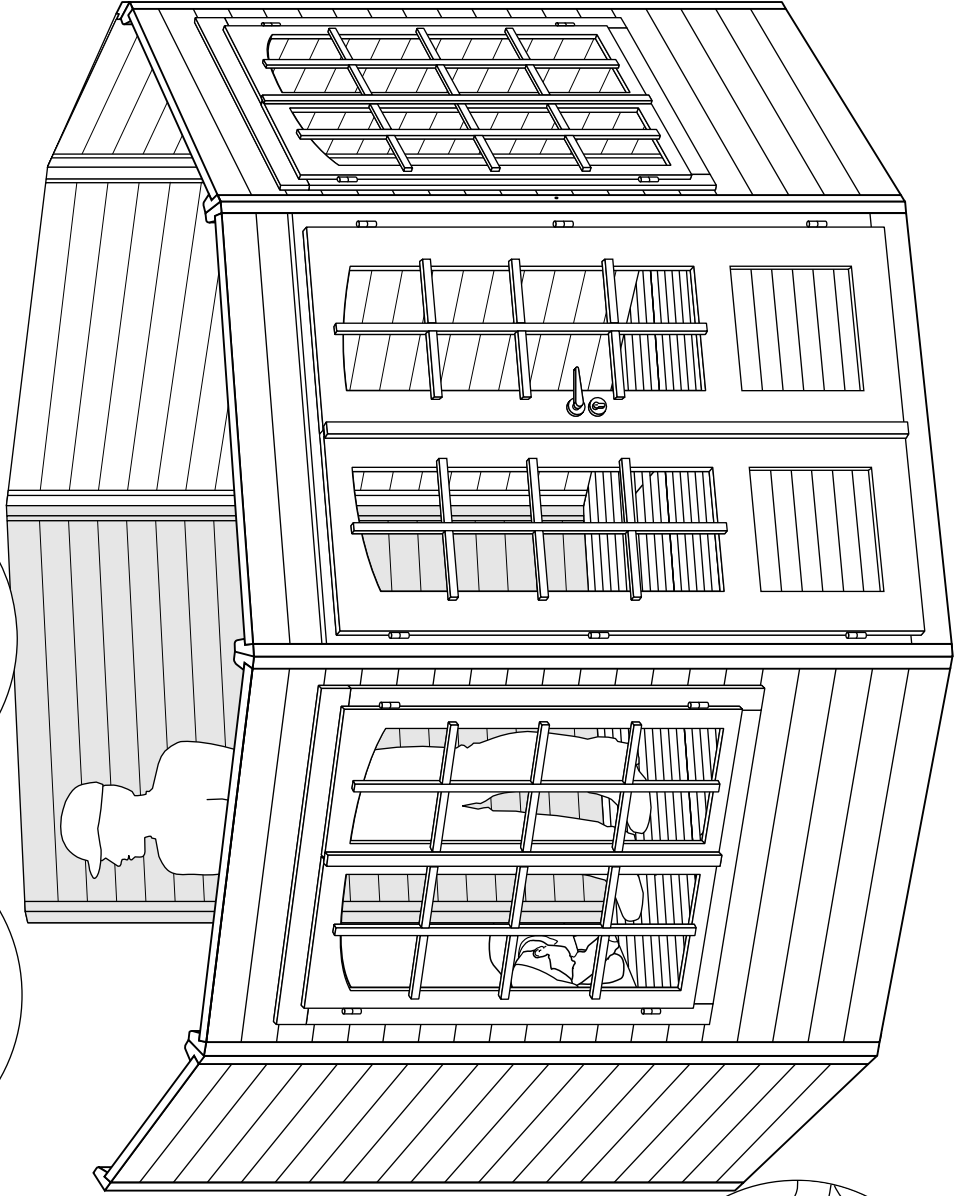
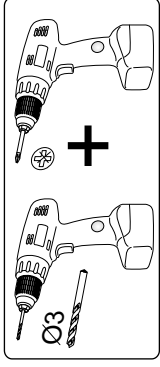
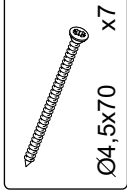
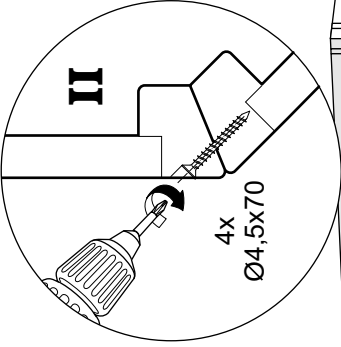
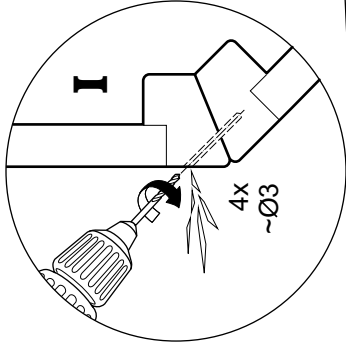
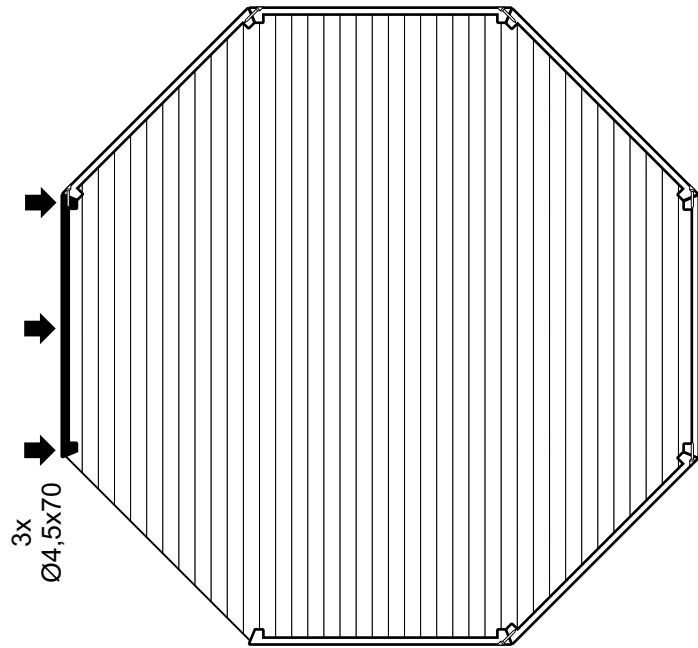


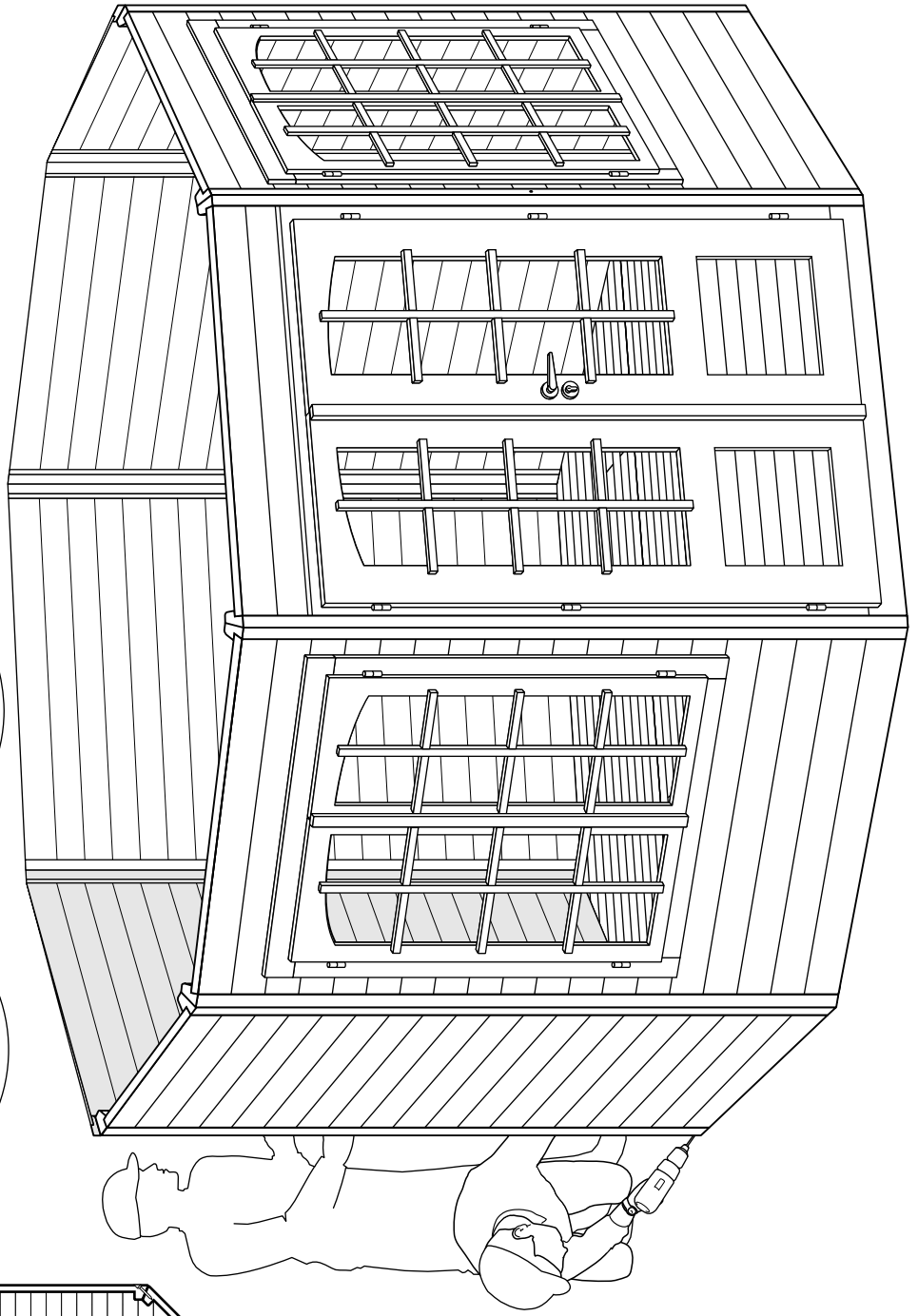
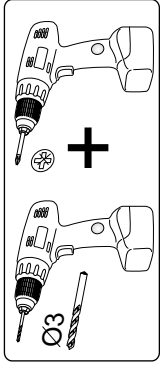
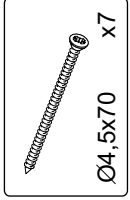
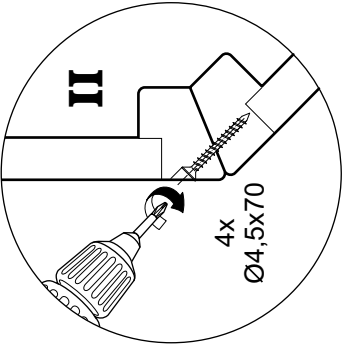
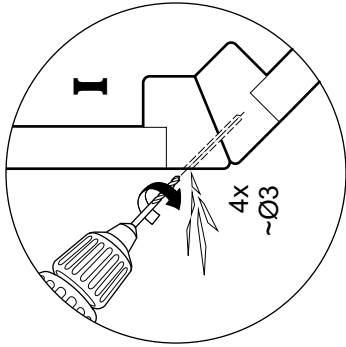
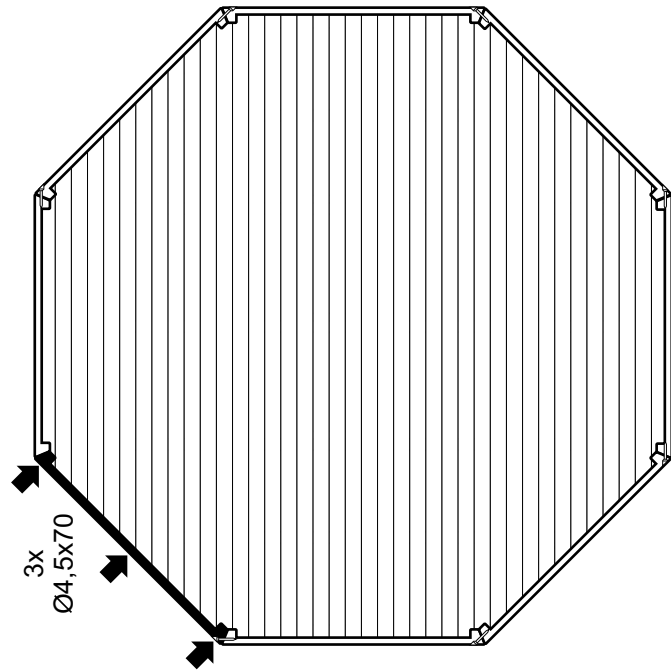


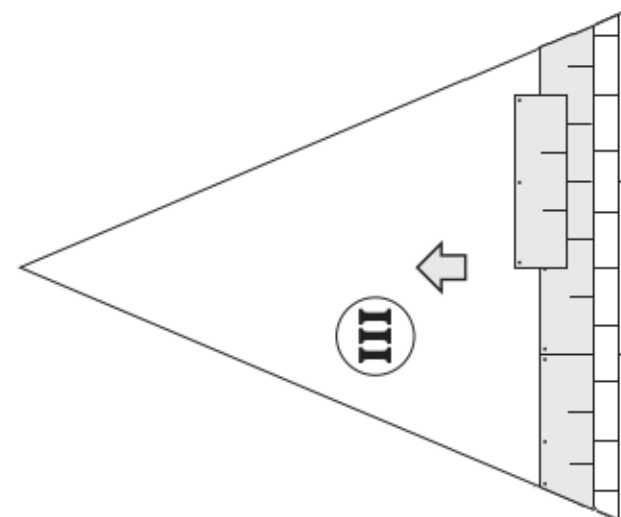
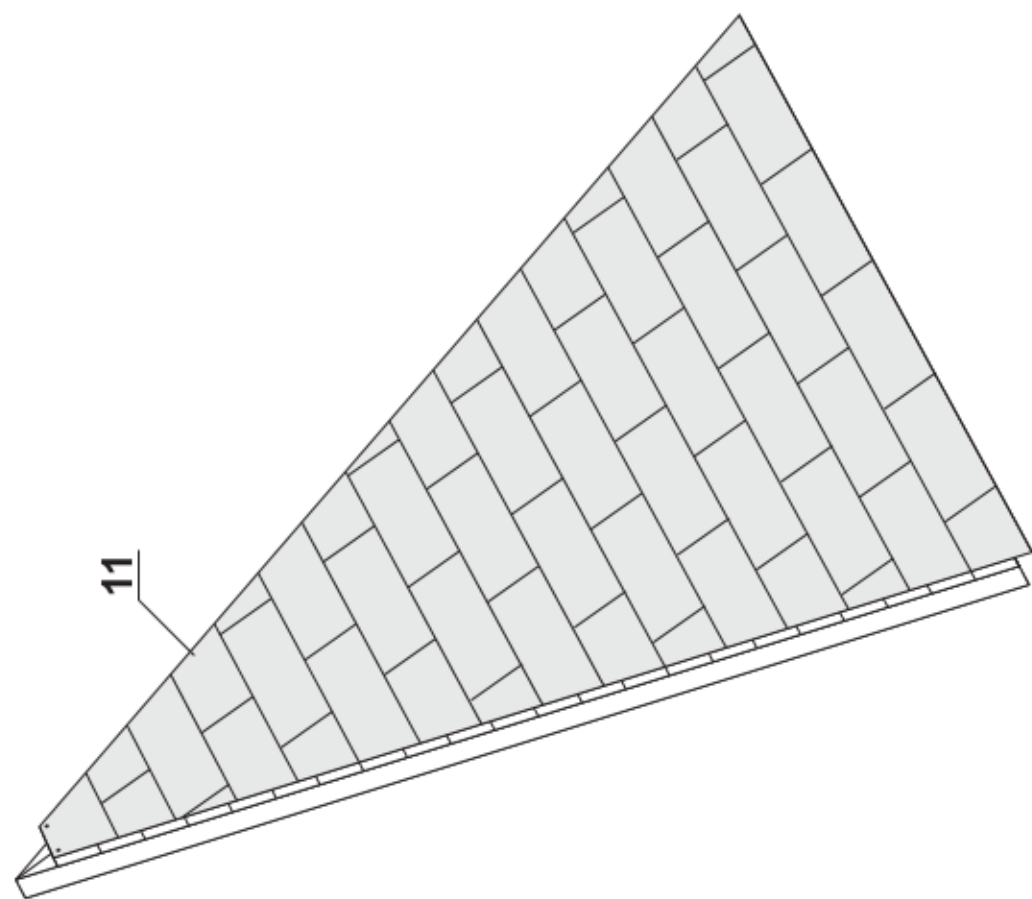
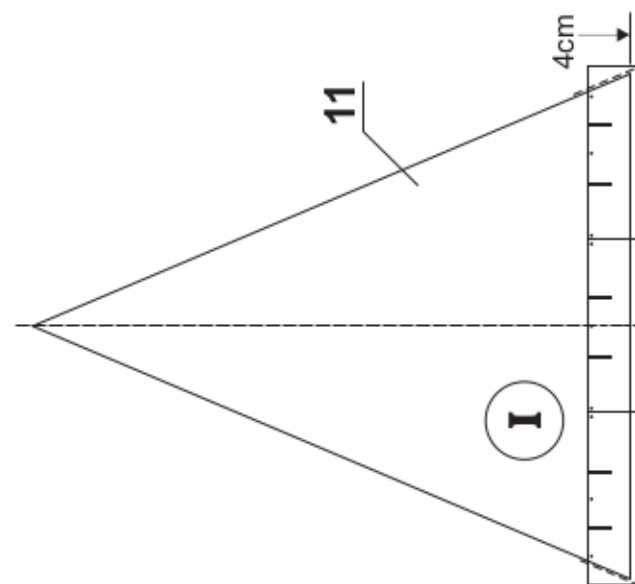
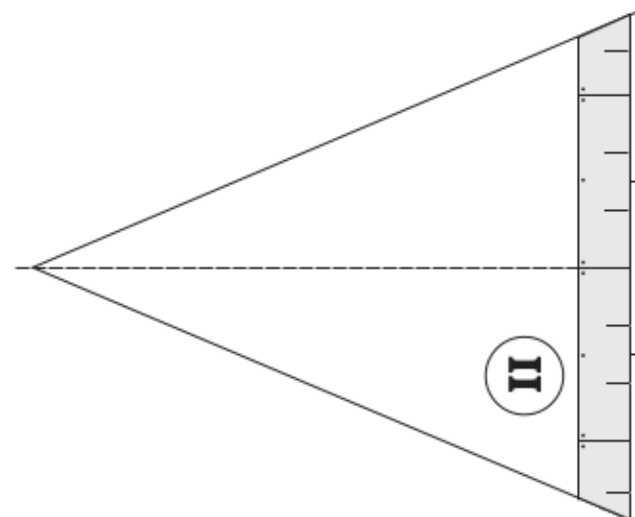
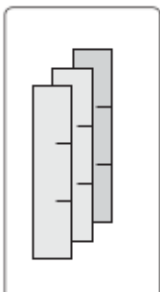


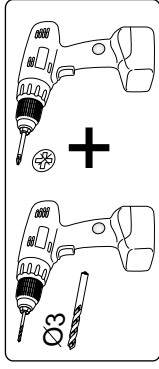
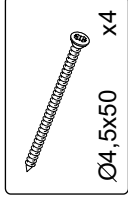
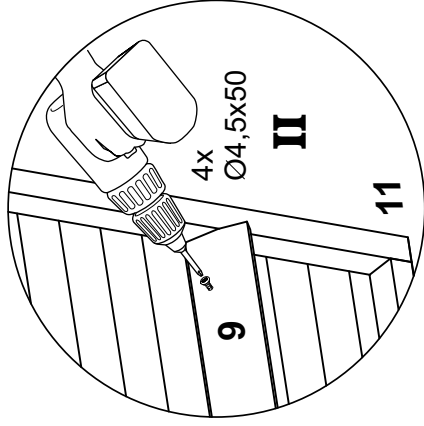
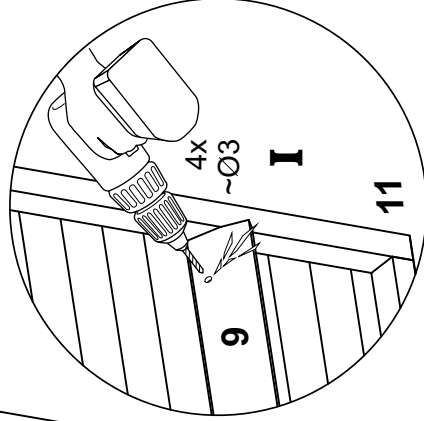
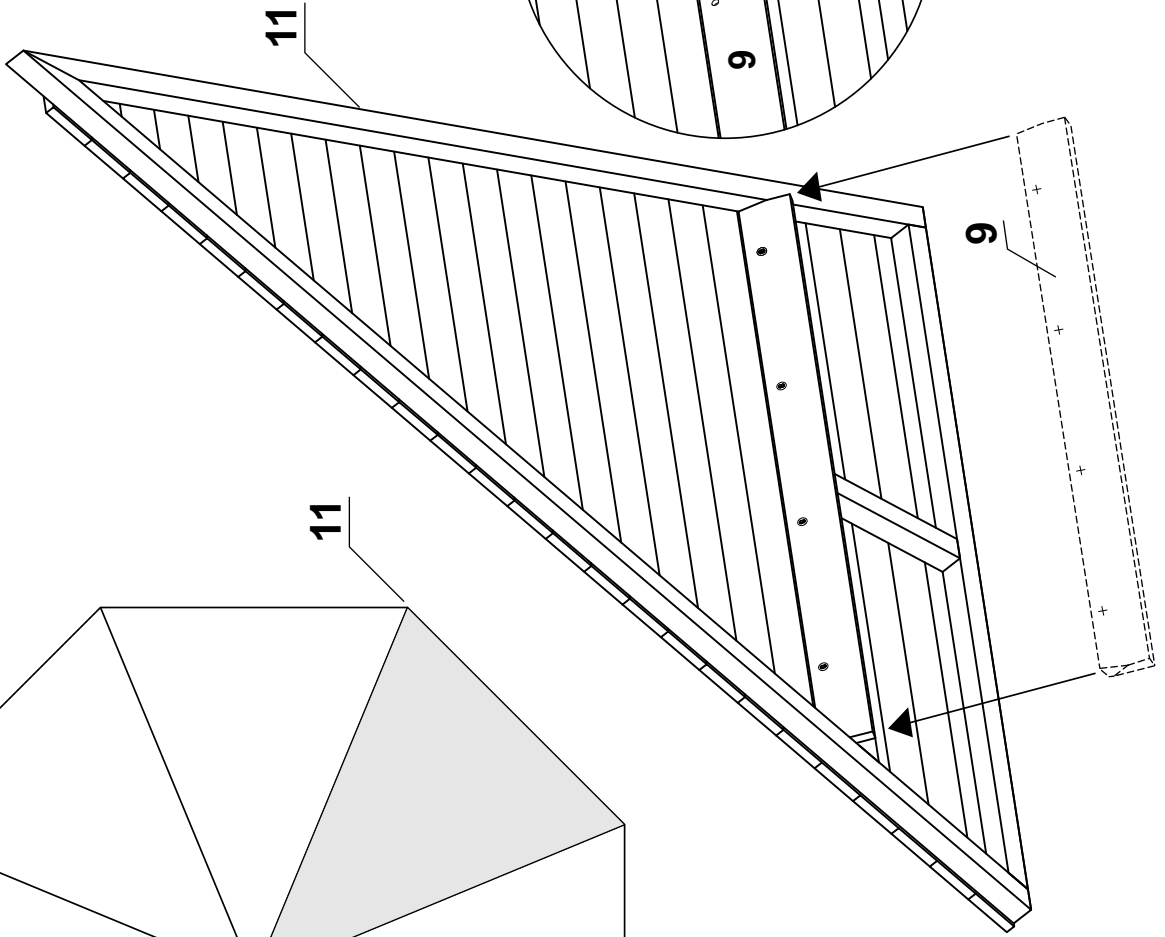
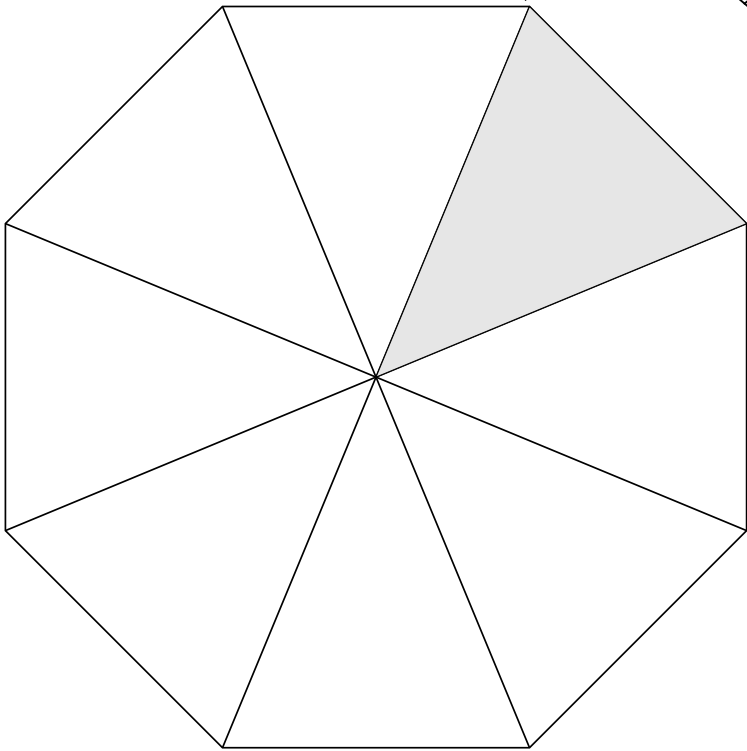


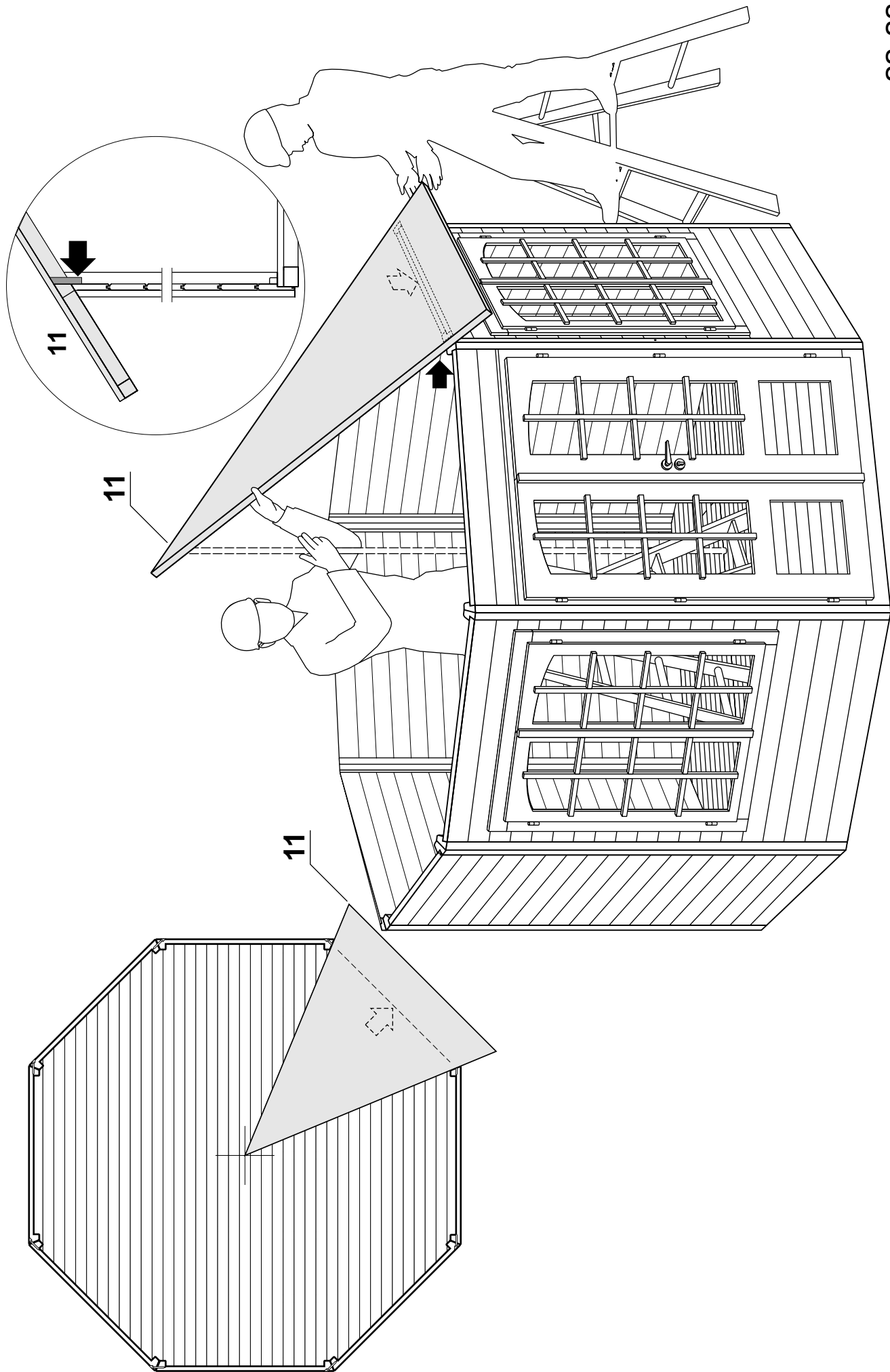


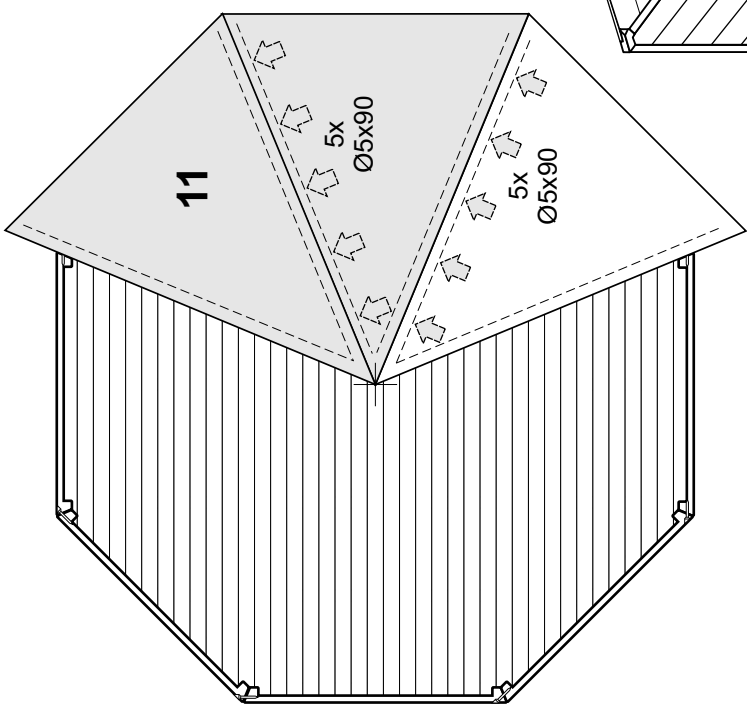
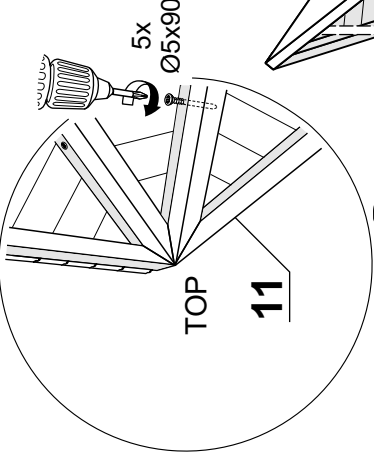
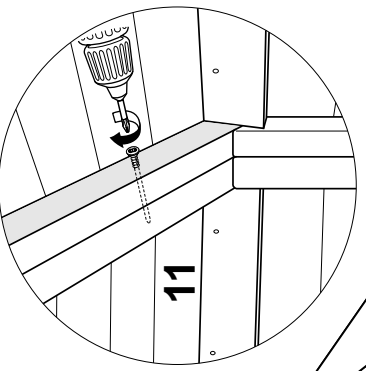
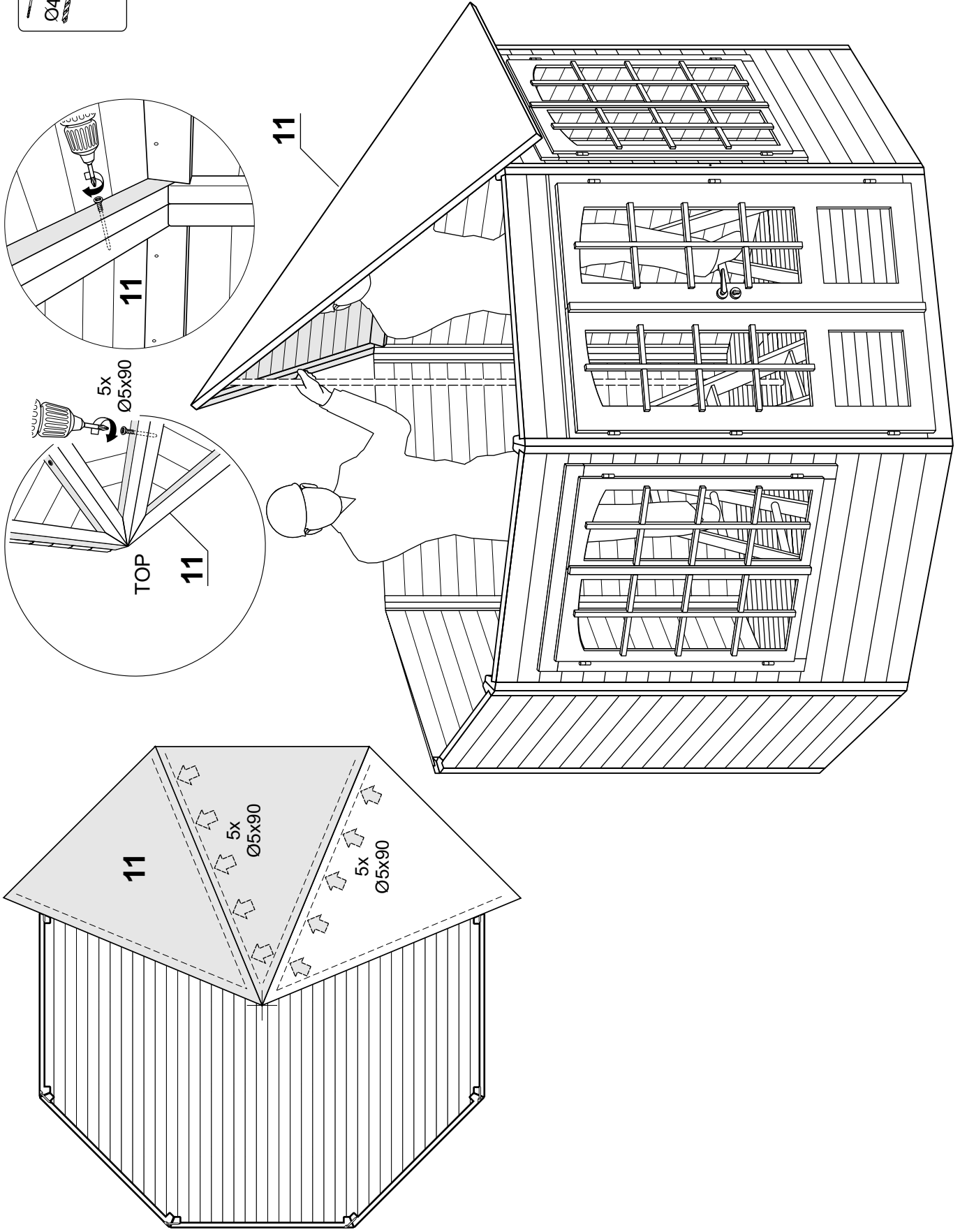
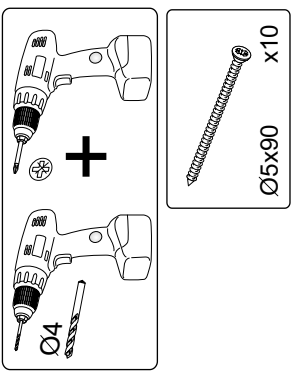


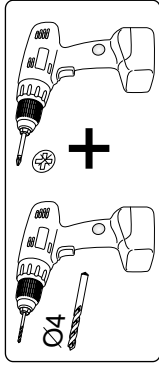
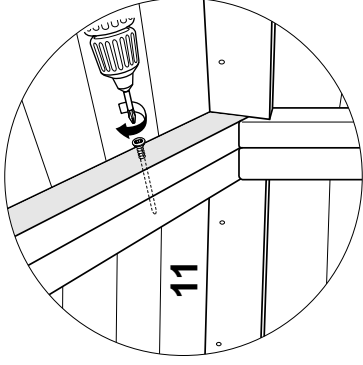
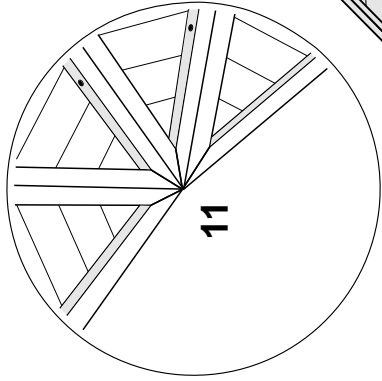
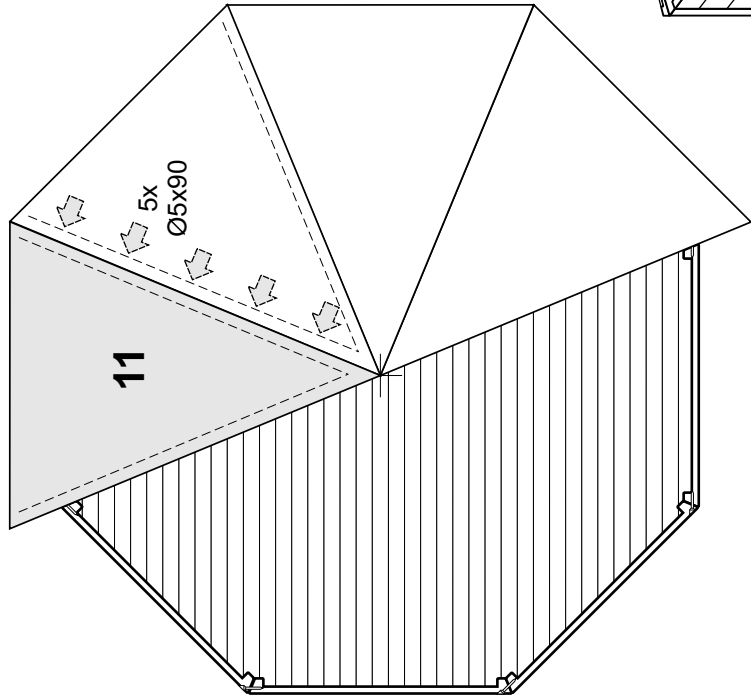




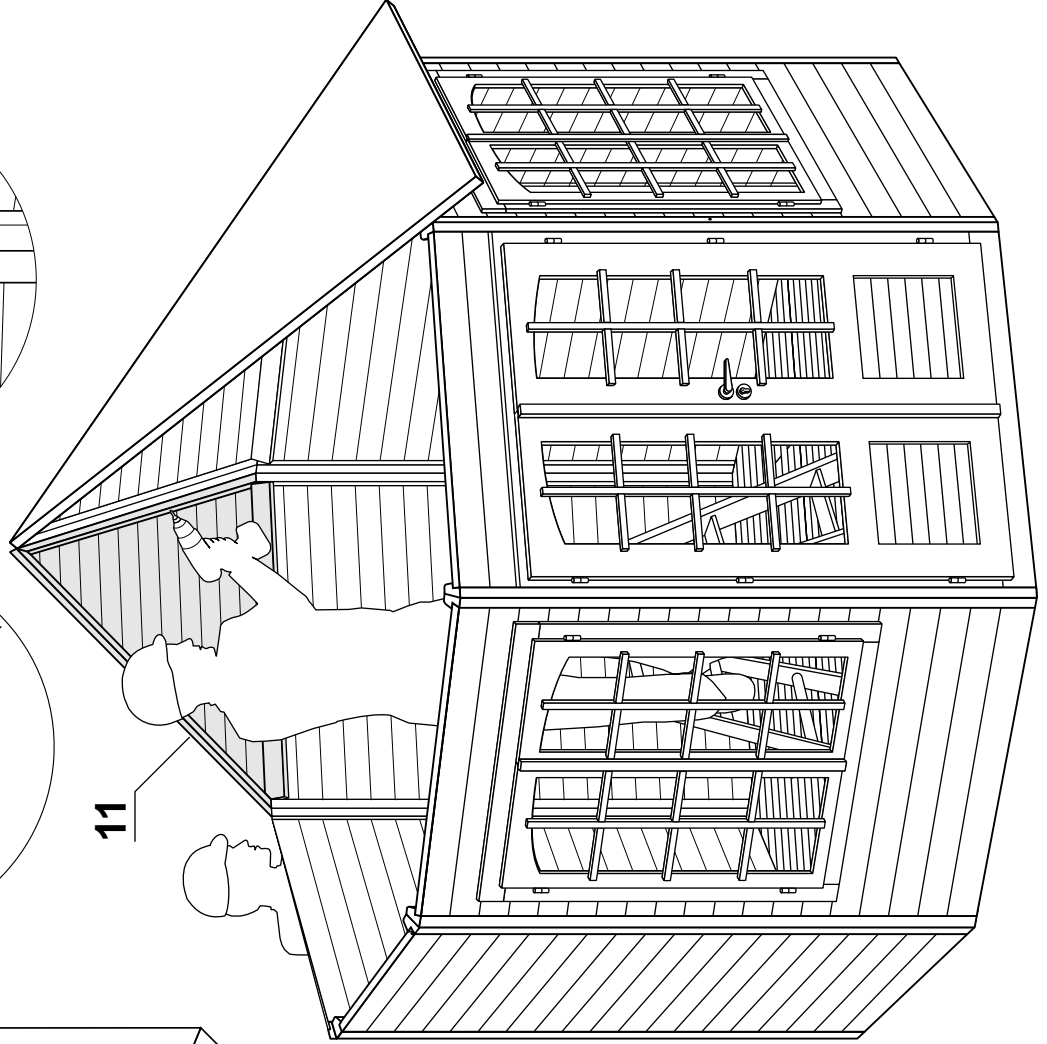
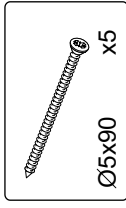


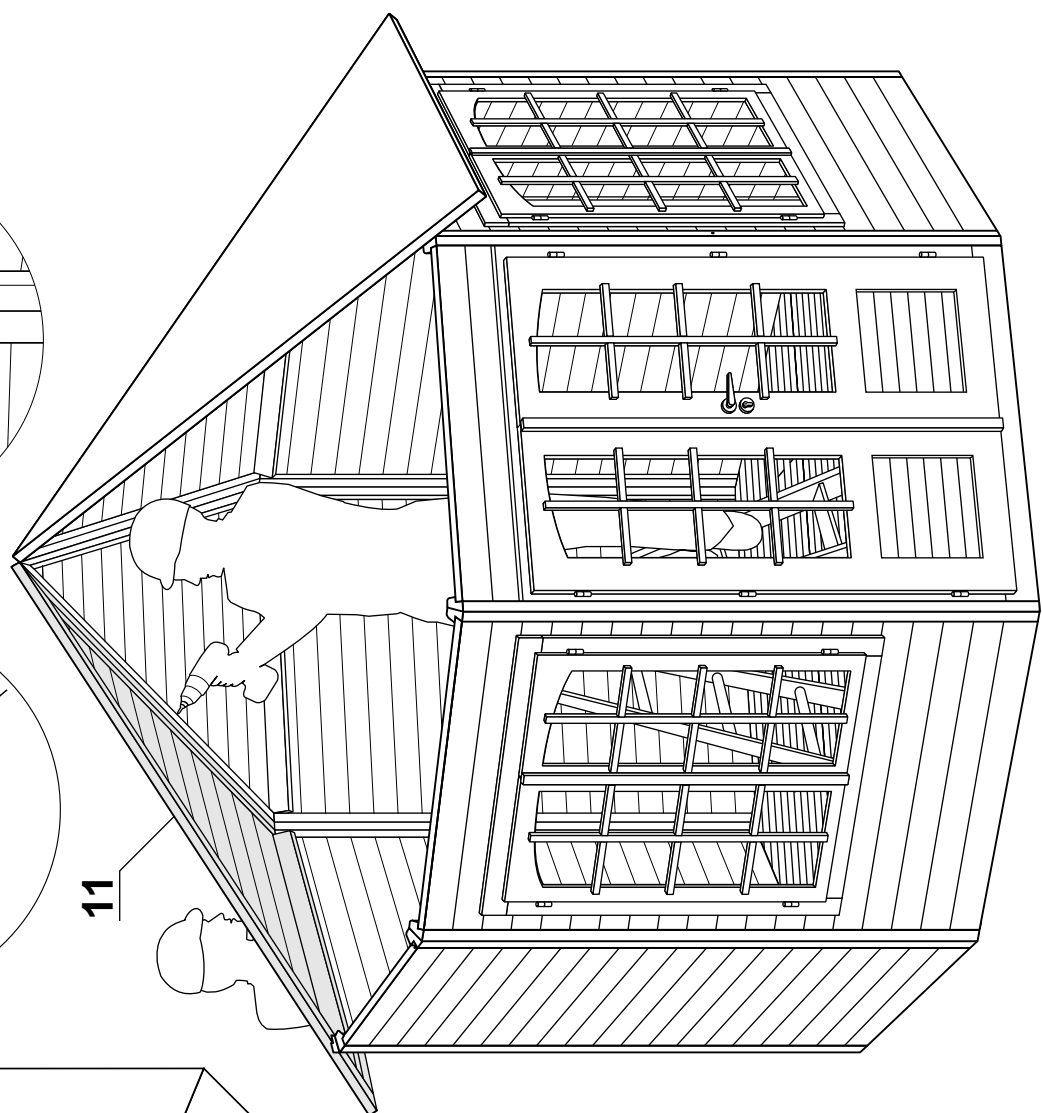
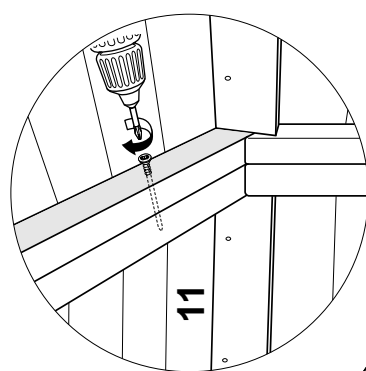
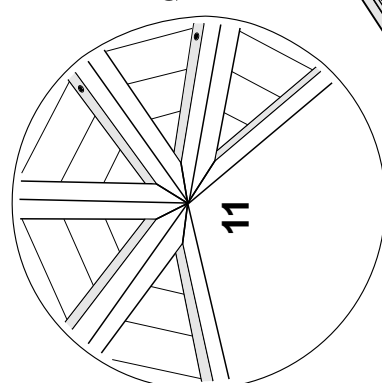
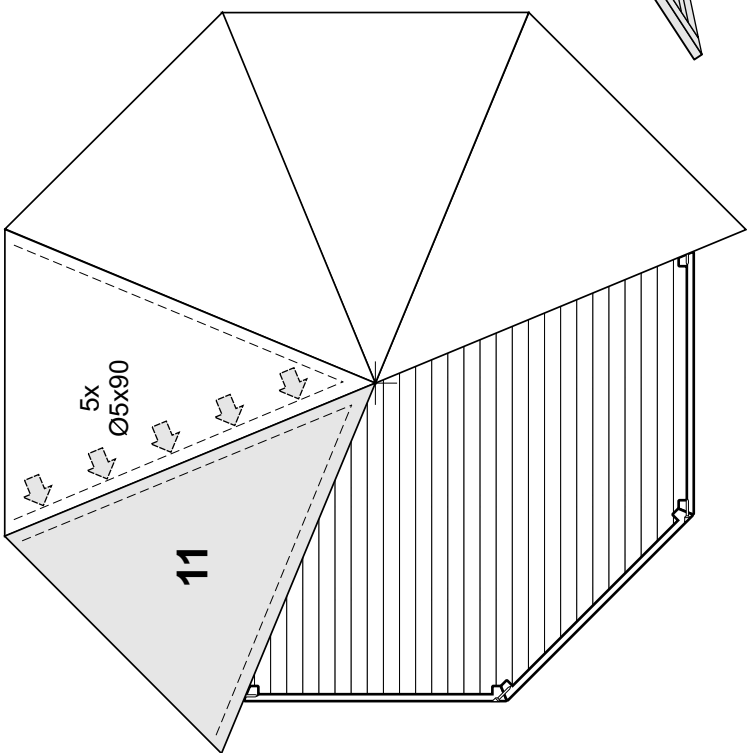
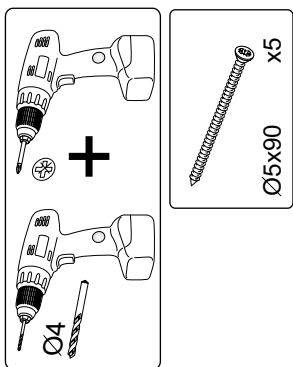


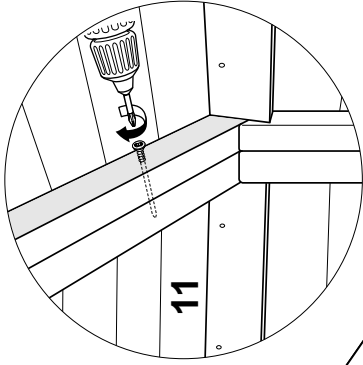
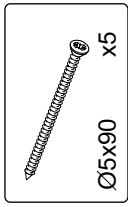
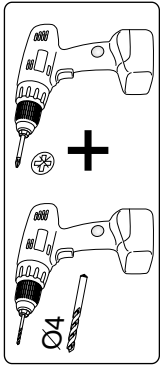




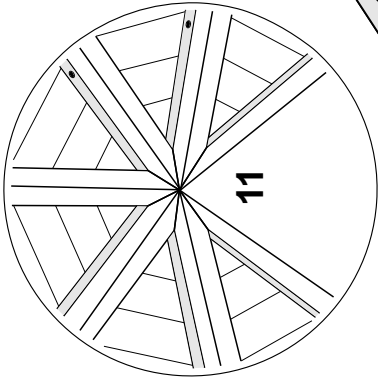
+



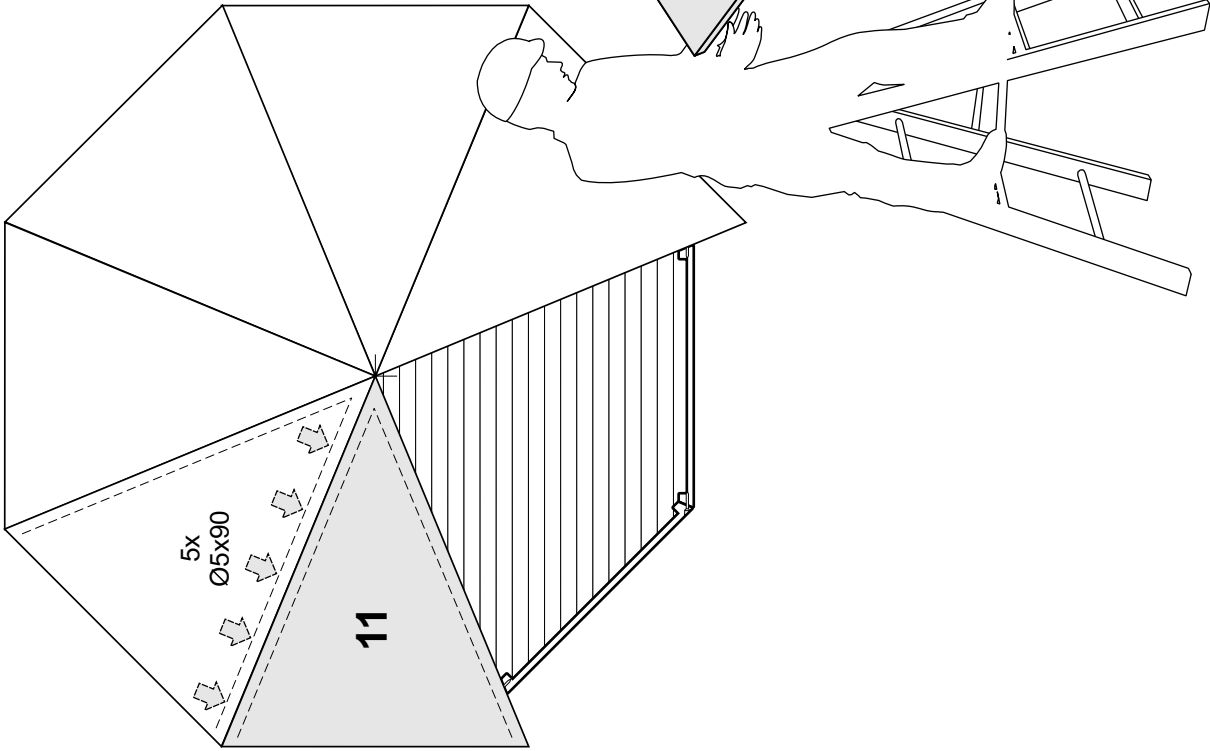




5x
Ø5x90

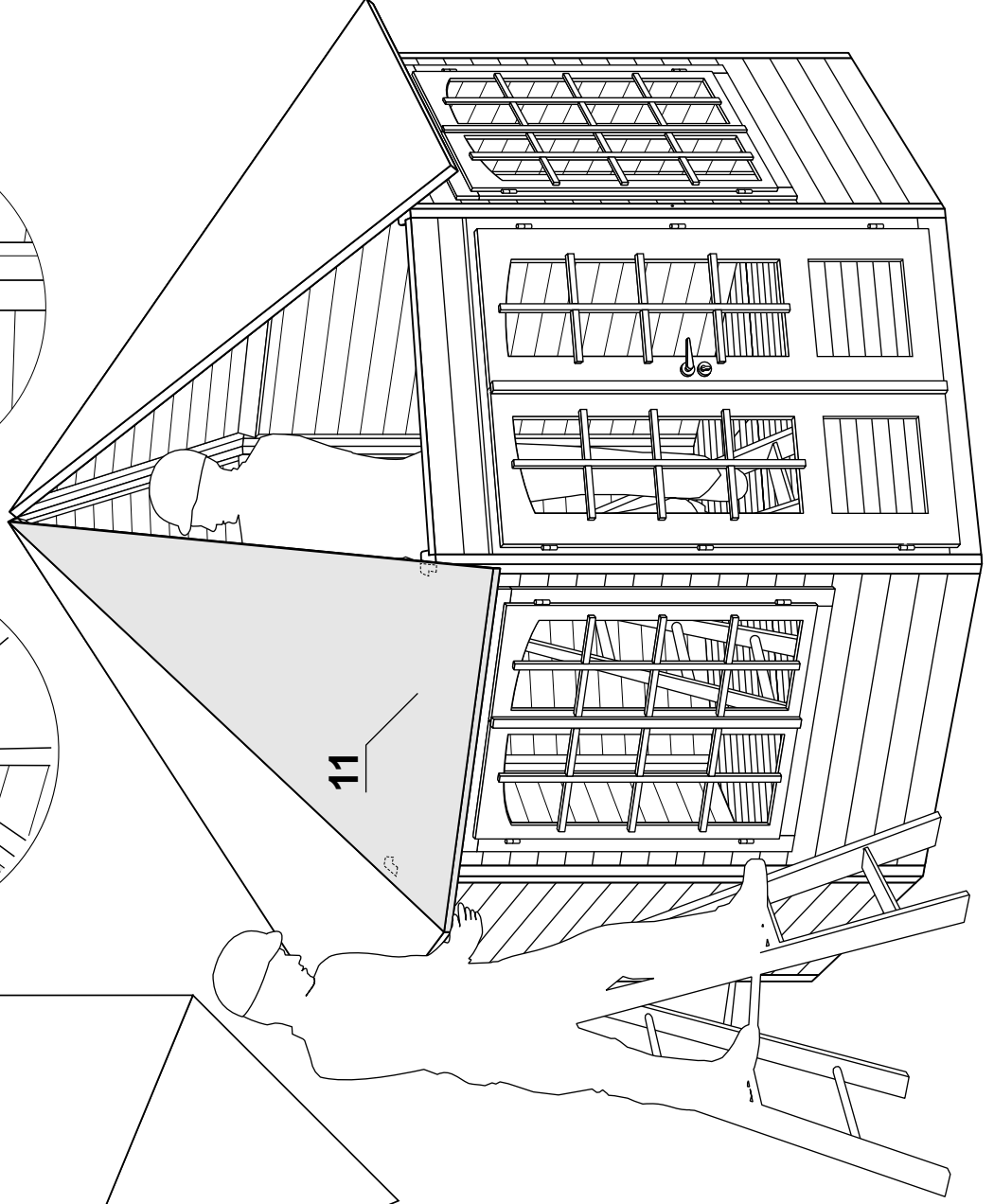
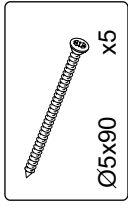
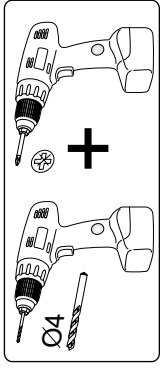
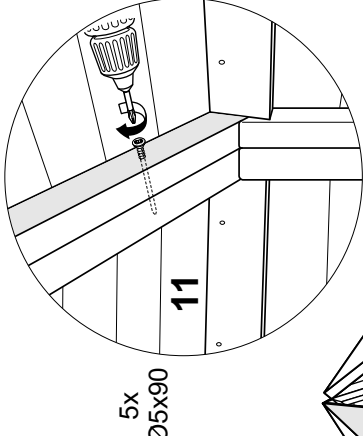
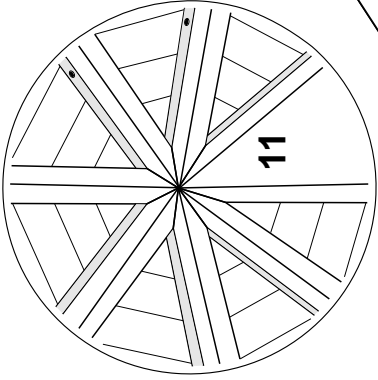
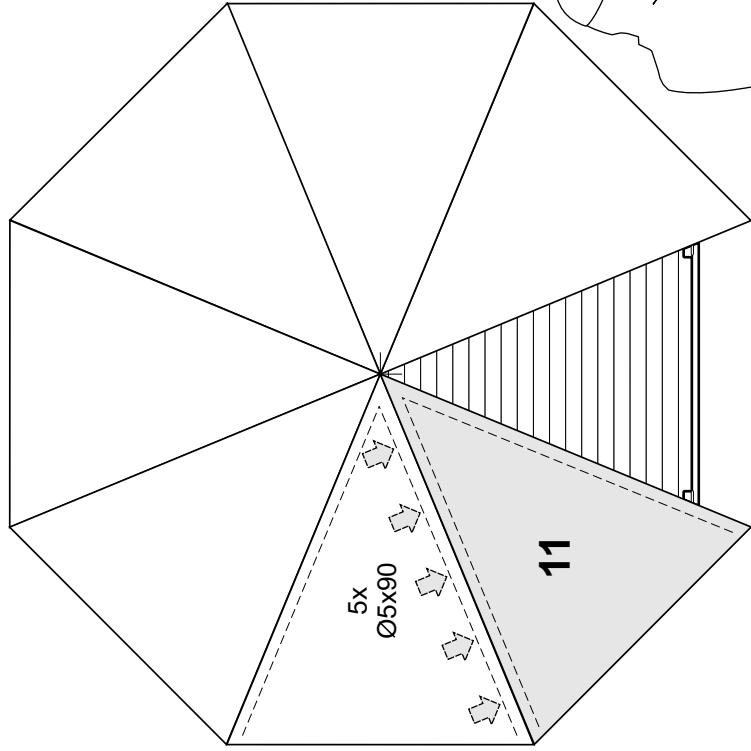


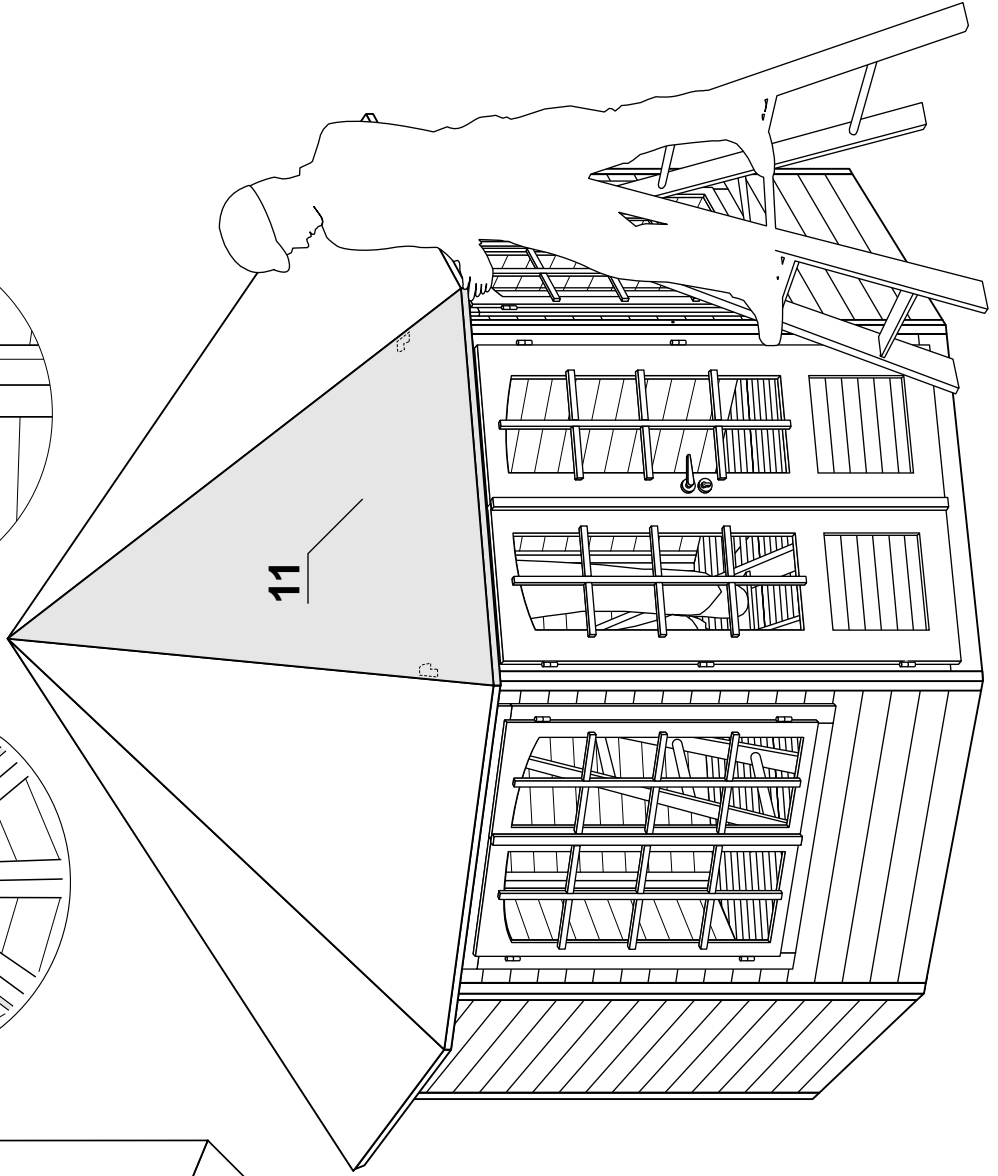
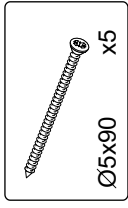
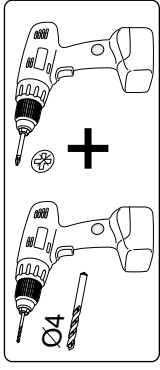
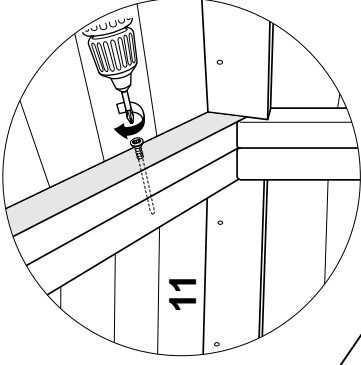
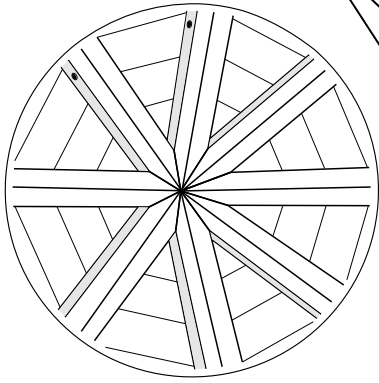
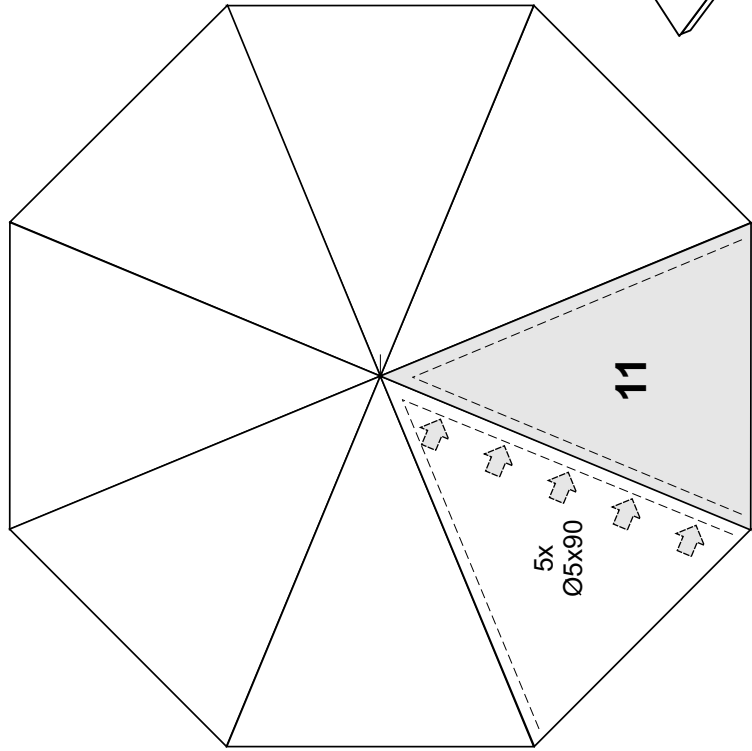
11

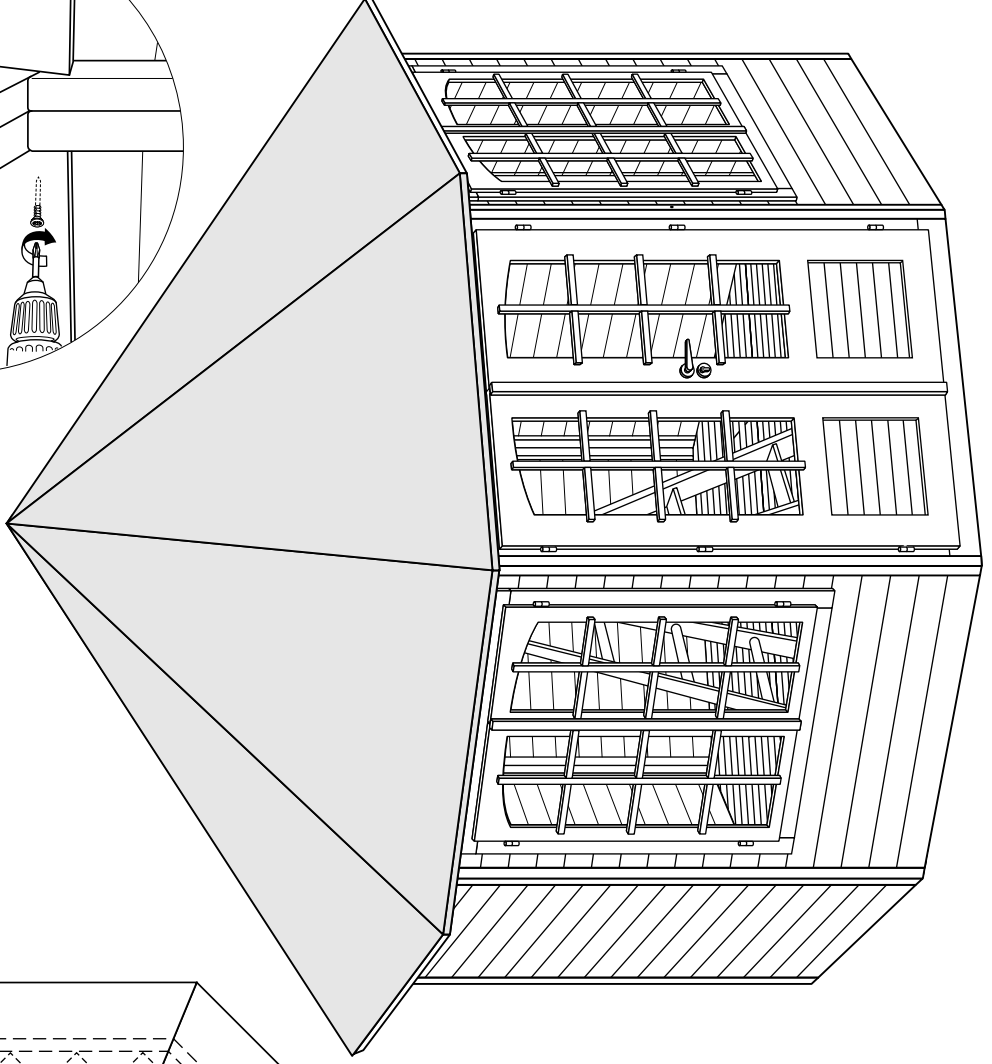
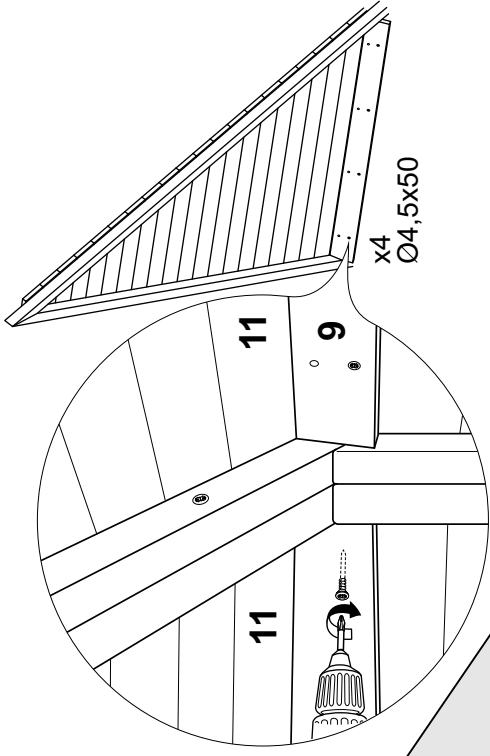
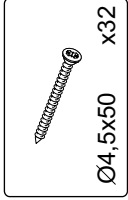
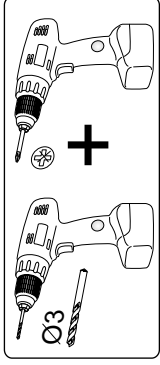
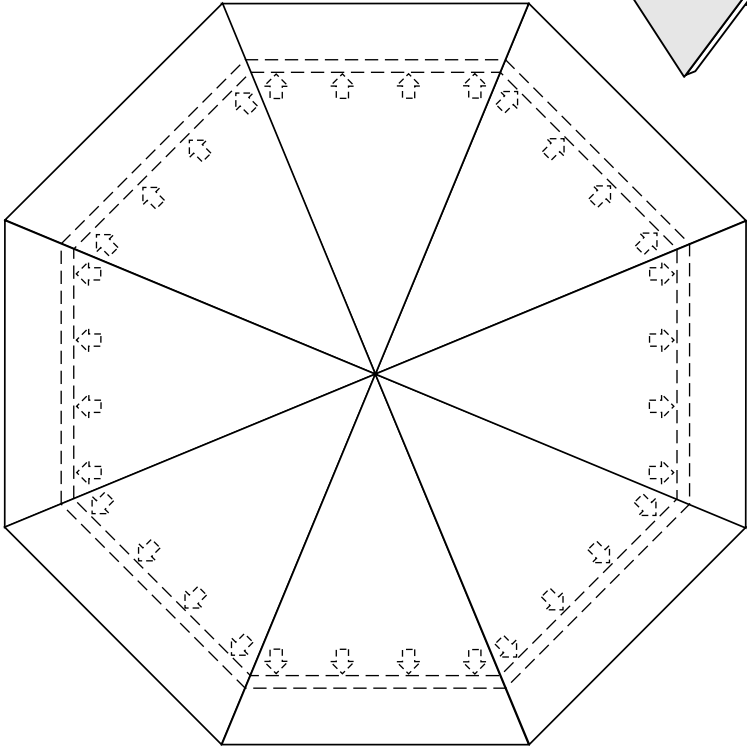


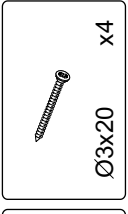
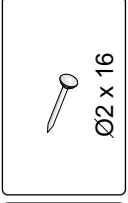
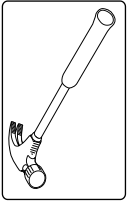
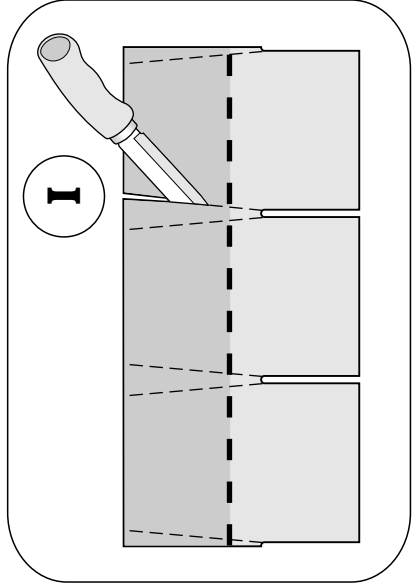
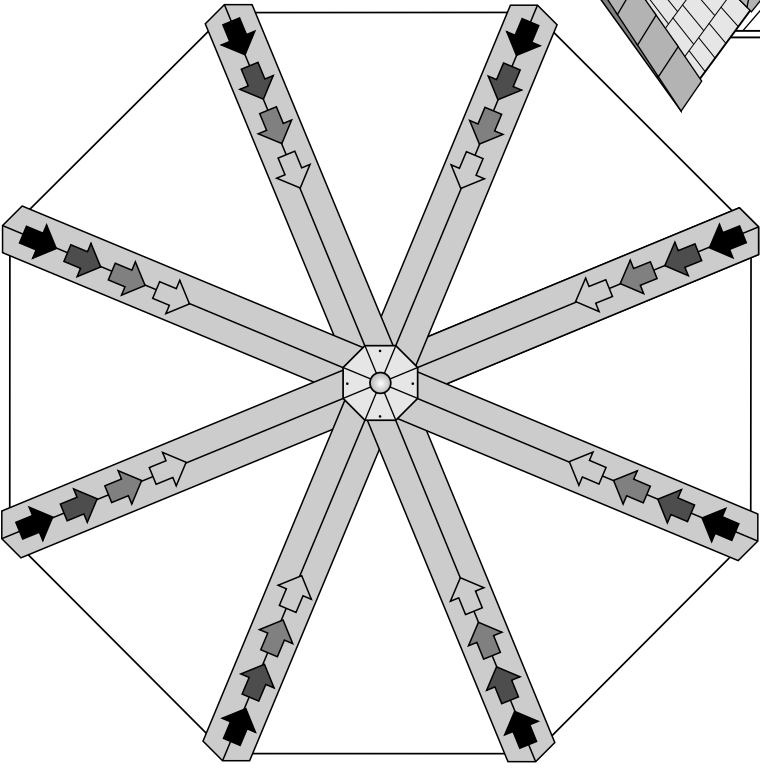
5x
Ø5x90

11





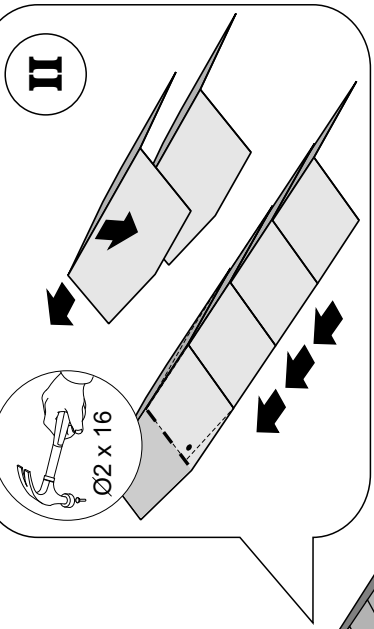




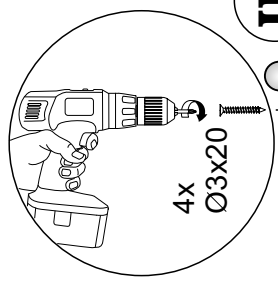
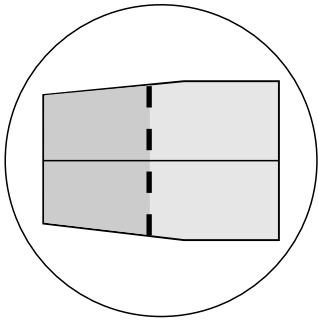
x4

Ø3x20

Ø2 x 16

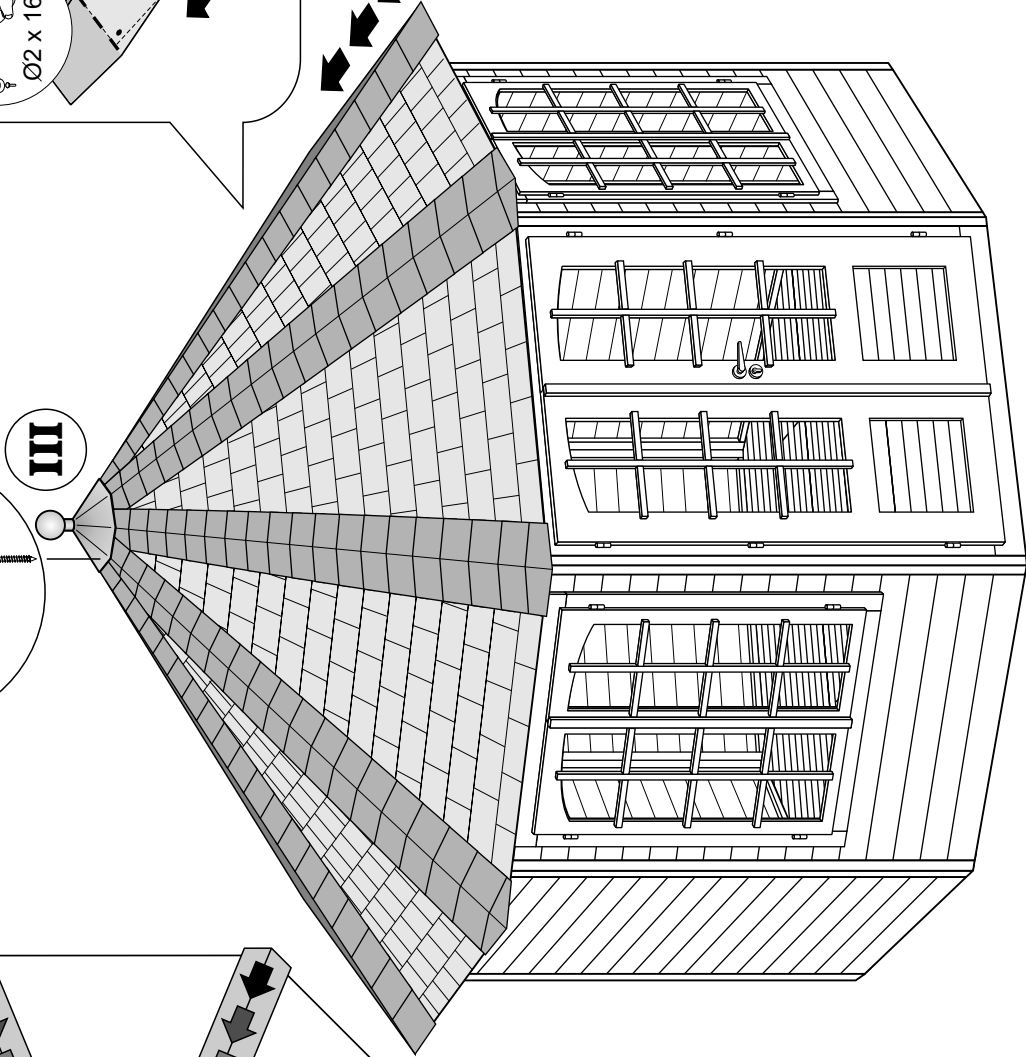


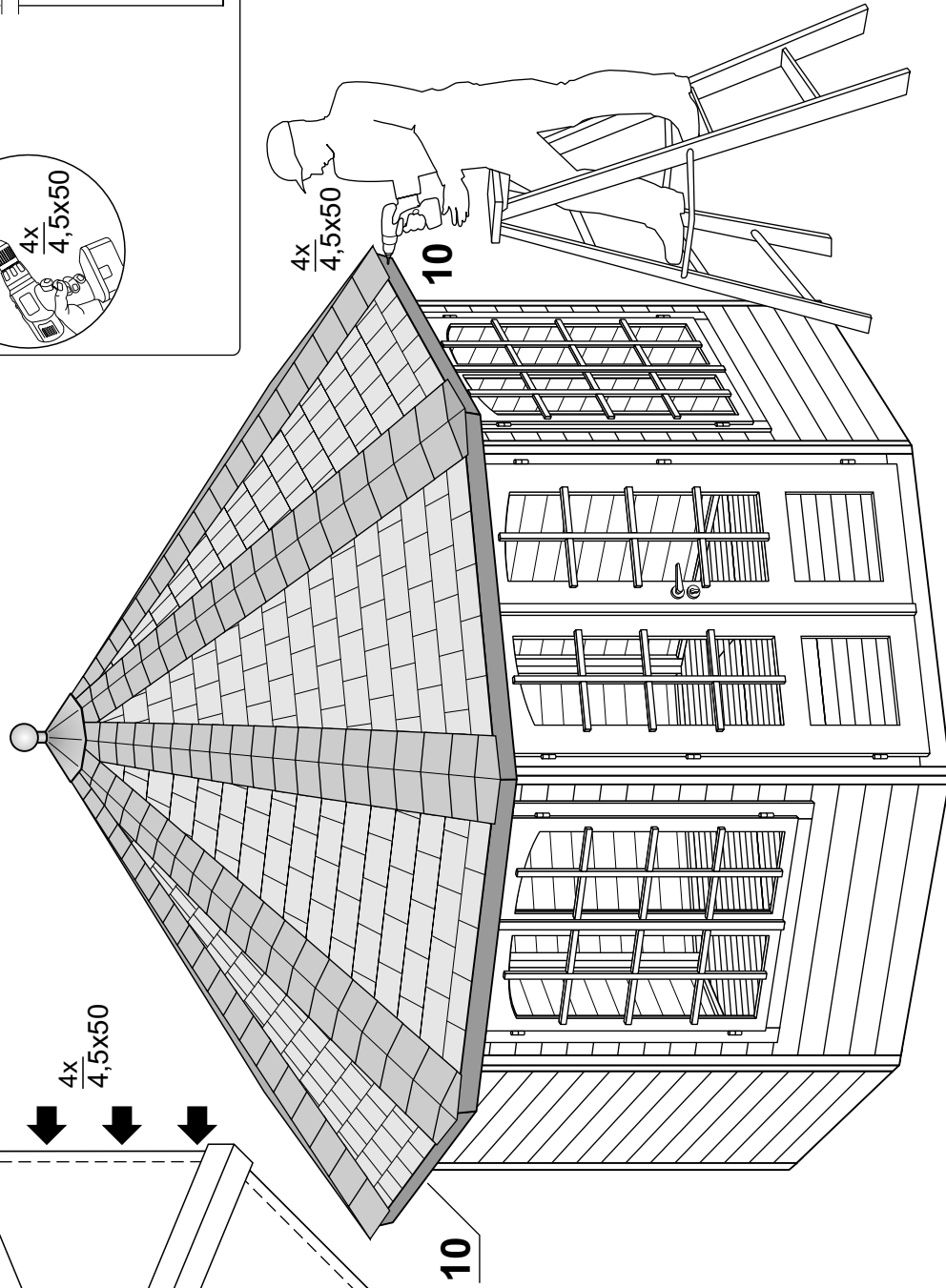
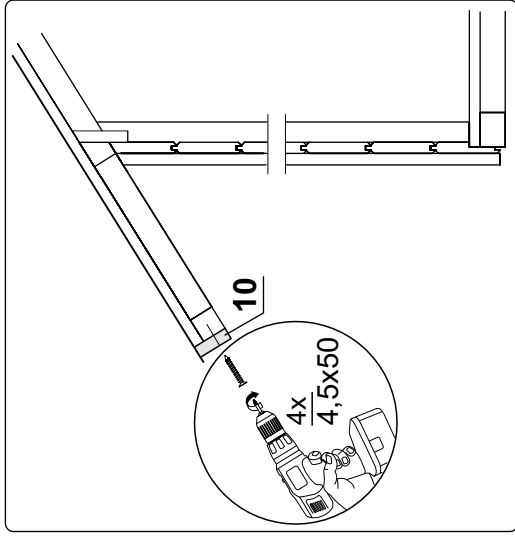
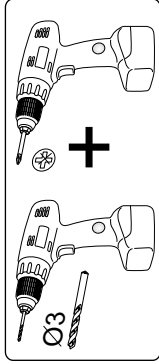
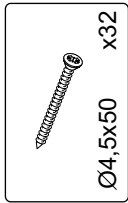
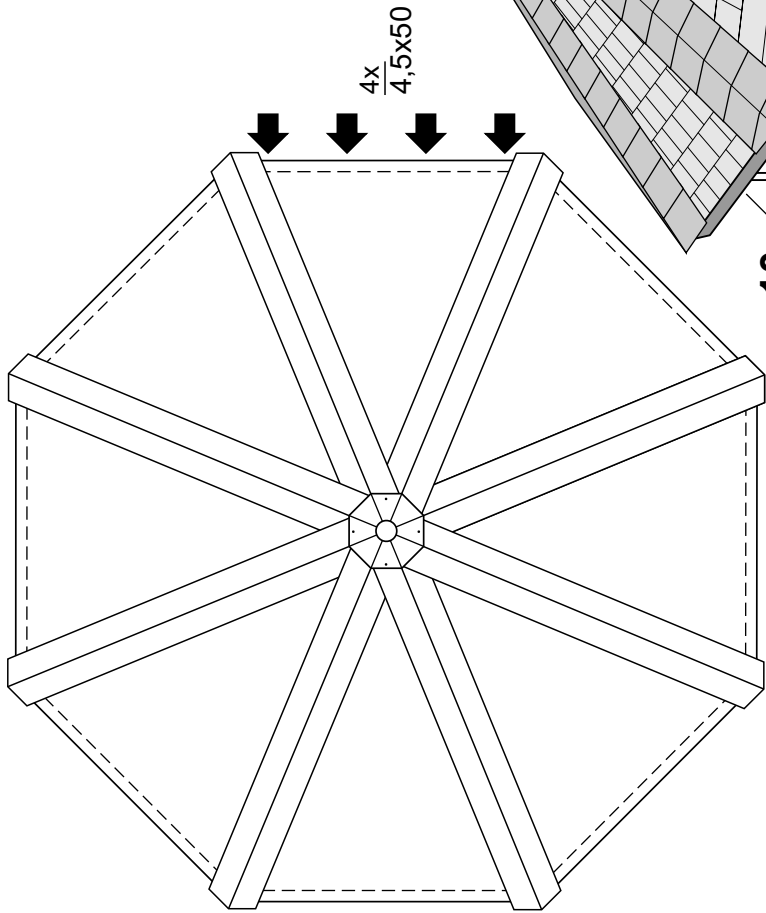
II

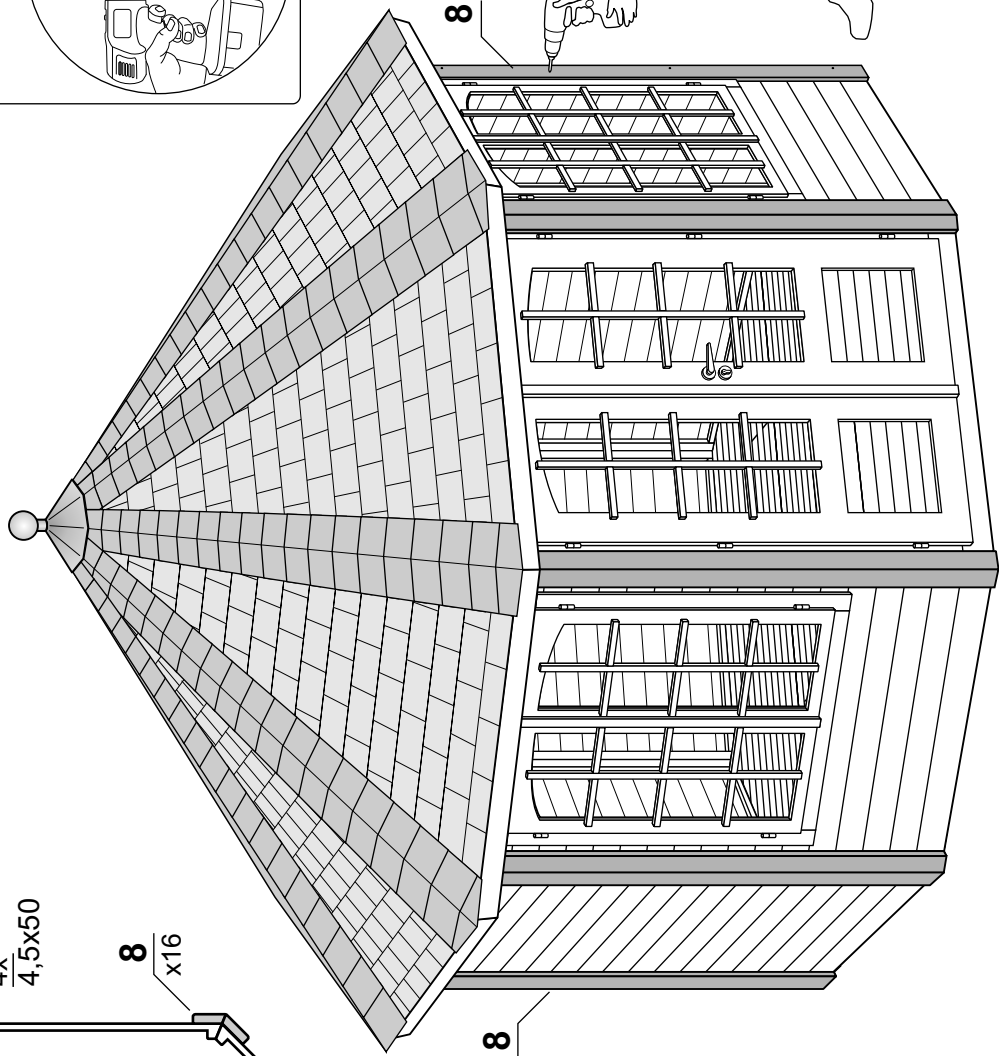
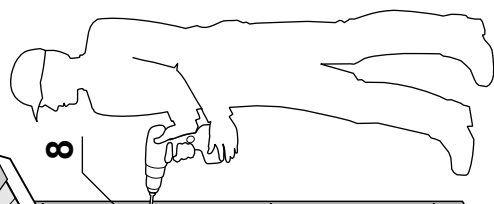
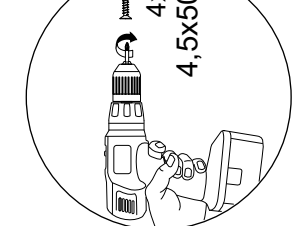
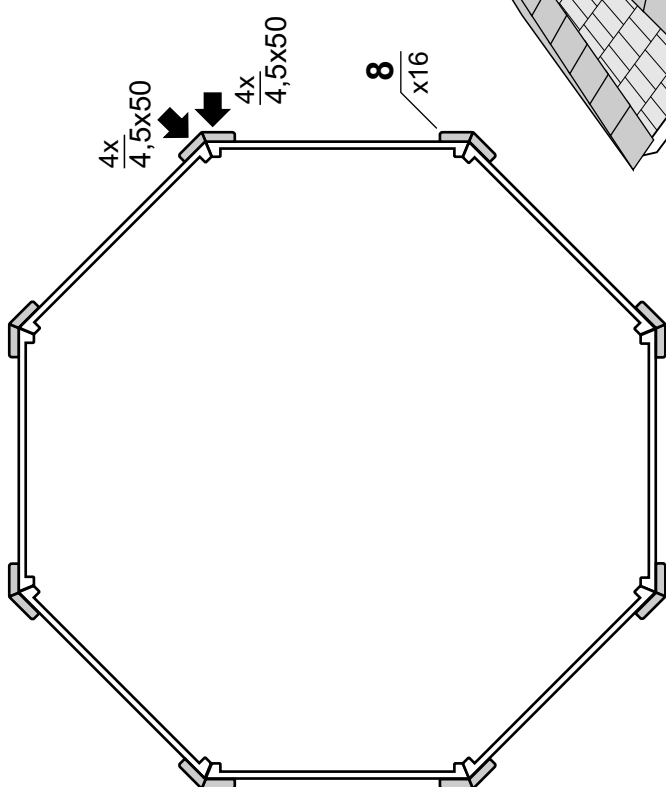
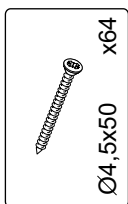
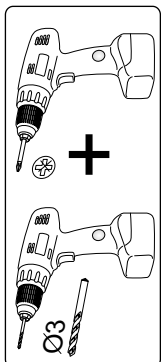
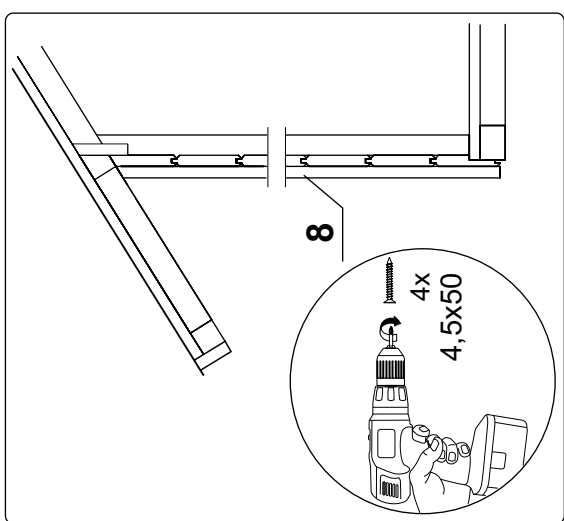


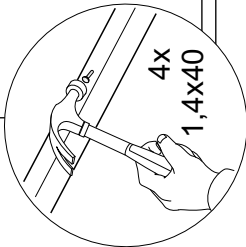
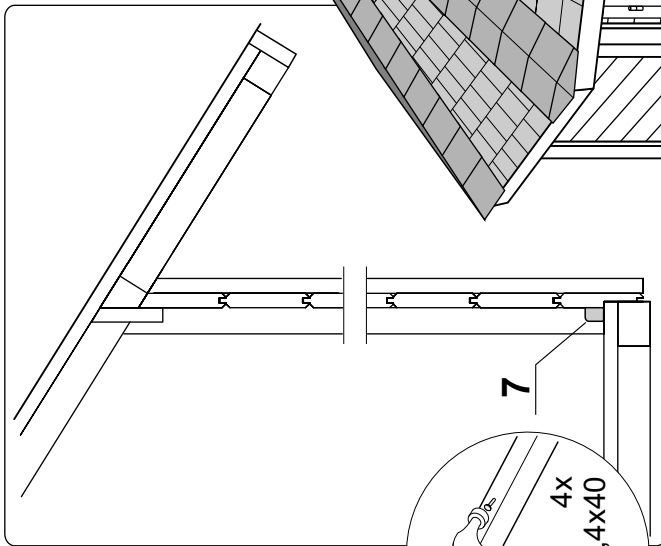
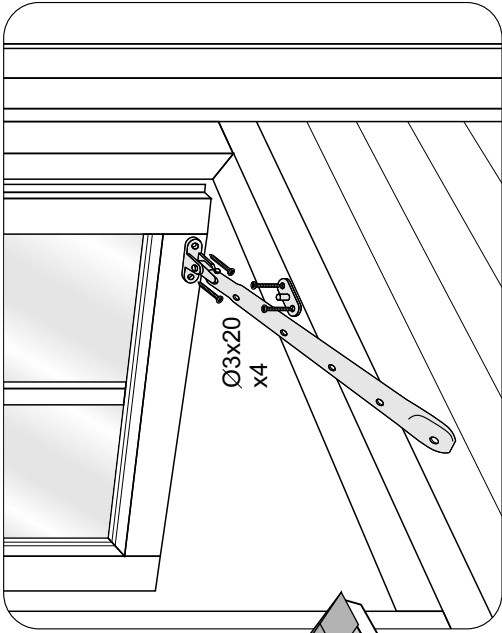
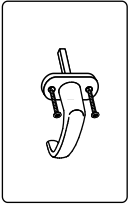
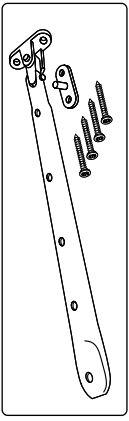
III

4x
Ø3x20



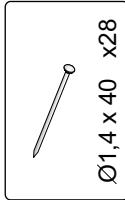




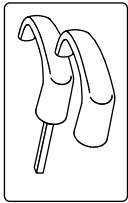
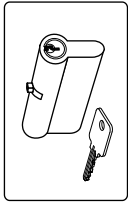
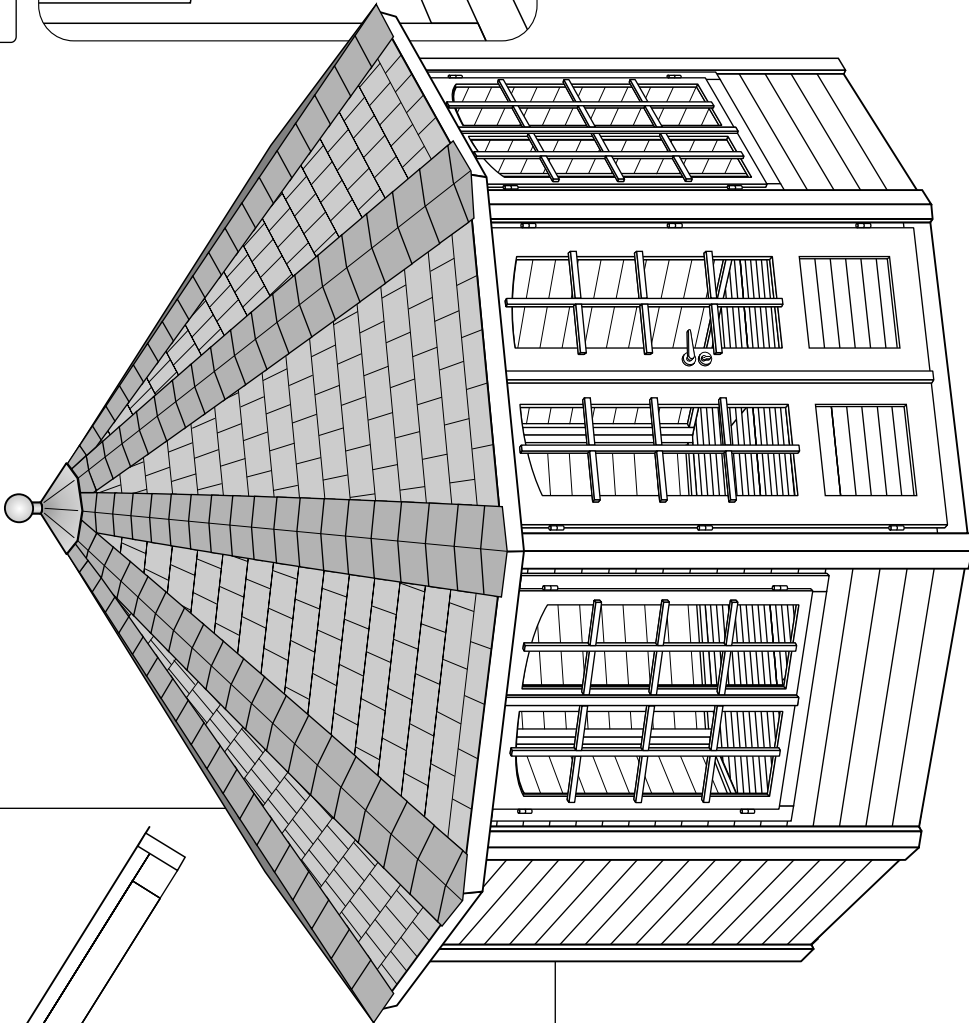
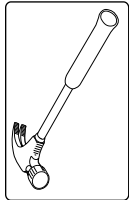


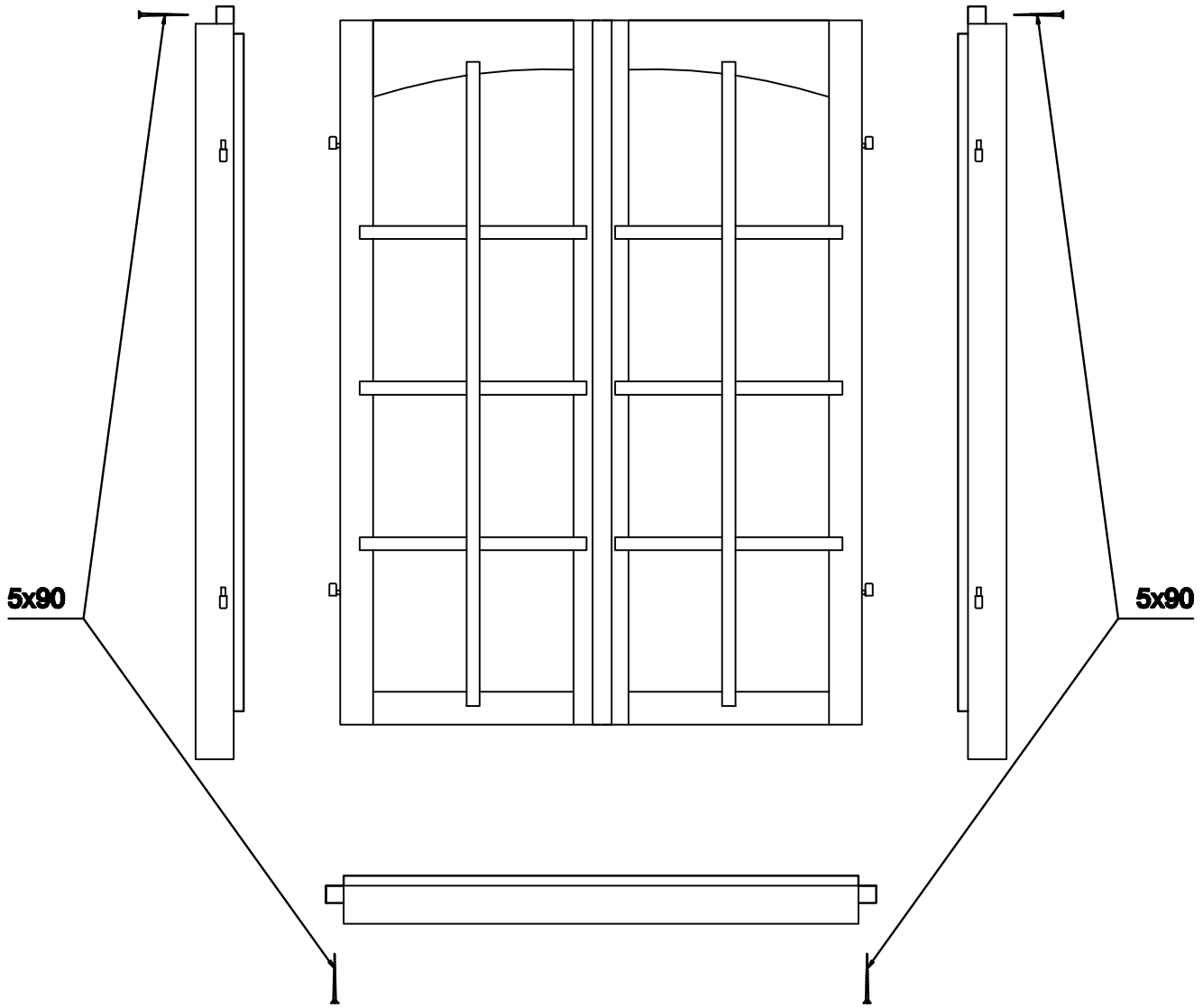
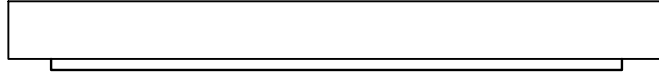
7

4x
1,4x40



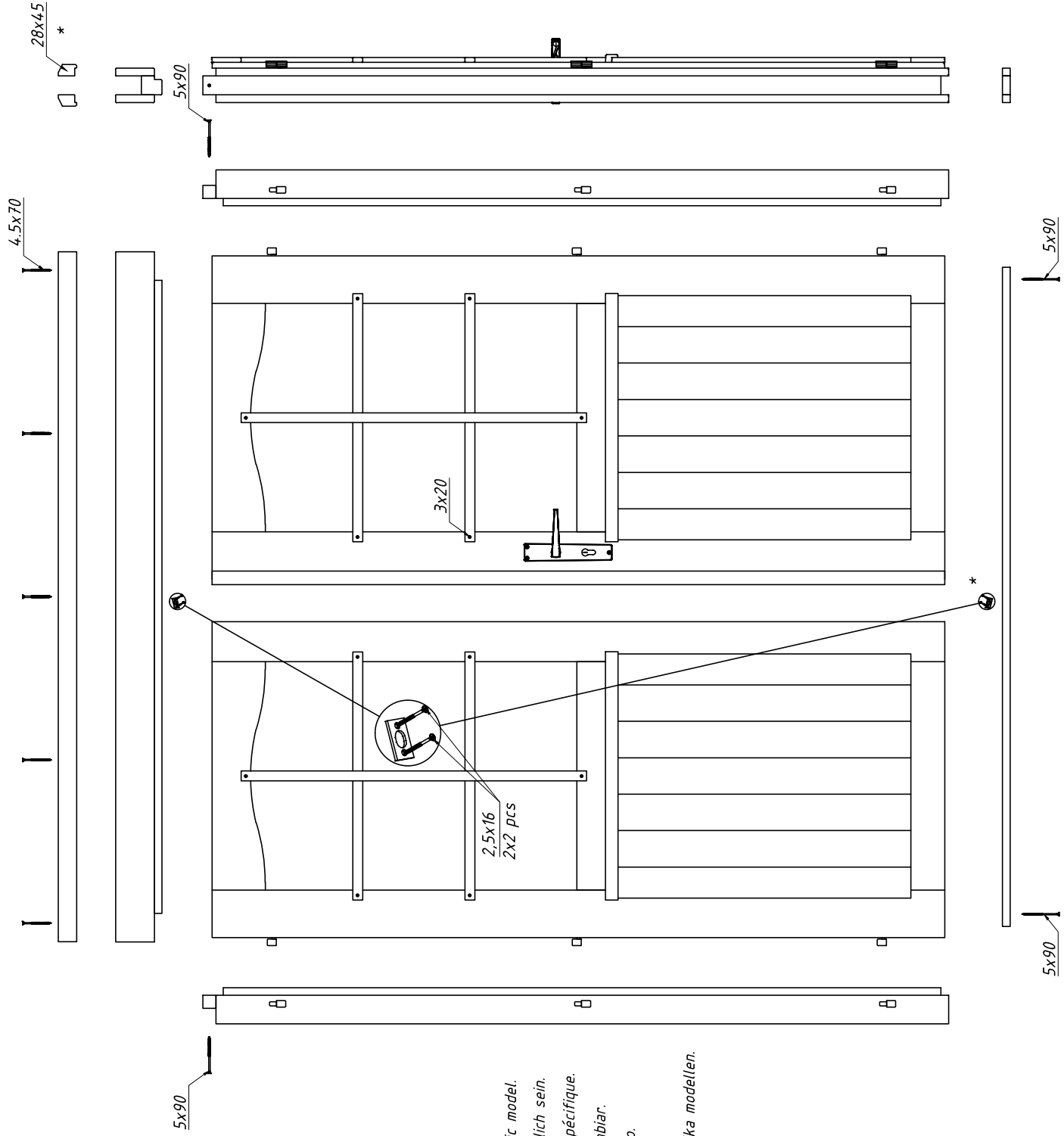
Ø1,4 x 40 x 28





5x90

5x90



- * The specification may vary depending on the specific model.
- * Die Spezifikation können je nach Modell unterschiedlich sein.
- * Les spécifications peuvent varier selon le modèle spécifique.
- * Dependiendo del modelo, la especificación puede cambiar.
- * Le specifiche possono variare a seconda del modello.
- * Tekniset tiedot voivat vaihdella mallista riippuen.
- * Specifikationen kan variera beroende på den specifika modellen.