



# Installation manual

## Pavilion SAN DIEGO 2

Diameter Ø 285 cm

Log thickness 28 mm



The producer shall have the right to make technical changes to the product • Technische Änderungen vorbehalten • Le producteur réserve le droit d'effectuer des modifications techniques au produit • Il produttore mantiene il diritto di apportare modifiche tecniche al prodotto • Reservado el derecho a modificaciones técnicas • Valmistaja pidättää oikeuden tehdä tuotteeseen teknisiä muutoksia • Tillverkaren har rätt att utföra tekniska förändringar för produkten

## 1 General information



**Dear client,**

We are glad that you have decided in favour of our garden house!

**Please read the assembly manual carefully before proceeding with the house installation!** You will thus avoid problems and will not waste time.

### **Recommendations:**

- Keep the house package until its complete assembly in a dry place, but not in direct contact with the ground, protected from weather conditions (moisture, the sun, etc.). Do not keep the house package in a heated room!
- When selecting the garden house location, make sure that the house will not be subjected to extreme weather conditions (areas of strong snowfall or winds); otherwise you should attach the house (for instance, with anchors) to the subsoil.



### **Warranty**

Your house is made from high quality fir and delivered in the natural (unprocessed) form. If, despite our thorough inspection, you should have complaints, please submit the filled out control sheet and purchase invoice to the product seller.

**ATTENTION: Please be sure to keep the documentation accompanying the house package! The control sheet includes the control number of the house. We can only review complaints if you submit the control number of the house to the seller!**

The warranty does not cover:

- Peculiarities of wood as a natural material
- Wooden details already painted (processed with a wood preservative)
- Wooden details containing whole branches that do not endanger the stability of the house
- Colour tone variations caused by wood structure differences that do not influence wood lifetime
- Wooden details containing (caused by drying) small cracks/gaps that do not pass through and do not influence the structure of the house
- Twisted wooden details if they can nevertheless be installed
- Roof and floor boards that may have on their concealed surfaces some non-planed areas, colour differences and waning
- Complaints resulting from an incompetent manner of the installation of the house or the house subsiding due to an incompetently made foundation
- Complaints caused by introducing self-initiative changes to the house, such as the deformation of wooden details and doors/windows due to an incompetent manner of wood processing; the attachment of storm braces too rigidly, doorframes being screwed onto wall logs, etc.

**The complaints covered by the warranty are satisfied to the extent of replacing the deficient/faulty material. All other demands will be excluded!**



## Garden house painting and maintenance

Wood is a natural material, growing and adapting depending on weather conditions. Large and small cracks, colour tone differences and changes, as well as a changing structure of wood are not errors, but a result of wood growing and a peculiarity of wood as a natural material.

Unprocessed wood (except for foundation joists) becomes greyish after having been left untouched for a while, and can be turn blue and become mouldy. To protect the wooden details of your garden house, you must immediately process them with a wood preservative.

We recommend that you cover the floor boards in advance with a colourless wood impregnation agent, especially the bottom sides of the boards, to which you will no longer have access when the house is assembled. Only this will prevent moisture penetration.

We definitely recommend that you also process the doors and windows with a wood impregnation agent, and do that namely both inside and outside! Otherwise the doors and windows can become twisted.

After the house assembly is completed, we recommend for the conclusive finishing a weather protection paint that will protect wood from moisture and UV radiation.

When painting, use high quality tools and paints, follow the paint application manual and manufacturer's safety and usage instructions. Never paint a surface in strong sunlight or rainy weather. Consult a specialist regarding paints suitable for unprocessed softwood and follow the paint manufacturer's instructions.

Having been properly painted, your garden house's lifetime will increase substantially. We recommend that you inspect the house thoroughly once every six months.

## 2 Preparation for assembly

### Tools and preparation of components

To assemble the garden house, you will need the following tools:



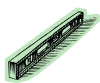
assembly aid



ladder



hammer



water-level



screwdriver



saw



knife



measuring tape

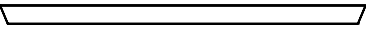
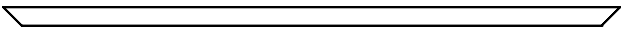
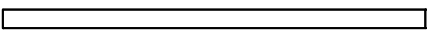
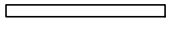

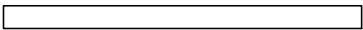
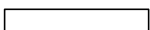
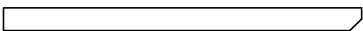

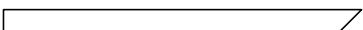
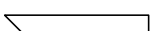
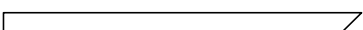

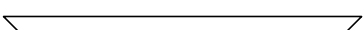







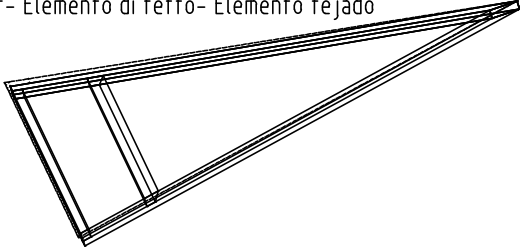
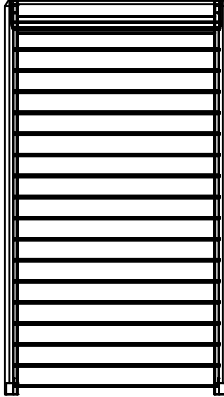
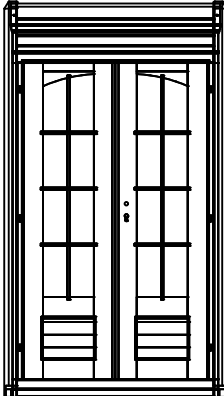
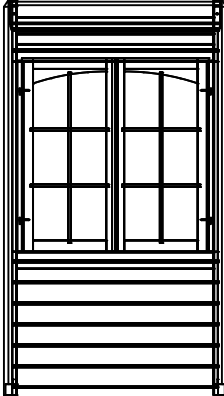
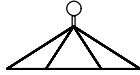
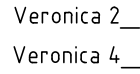
pliers








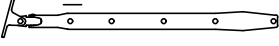



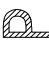
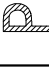

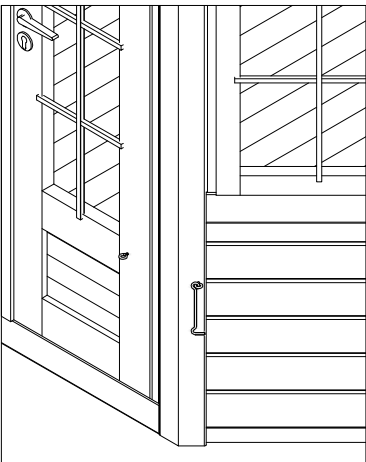


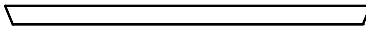
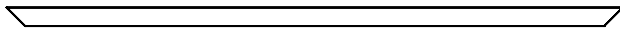
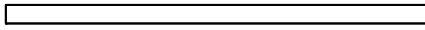
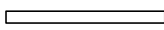

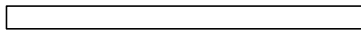
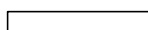
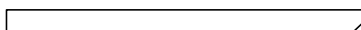


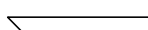
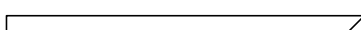
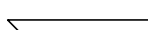
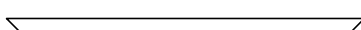





drill

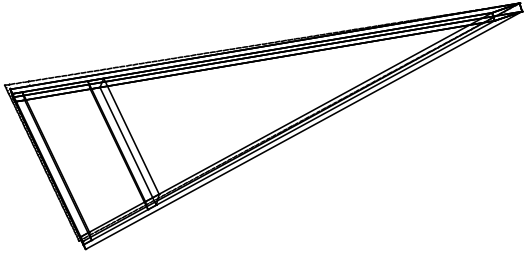
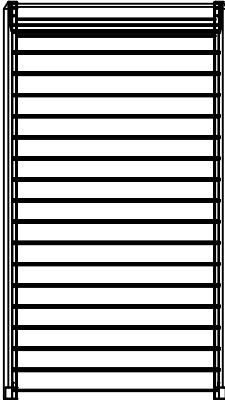
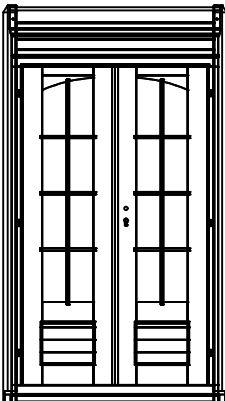
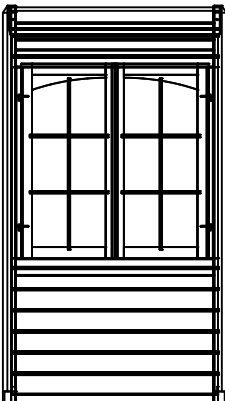
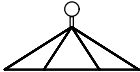
**ADVICE:** To avoid splinters, we recommend that you wear the corresponding protective gloves during the assembly process.

Pos	SPECIFICATION - STÜCKLISTE - NOMENCLATURE - ELEMENTI "PAP28-2929"/"PAP28-2929-1"	Pcs	Profile (mm)	Length (mm)
1	Foundation- Fundament- Fondation- Fondazione- Vigas de cimentación 	8	45x70	1185
2	Foundation- Fundament- Fondation- Fondazione- Vigas de cimentación 	2	45x70	1994
3	Foundation- Fundament- Fondation- Fondazione- Vigas de cimentación 	6	45x70	1360
4	Foundation- Fundament- Fondation- Fondazione- Vigas de cimentación 	3	45x45	600
5	Floor board- Fussbodenbrett- Madrier du plancher - Tavola pavimento- Tabla de suelo 			
5.1		13	19x89	1959
5.2		13	19x89	902
5.3		2	19x89	1959
5.4		2	19x89	902
5.5		2	19x89	1884
5.6		2	19x89	827
5.7		2	19x89	1795
5.8		2	19x89	738
5.9		2	19x89	2344
5.10		2	19x89	2177
5.11		2	19x89	1999
5.12		2	19x89	1821
5.13		2	19x89	1643
5.14		2	19x89	1465
5.15		2	19x89	1287
6	Fitting slat- Montagebrett- Tableau de montage- Tavola di montaggio- Tabla de montaje 	3	8x16	1200
7	Floor beading- Fussbodenleiste- Baguette du plancher- Listello pavimento- Listón de suelo 	7	19x40	1075
8	Wall batten- Wandleiste- Baguette du mur- Listello di muro- Liston de pared 	8+8	19x65	2056
9	Roof support brace- Dachstützleiste- Baguette de support de toit- Listello supporto tetto- Listón soporte tejado 	8	19x95	1075
10	Eave edging- Dachrandbrett- Madrier en bordure du toit- Tavola bordo tetto- Tabla de valadizo 	8	19x95	1482

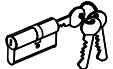
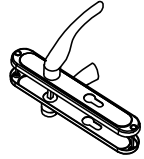
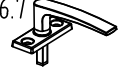






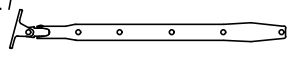






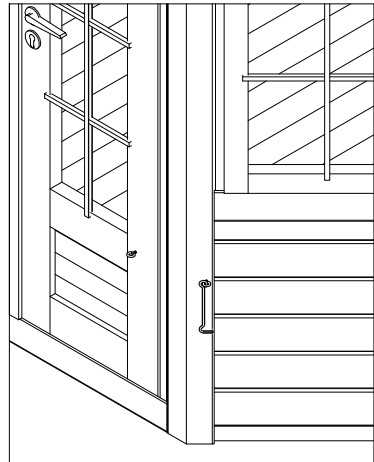
Pos	SPECIFICATION - STÜCKLISTE - NOMENCLATURE - ELEMENTI "PAP28-2929"/"PAP28-2929-1"	Pcs	Profile (mm)	Length (mm)
11	Roof element- Dachelement- Panneau de toit- Elemento di tetto- Elemento tejado 	8	61x1441	2185
12	Wall element- Wandelement- Panneau du mur- Elemento di muro- Elemento pared 	Veronica 2_6.7 5 Veronica 4_6.7 3	55x1196	2091
13	Door element- Türelement- Panneau du porte- Elemento di porta- Elemento puerta 	1	55x1196	2091
14	Window element- Fensterelement- Panneau de la fenêtre- Elemento di finestra- Elemento ventana 	Veronica 2_6.7 2 Veronica 4_6.7 4	55x1196	2091
15	Roof cap- Dachkappe- Finition métallique- Finitura di tetto- Caballete de tejado Qkoonus8M 	1		
16	Wind brace- Windbrett- Madrier contre le vent- Tavola vento- Tabla contra el viento 	Veronica 2_6.7 5 Veronica 4_6.7 9	19x70	1075

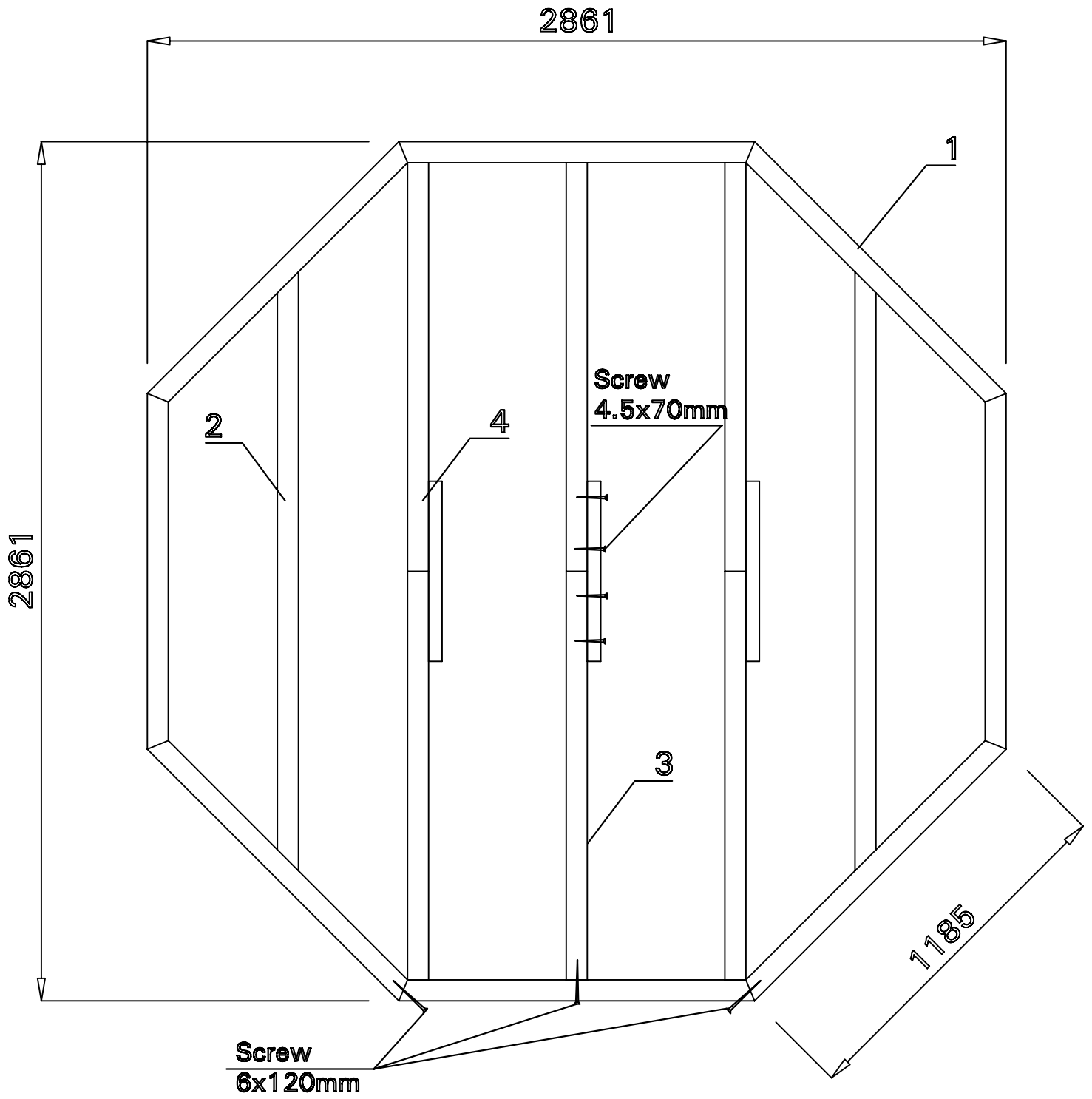
Pos	SPECIFICATION - STÜCKLISTE - NOMENCLATURE - ELEMENTI "PAP28-2929"/"PAP28-2929-1"	Pcs	Profile (mm)	Length (mm)
17	Fixing kit- Befestigungsset- Moyens de fixation- Materiale di fissaggio- Kit de fijación	1		
QULSy damik 30/40	Cylinder- Zylinderschloss- Serrure a mortaiser- Serratura a cilindro- Bombin- 30.40	1		
QULlink jakate	Door fittings- Türbeschlag- Ferrure- Ferramenta porta- Manilla puerta	1		
QALLi nkHOBE	Window fittings- Fenstergriff- Poigne de la fenêtre- Maniglia finestra- Manilla (ventana)	Veronica 2_6.7 / Veronica 4_6.7 2/4		
QKR4 5x50Zn	Screw- Schraube- Vis- Vite- Tornillo- 4.5x50mm		210	
QKR4 5x70Zn	Screw- Schraube- Vis- Vite- Tornillo- 4.5x70mm		68	
QKR5 x90Zn	Screw- Schraube- Vis- Vite- Tornillo- 5x90mm		40	
QKR6x 120Zn	Screw- Schraube- Vis- Vite- Tornillo- 6x120mm		22	
QNA1 4x40M	Nail- Nagel- Clou- Chiodo- Clavo- 1.4x40mm		28	
QNA2 2x50Zn	Nail- Nagel- Clou- Chiodo- Clavo- 2.5x50mm		300	
QAF240Zn	Window stop- Fensterfeststelle- Crémaillere- Fissativo finestra- Fijador de ventana- QAF240Zn	Veronica 2_6.7 / Veronica 4_6.7 	4/8	
QServa riiviv astus120	Keeper- Schliessblech- Tole- Lamiera- Aldaba de candado	Veronica 2_6.7 / Veronica 4_6.7 	5/9	
QKR2_5 x16kZn	Screw- Schraube- Vis- Vite- Tornillo- 2.5x16mm	Veronica 2_6.7 / Veronica 4_6.7 	12/20	
QKR3 x20Zn	Screw- Schraube- Vis- Vite- Tornillo- 3x20mm	Veronica 2_6.7 / Veronica 4_6.7 	48/72	
QTP5_ 5x9Li imPR-2	Seal- Gummidichtung- Joint d'isolation- Guarnizione- Burlate- QTP5_5x9LiimPR	Veronica 2_6.7 / Veronica 4_6.7 	1/1	8000
QTP5_ 5x9Li imPR-2	Seal- Gummidichtung- Joint d'isolation- Guarnizione- Burlate- QTP5_5x9LiimPR	Veronica 2_6.7 / Veronica 4_6.7 	2/4	6000
QHaak1 50mmZn	Hook- Haken- Crochet- Ganzio- Pestillo QHaak150mmZn	 	2	Door+Wall

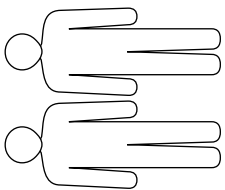
Pos	SPECIFIKATION - MÄÄRITYS "PAP28-2929"/"PAP28-2929-1"	Pcs	Profile (mm)	Length (mm)
1	Grund-Perustus 	8	45x70	1185
2	Grund- Perustus 	2	45x70	1994
3	Grund- Perustus 	6	45x70	1360
4	Grund- Perustus 	3	45x45	600
5	Golvbräda- Lattialauta 			
5.1		13	19x89	1959
5.2		13	19x89	902
5.3		2	19x89	1959
5.4		2	19x89	902
5.5		2	19x89	1884
5.6		2	19x89	827
5.7		2	19x89	1795
5.8		2	19x89	738
5.9		2	19x89	2344
5.10		2	19x89	2177
5.11		2	19x89	1999
5.12		2	19x89	1821
5.13		2	19x89	1643
5.14		2	19x89	1465
5.15		2	19x89	1287
6	Passbit- Asennuslista 	3	8x16	1200
7	Golvlister- Lattialista 	7	19x40	1075
8	Spikläkt- Seinärima 	8+8	19x65	2056
9	Takstol- Katon jäykistystuki 	8	19x95	1075
10	Takfotsbräda- Räystään reuna 	8	19x95	1482

Pos	SPECIFIKATION - MÄÄRITYS "PAP28-2929"/"PAP28-2929-1"	Pcs	Profile (mm)	Length (mm)
11	Takelement- Kattoelementti 	8	61x1441	2185
12	Väggelement- Seinäelementti 	Veronica 2_6.7 5 Veronica 4_6.7 3	55x1196	2091
13	Dörrelement- Ovielementti 	1	55x1196	2091
14	Fönsterelement- Ikkunaelementti 	Veronica 2_6.7 2 Veronica 4_6.7 4	55x1196	2091
15	Takåstäckning- Tuuletusputken hattu- Qkoonus8M 	1		
16	Vindskiva- Tuuliside Veronica 2_6.7 5 Veronica 4_6.7 9	5 9	19x70	1075



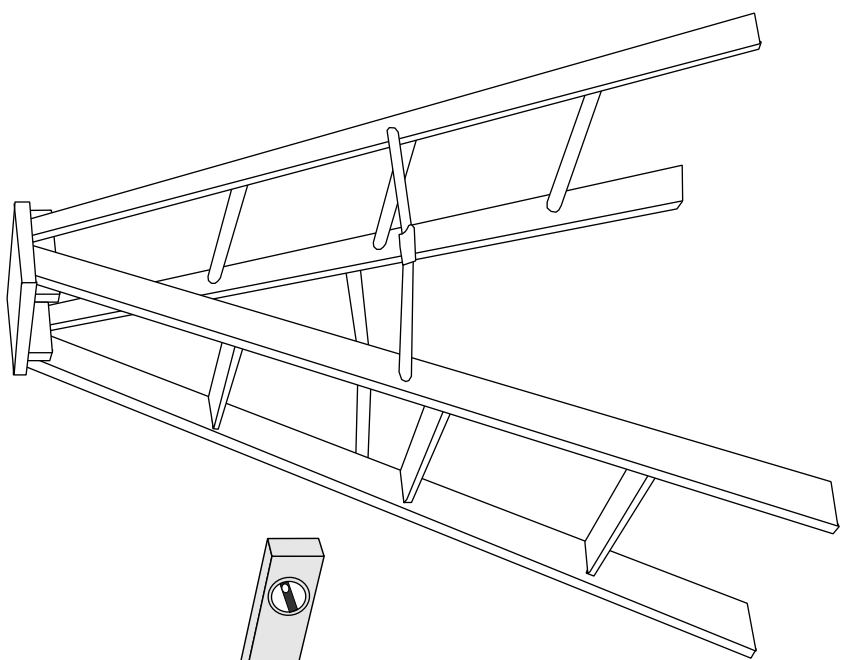
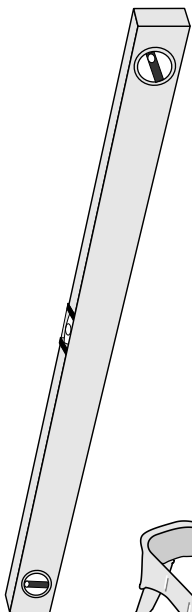
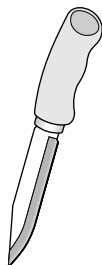
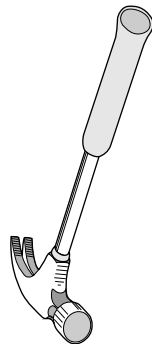
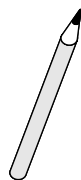
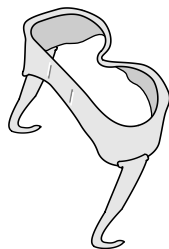
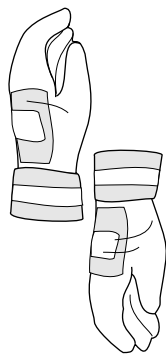
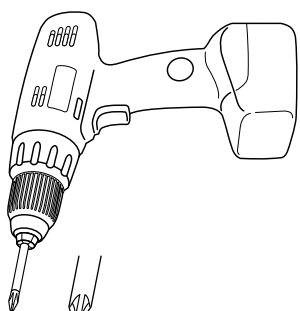
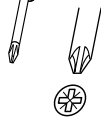
Pos	SPECIFIKATION - MÄÄRITYS "PAP28-2929"/"PAP28-2929-1"		Pcs	Profile (mm)	Length (mm)
17	Infästningssats- Kiinnityssarja		1		
QULSy damik 30/40	Cylinder- Sylinteri		1		
QULlink jakate	Dörrbeslag- Ovihelat		1		
QALLi nkHOBE	Fönsterbeslag- Ikkunahelat	Veronica 2_6.7 / Veronica 4_6.7 	2/4		
QKR4 5x50ZN	Skruv- Ruuvi 4.5x50mm		210		
QKR4 5x70ZN	Skruv- Ruuvi 4.5x70mm		68		
QKR5 x90ZN	Skruv- Ruuvi 5x90mm		40		
QKR6x 120ZN	Skruv- Ruuvi 6x120mm		22		
QNA1 4x40M	Spik- Naula 1.4x40mm		28		
QNA2 2x50Zn	Spik- Naula 2.5x50mm		300		
QAF240Zn	Fönsterstopp- Ikkunan rajoitin	Veronica 2_6.7 / Veronica 4_6.7 	4/8		
QServa riiviv astus120	Hållare- Pidike	Veronica 2_6.7 / Veronica 4_6.7 	5/9		
QKR2_5 x16kZN	Skruv- Ruuvi 2.5x16mm	Veronica 2_6.7 / Veronica 4_6.7 	12/20		
QKR3 x20ZN	Skruv- Ruuvi 3x20mm	Veronica 2_6.7 / Veronica 4_6.7 	48/72		
QTP5_5 x9LiimPR-2	Tiiviste- Tätning- QTP5_5x9LiimPR	Veronica 2_6.7 / Veronica 4_6.7 	1/1		8000
QTP5_5 x9LiimPR-2	Tiiviste- Tätning- QTP5_5x9LiimPR	Veronica 2_6.7 / Veronica 4_6.7 	2/4		6000
QHaak1 50mmZn	Krok- Koukku	 	2	Dörr+Vägg Ovi+Seinä	

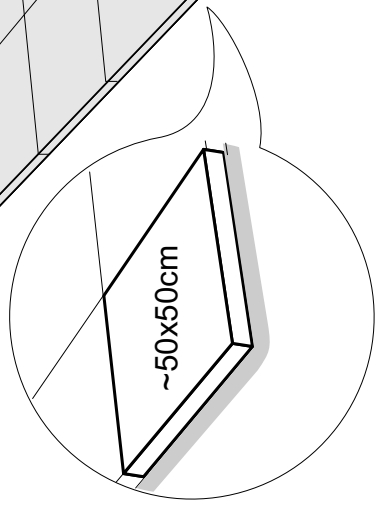
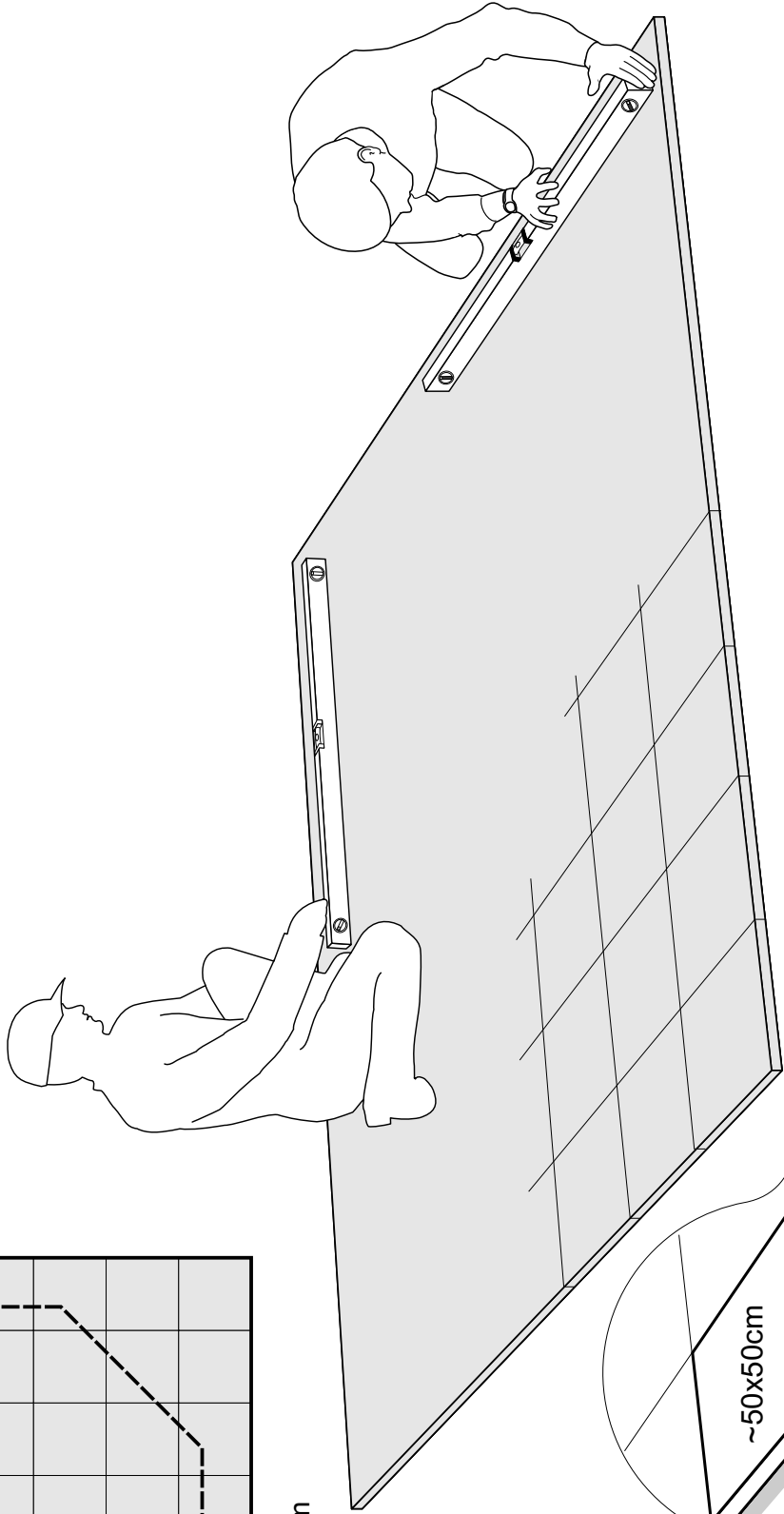
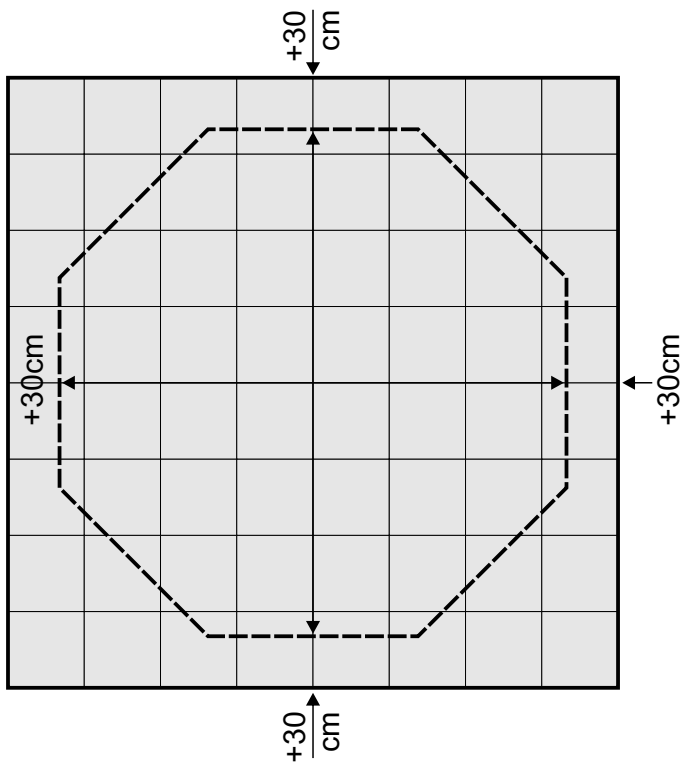
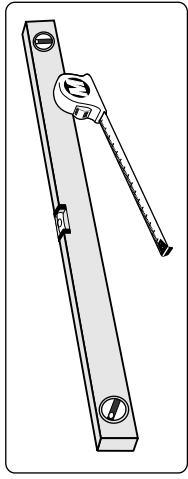


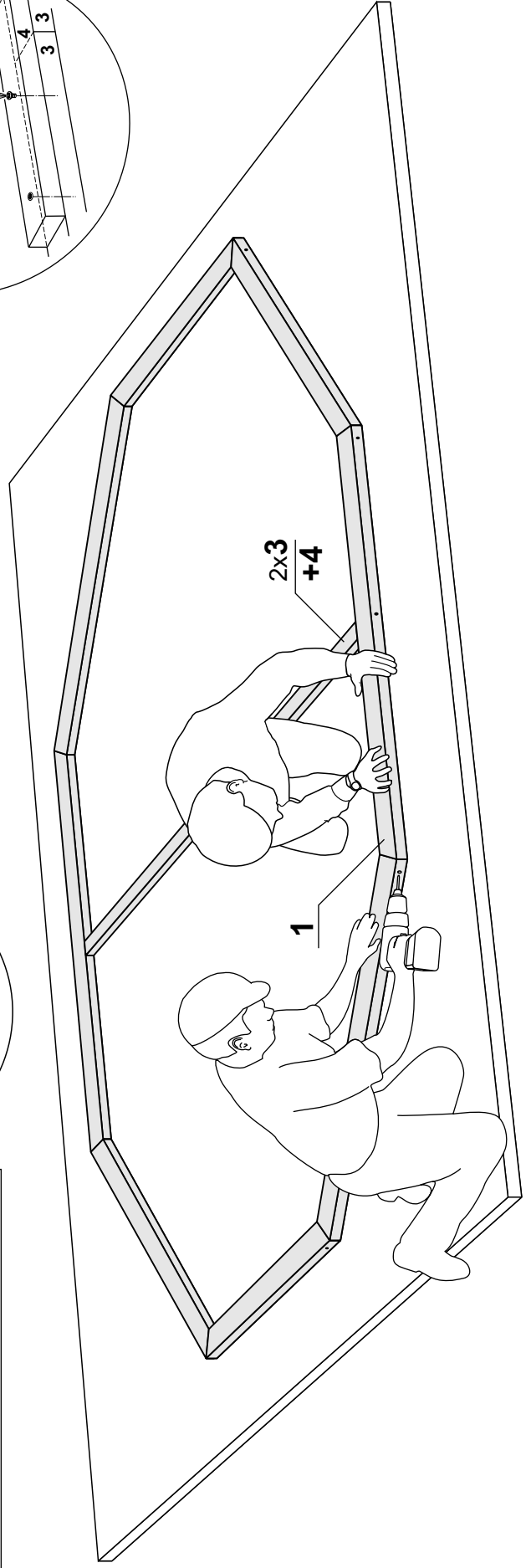
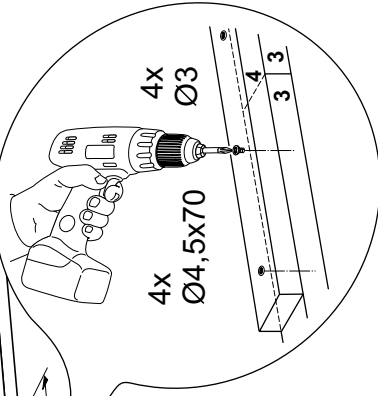
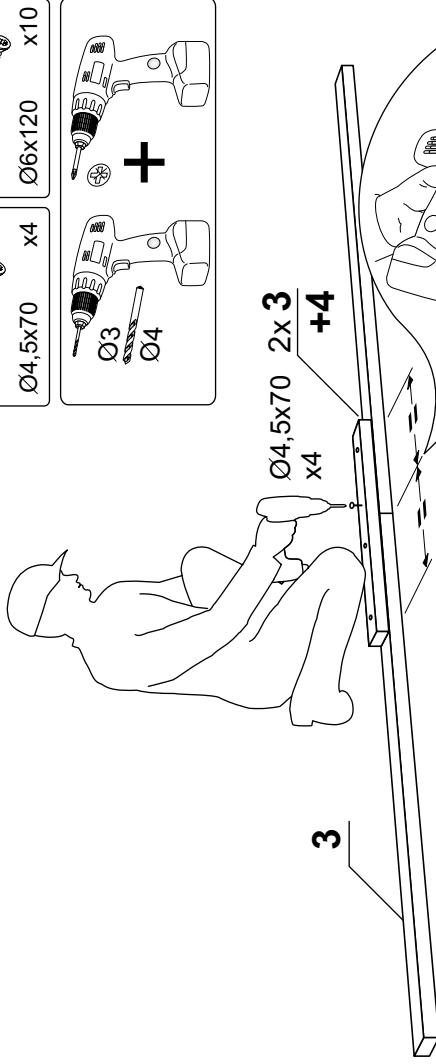
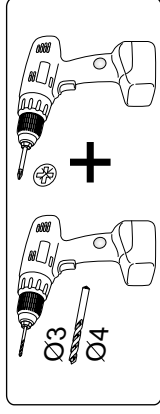
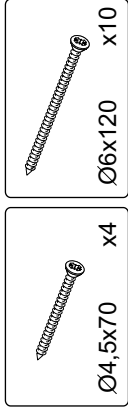
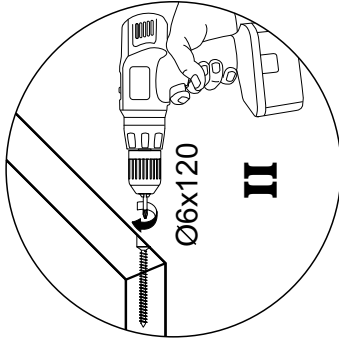
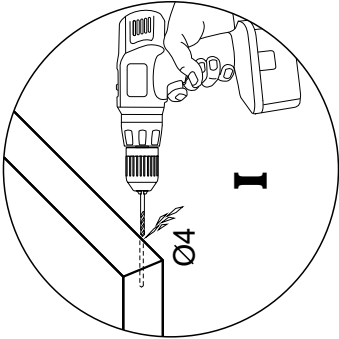
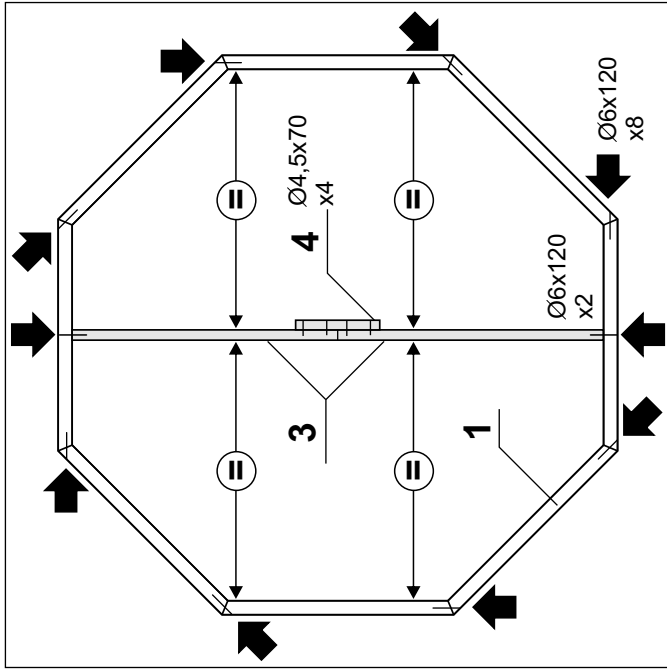


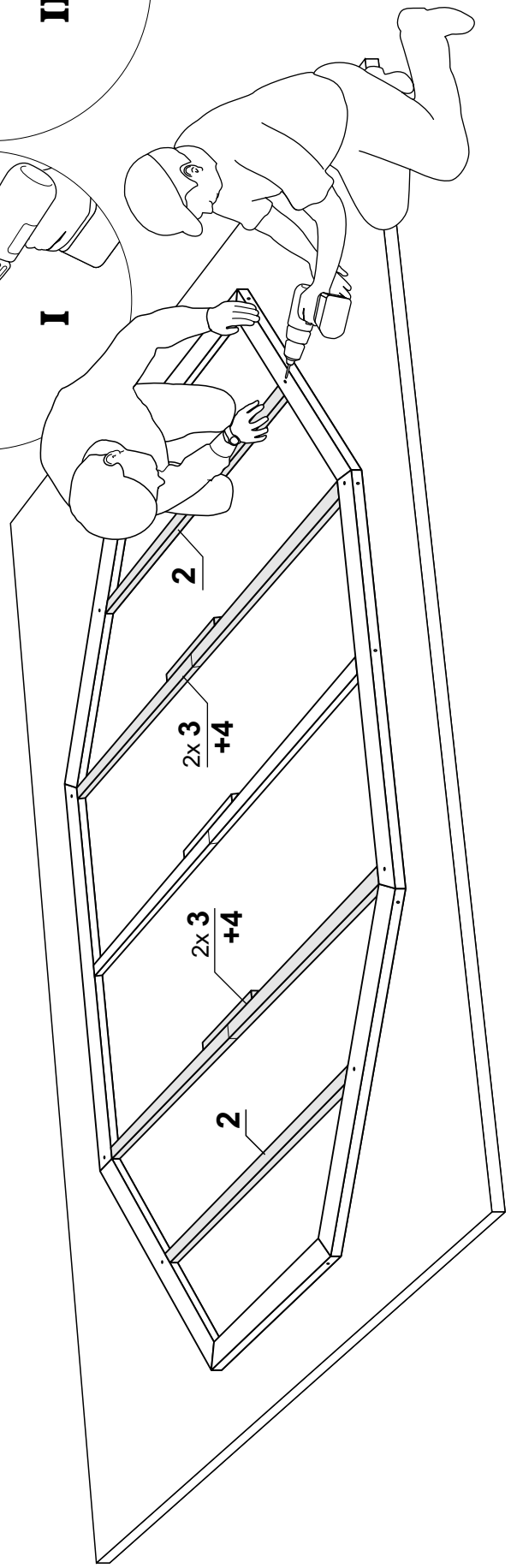
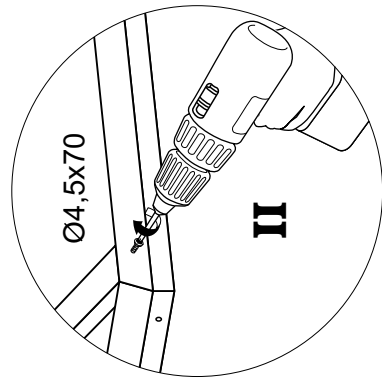
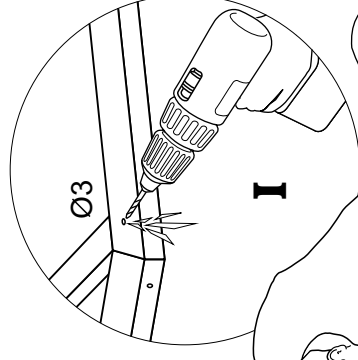
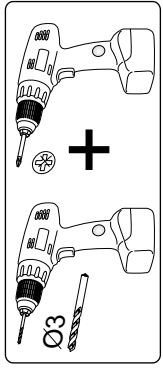
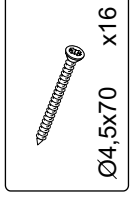
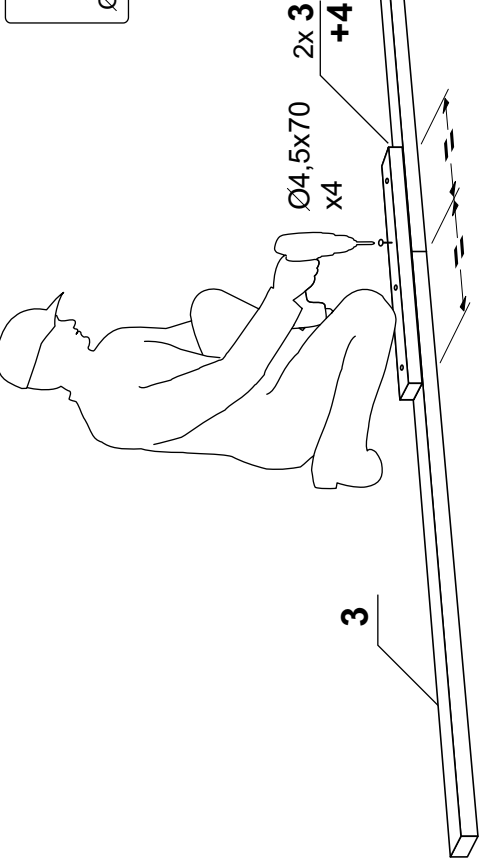
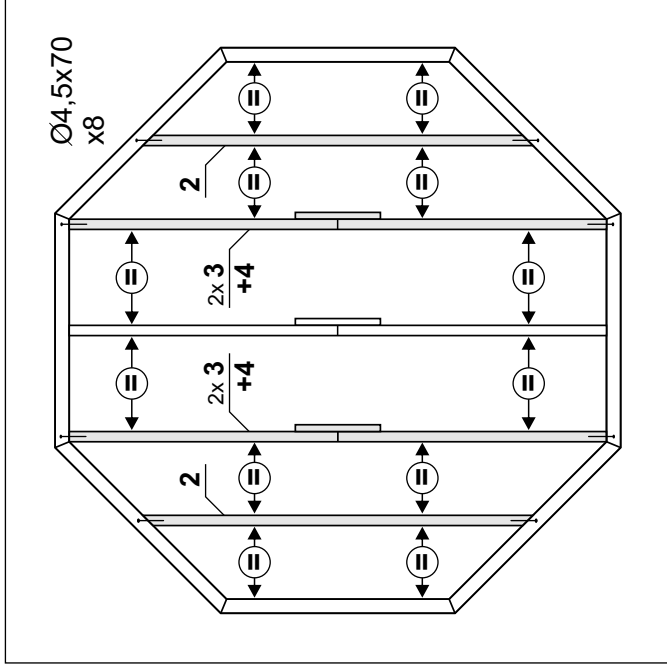
Ø4

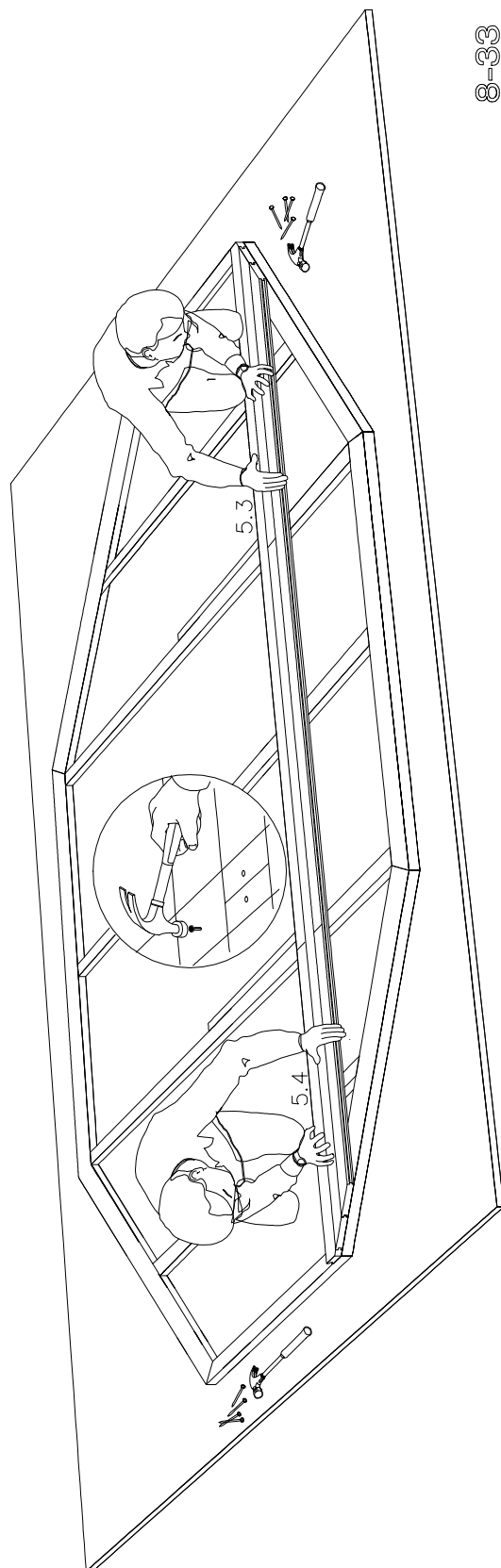
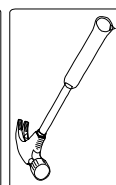
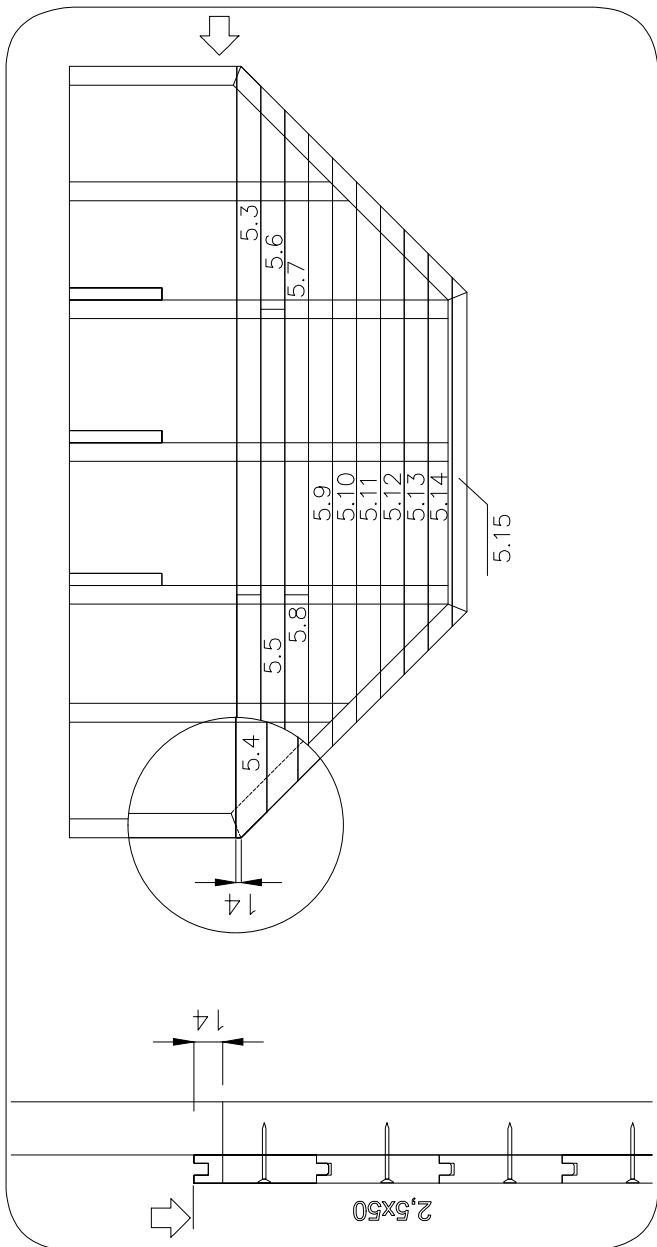
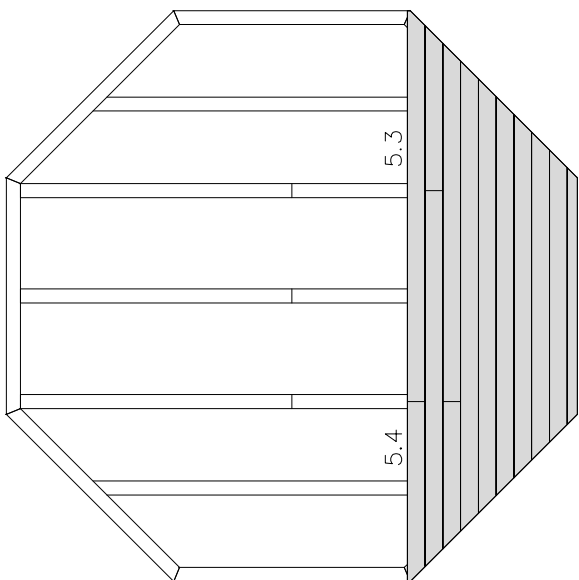
Ø3

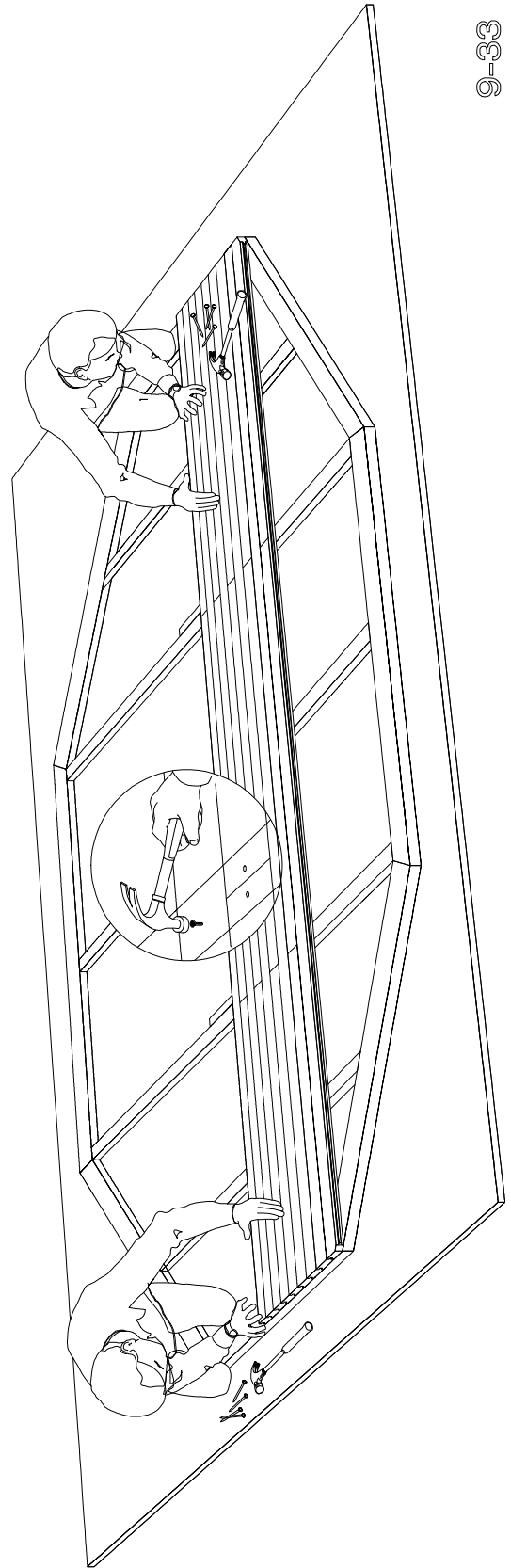
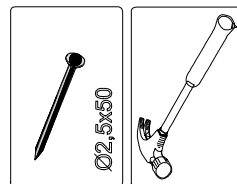
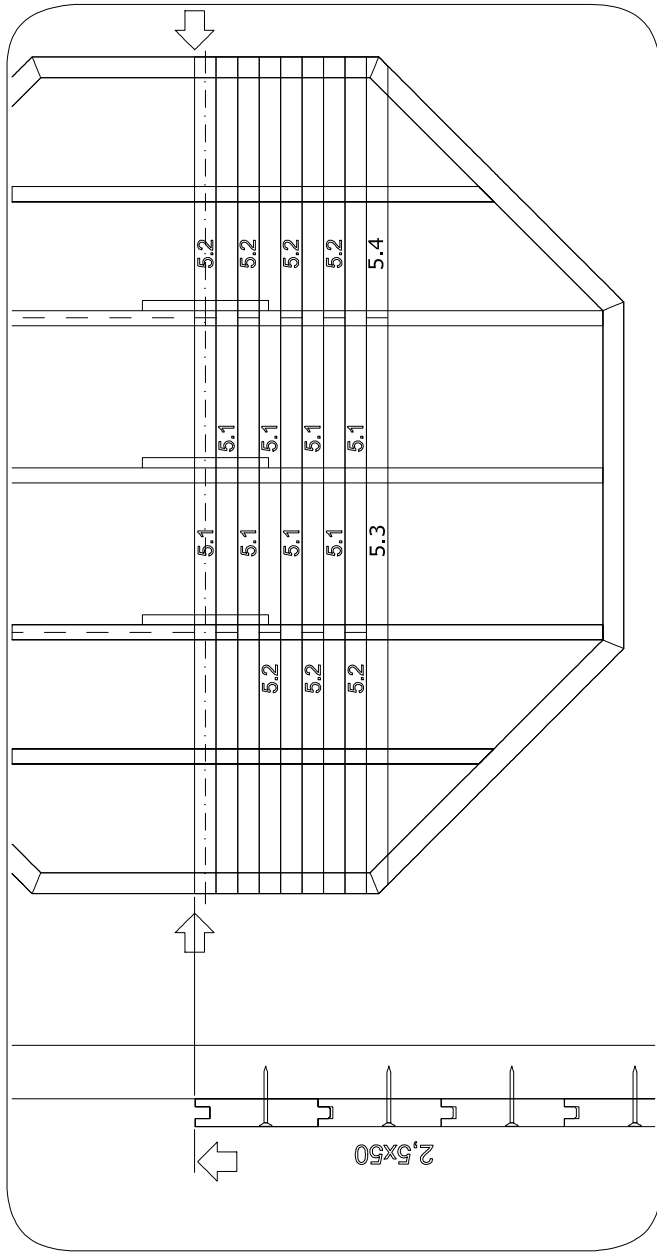
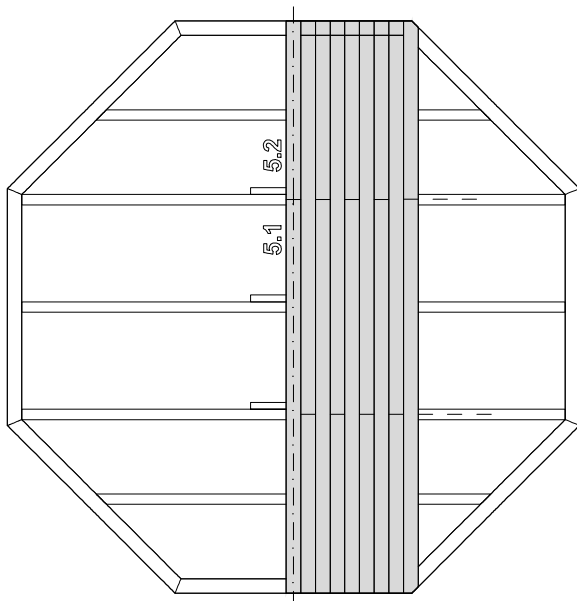




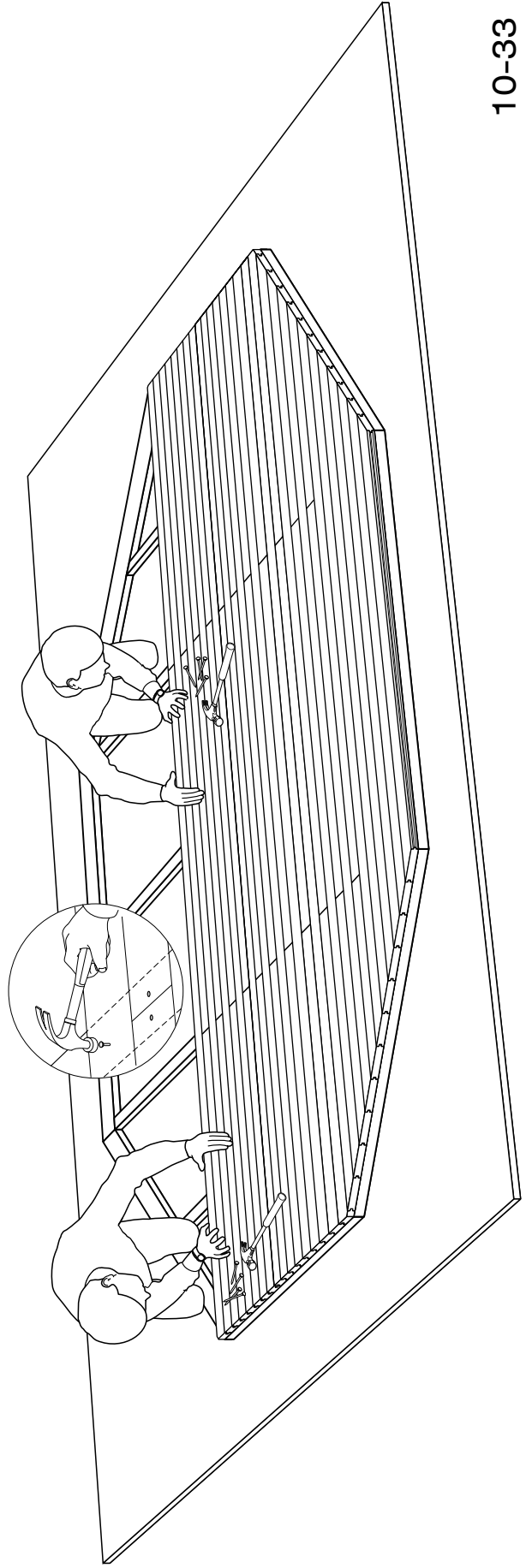
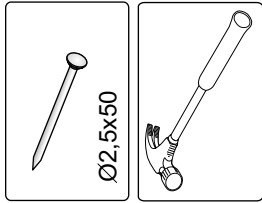
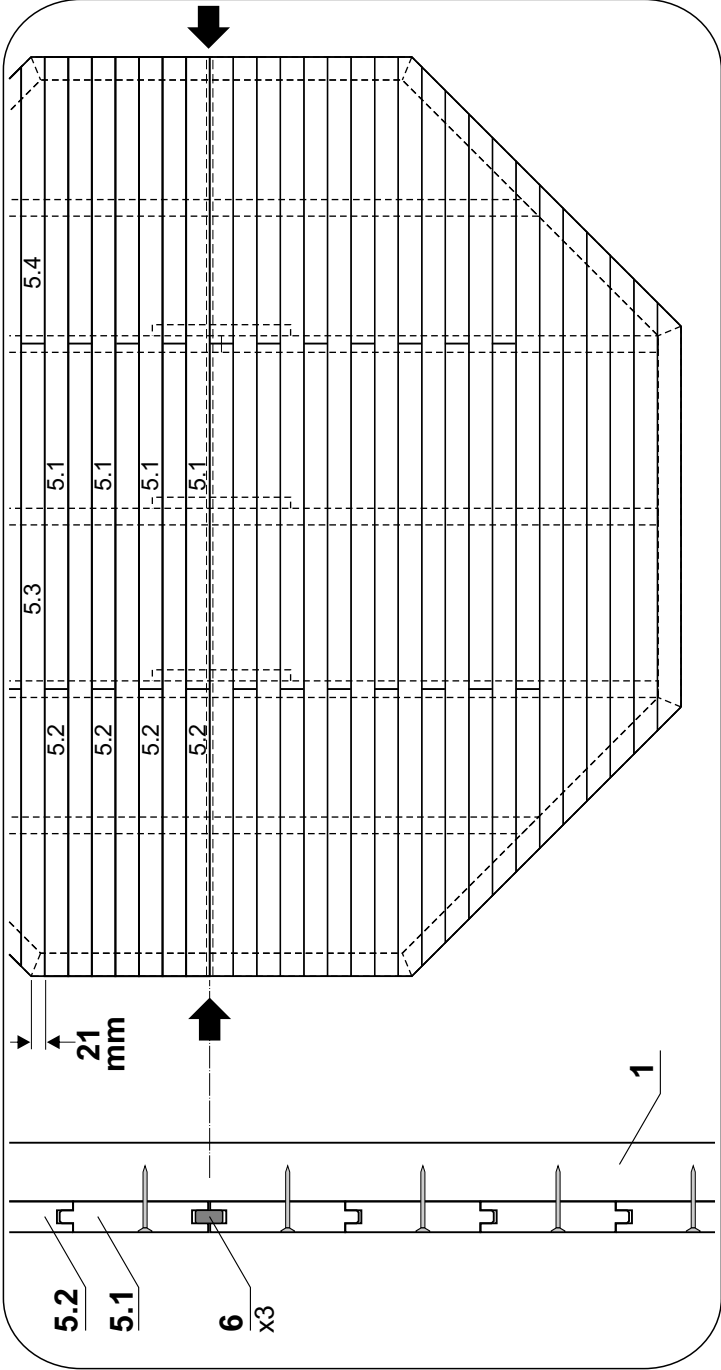
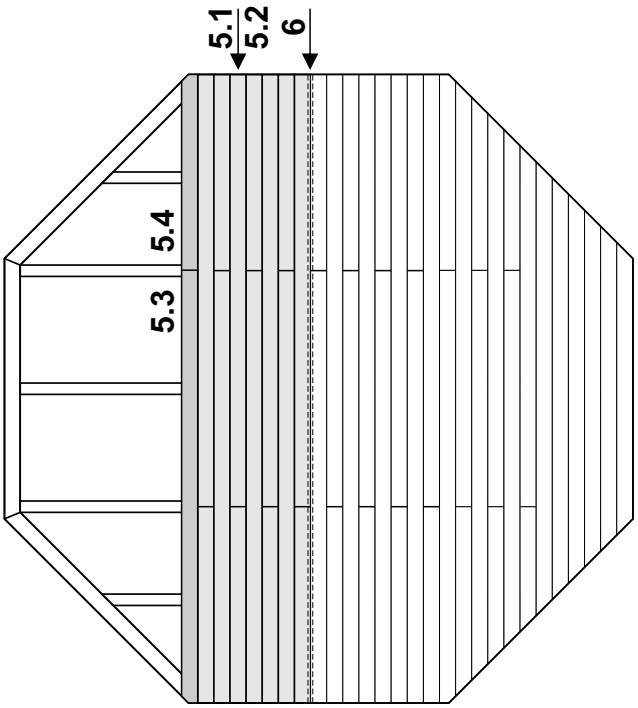


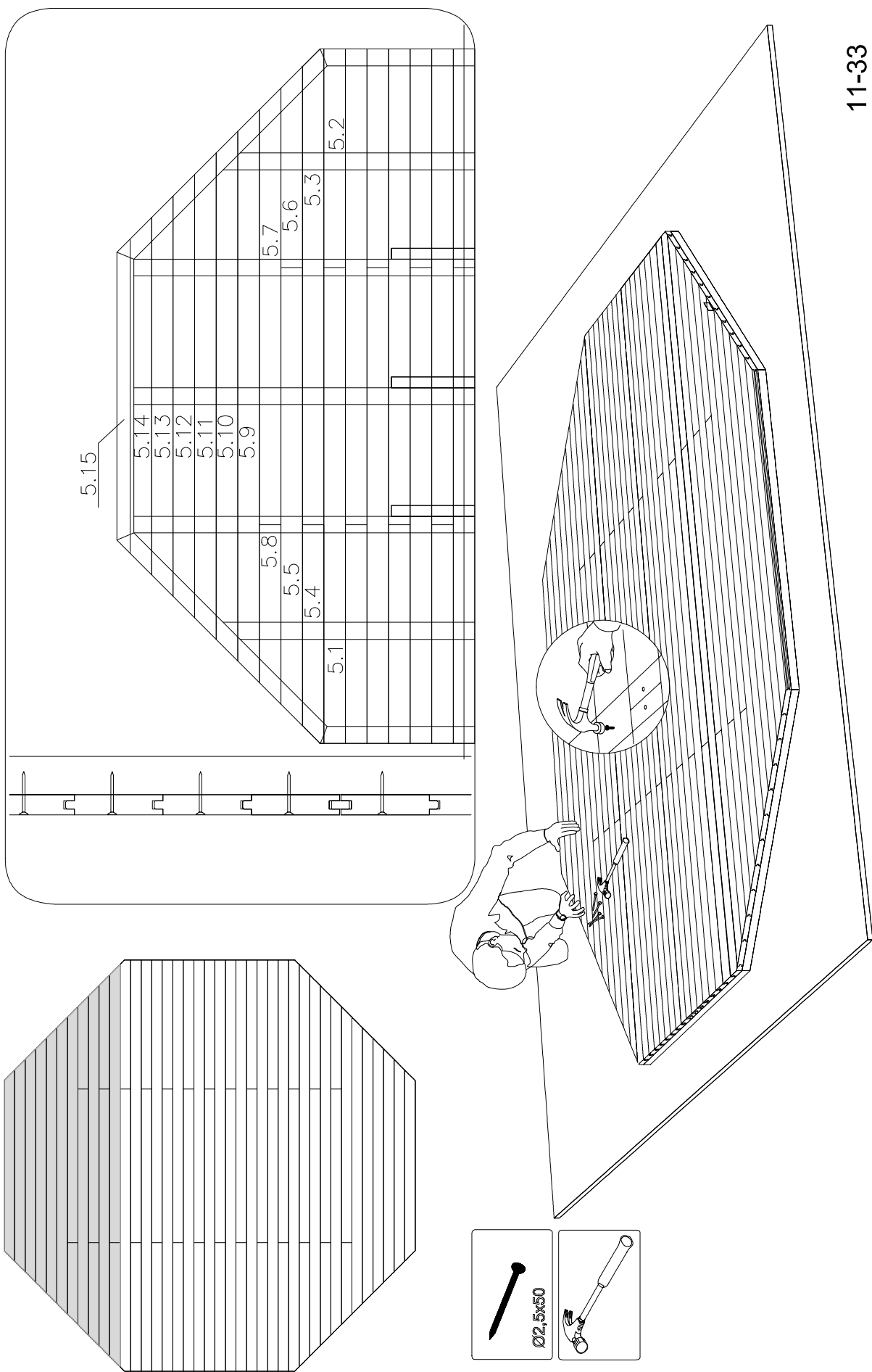




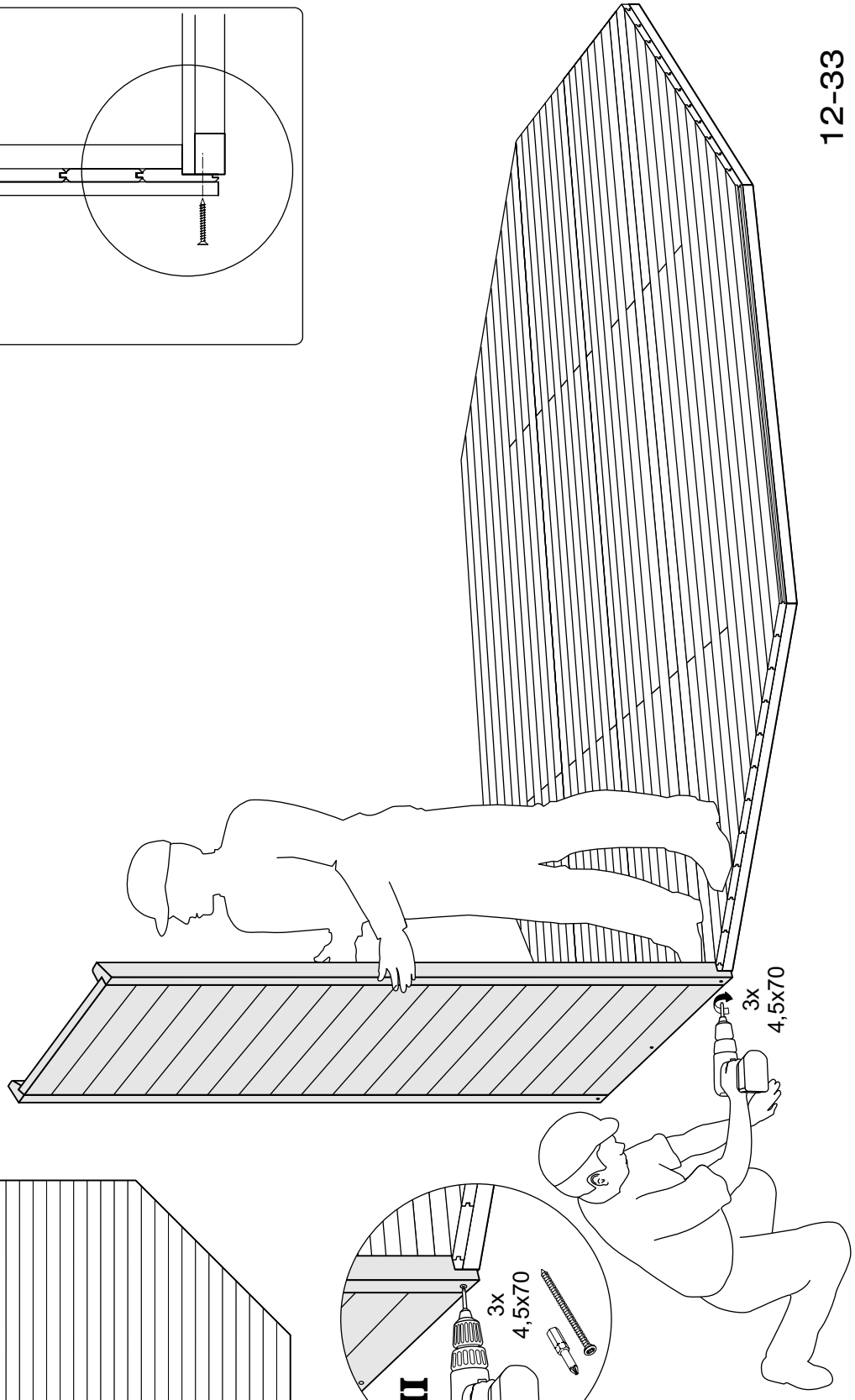
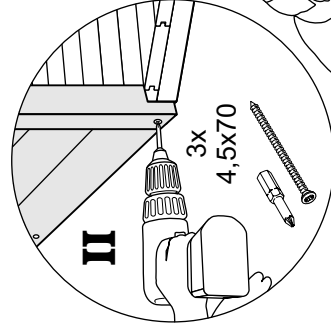
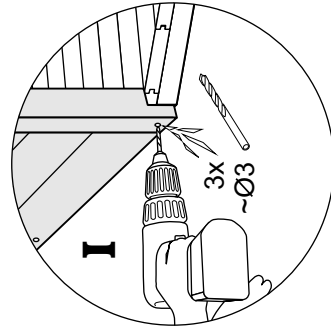
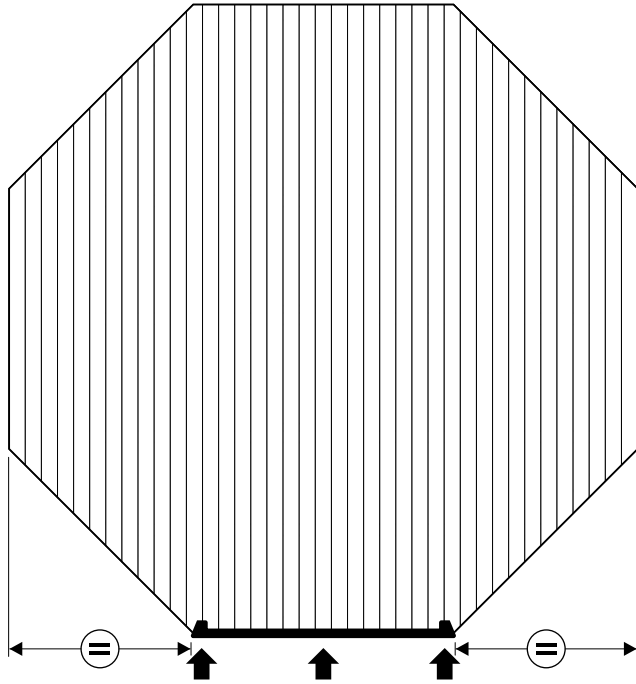
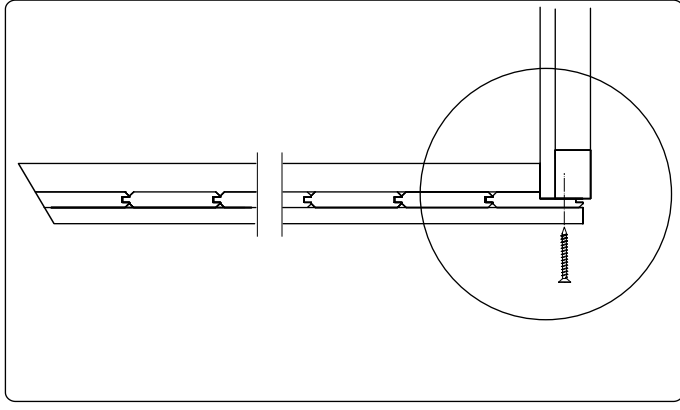
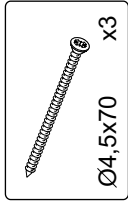
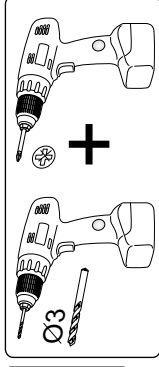


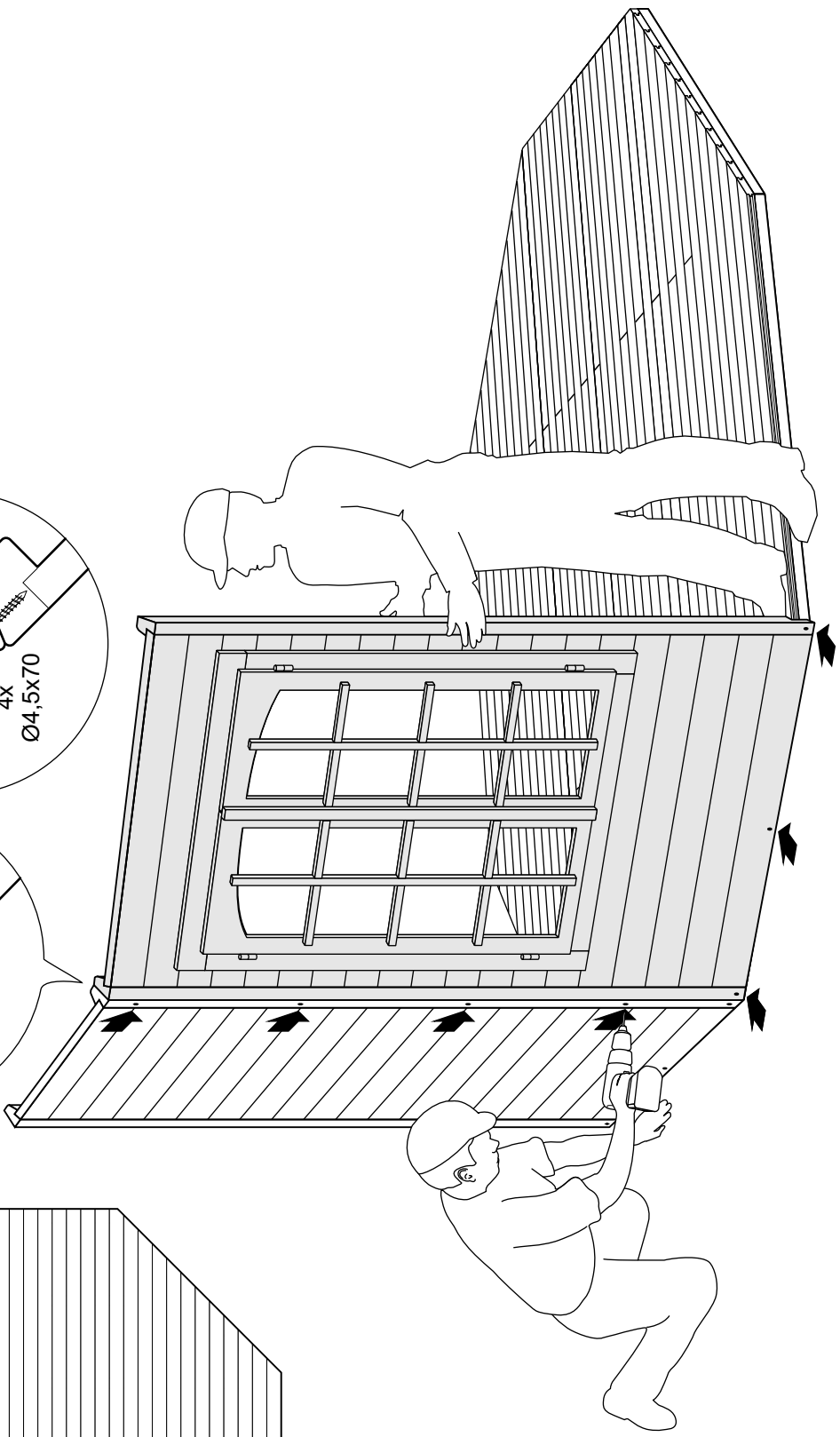
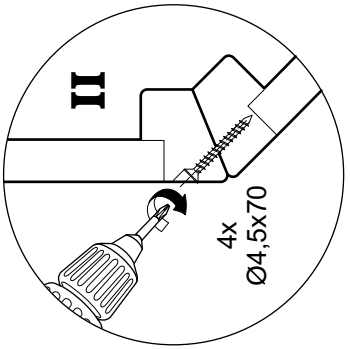
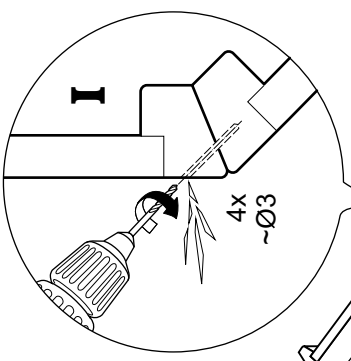
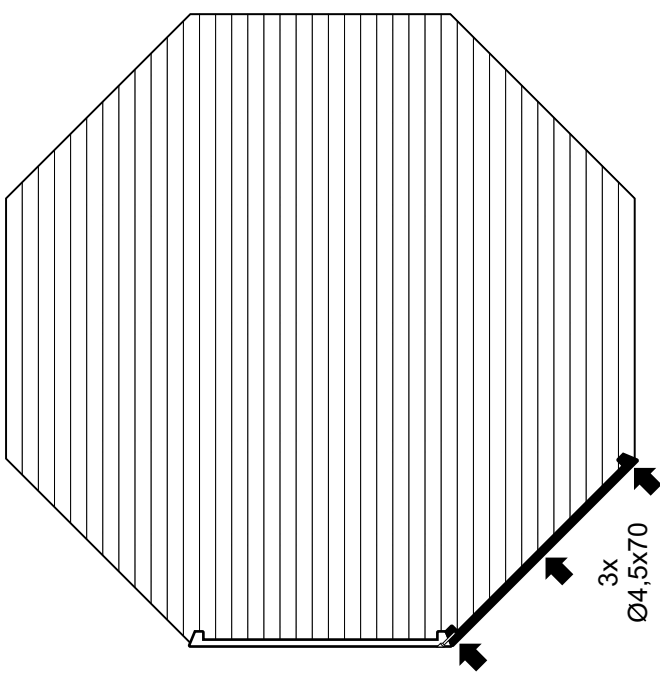
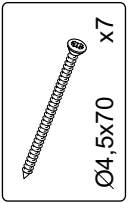
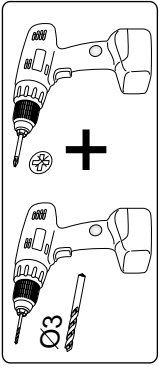


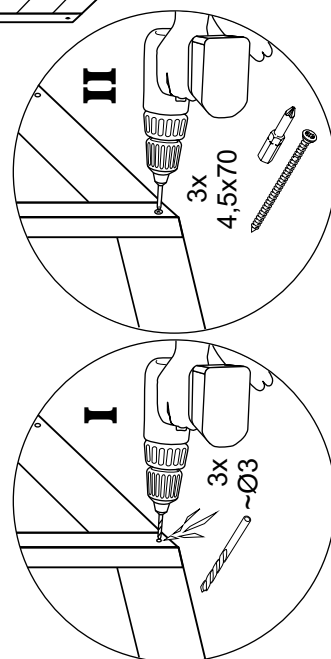
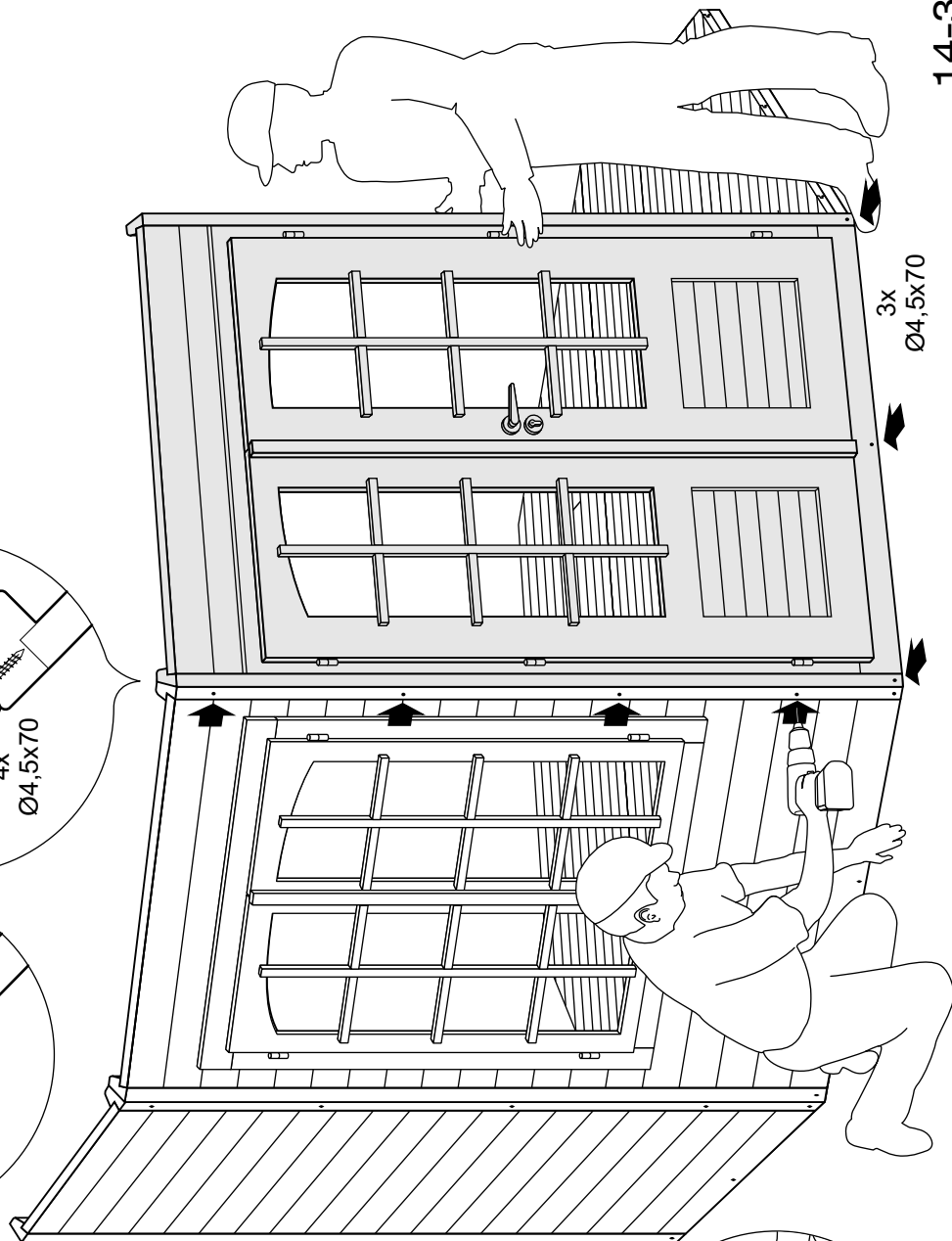
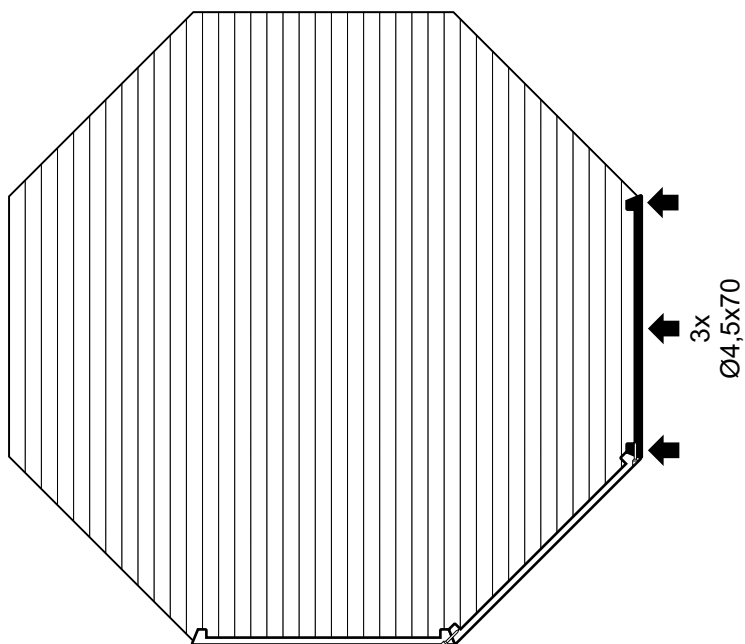
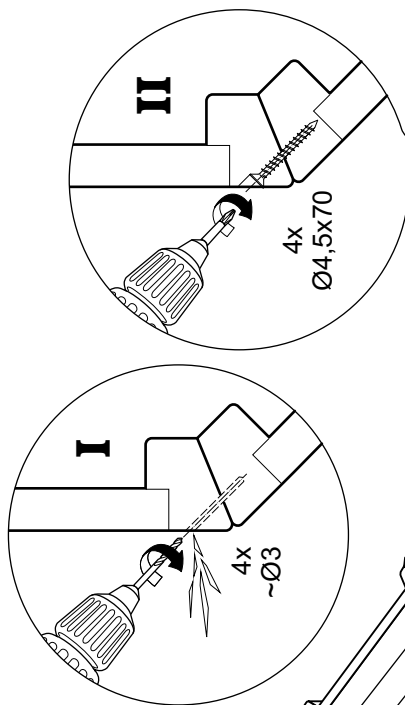
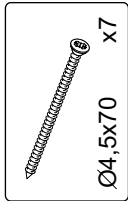
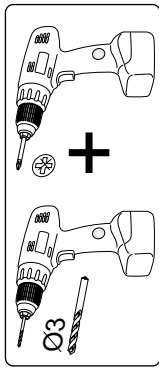


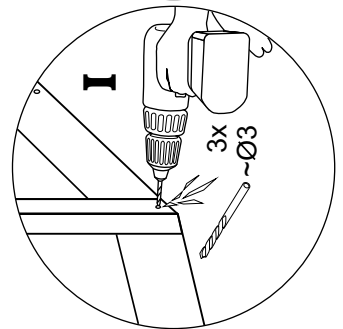
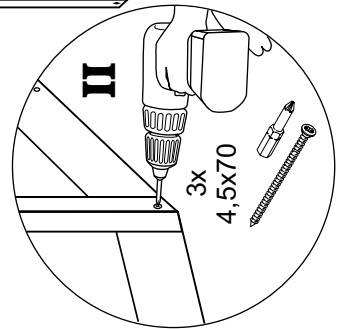
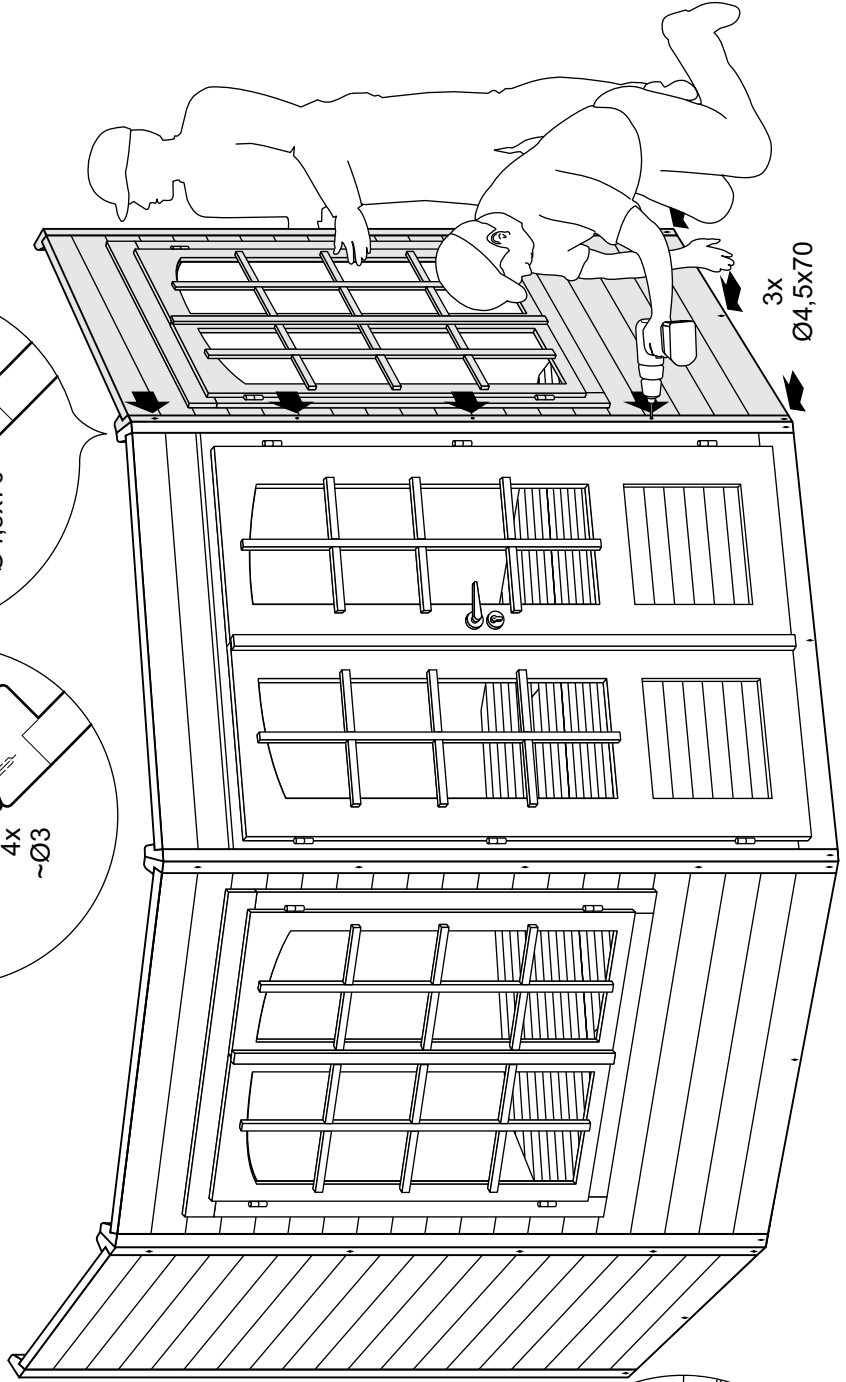
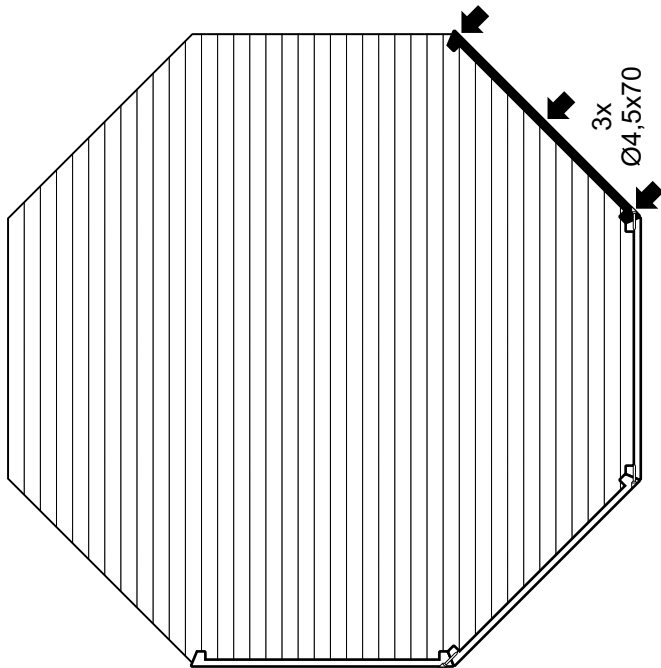
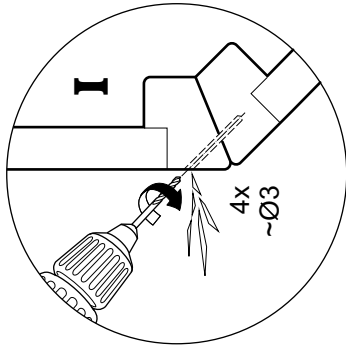
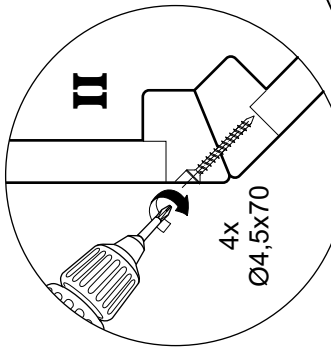
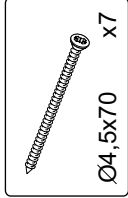
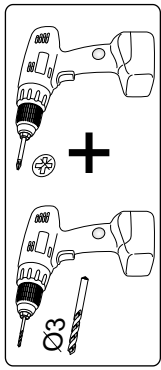


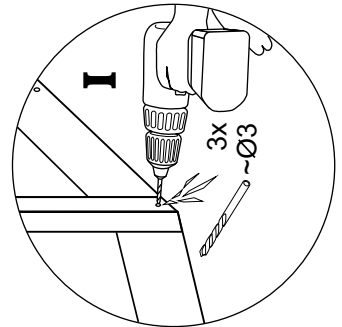
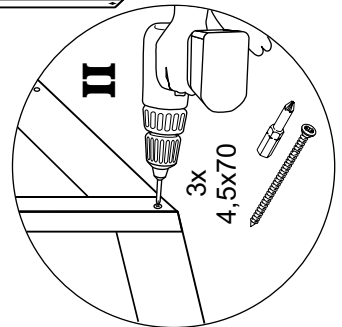
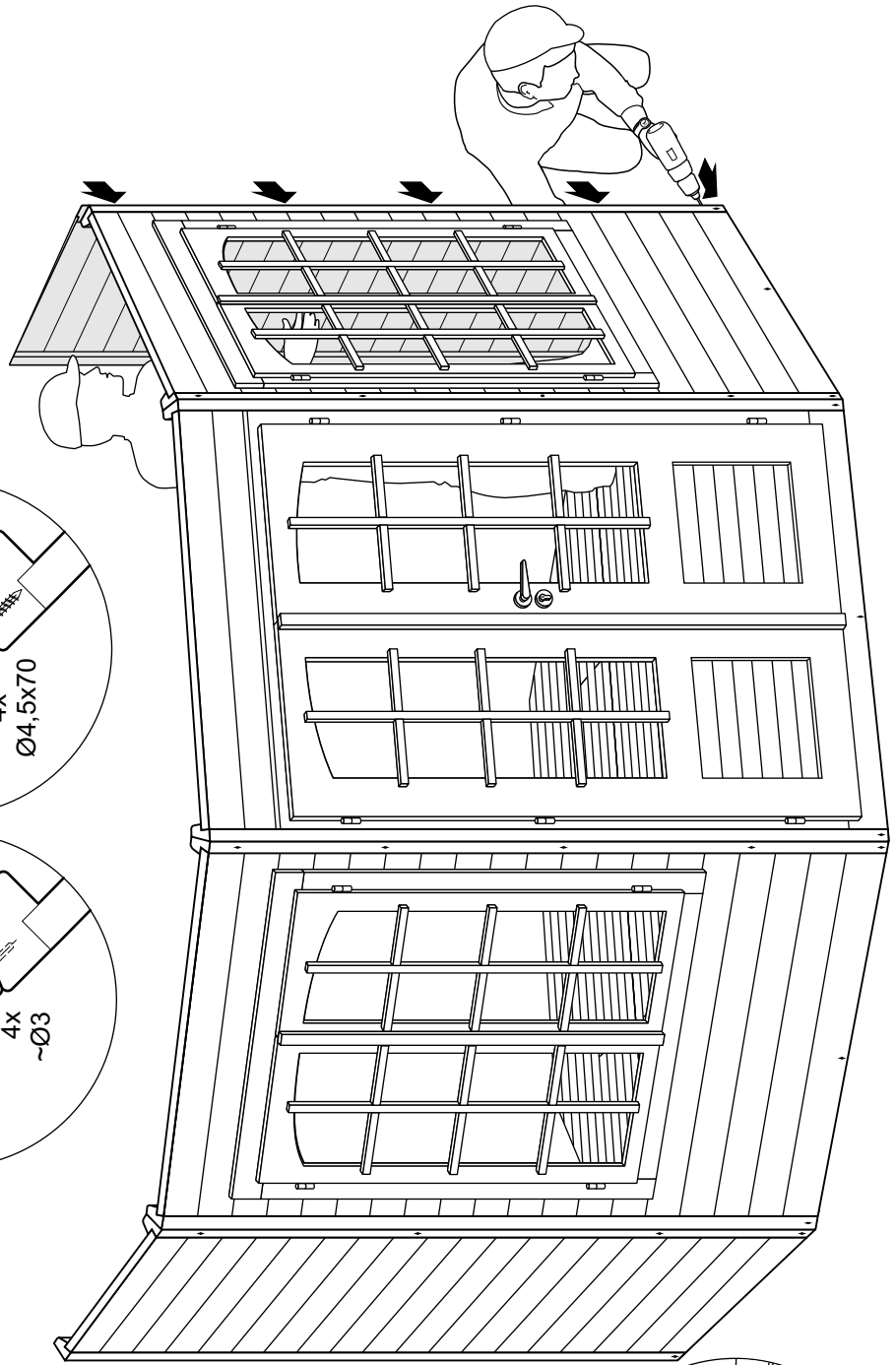
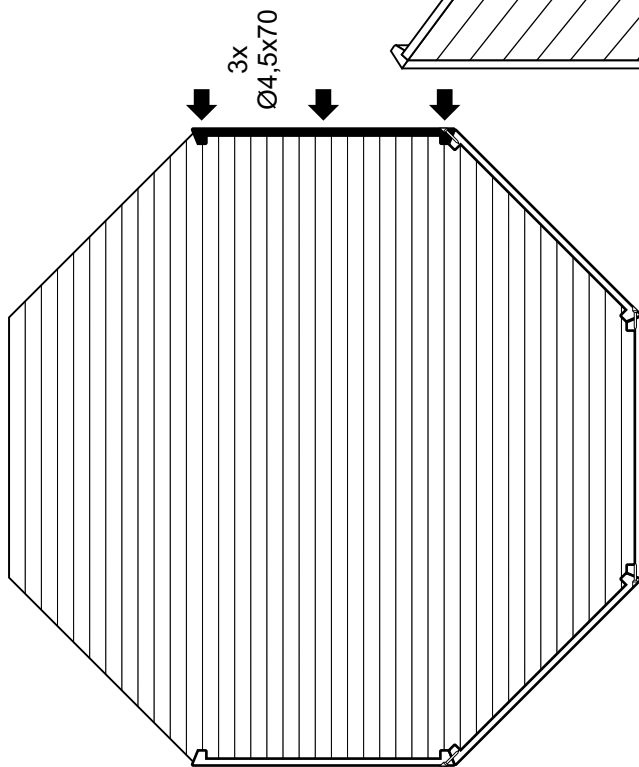
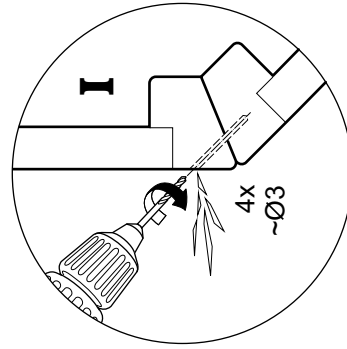
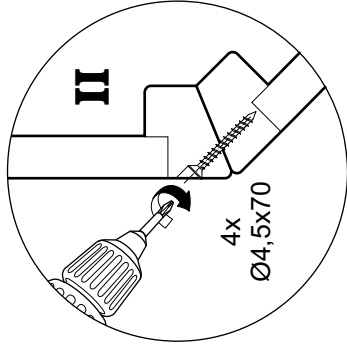
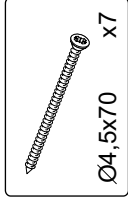
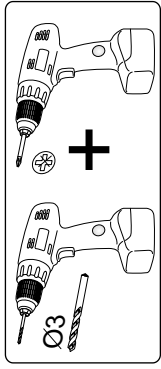
11-33

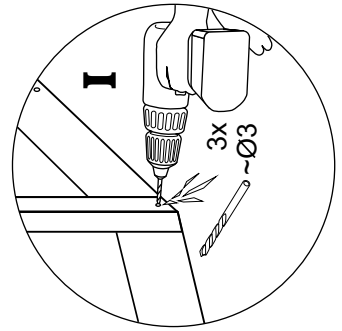
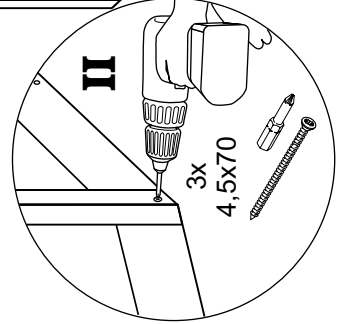
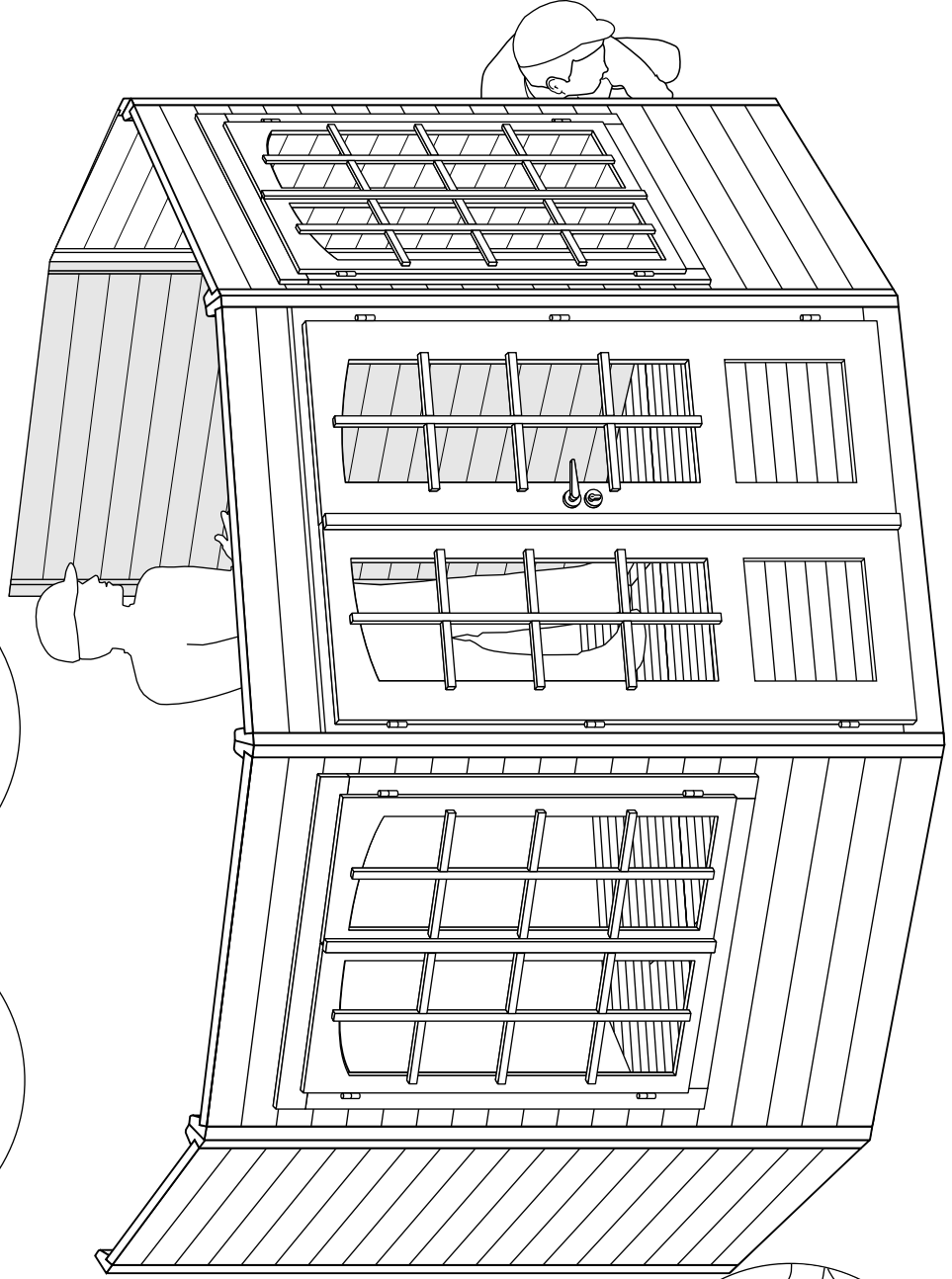
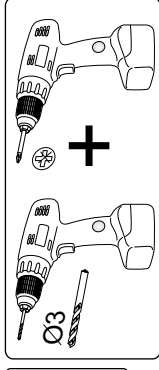
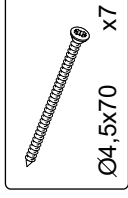
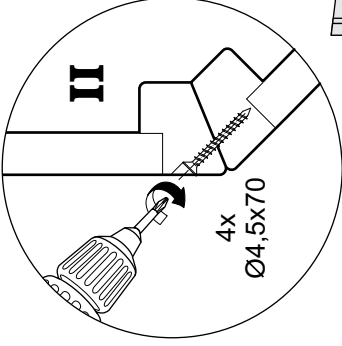
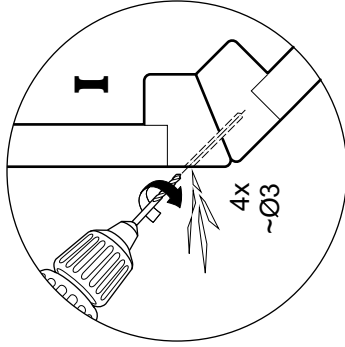
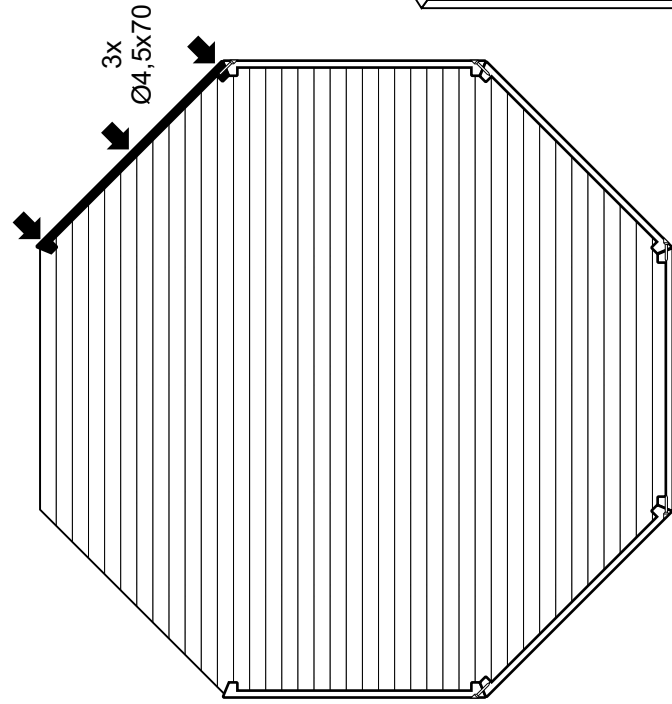




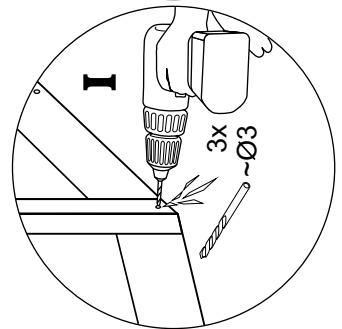
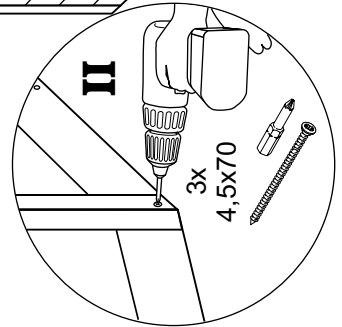
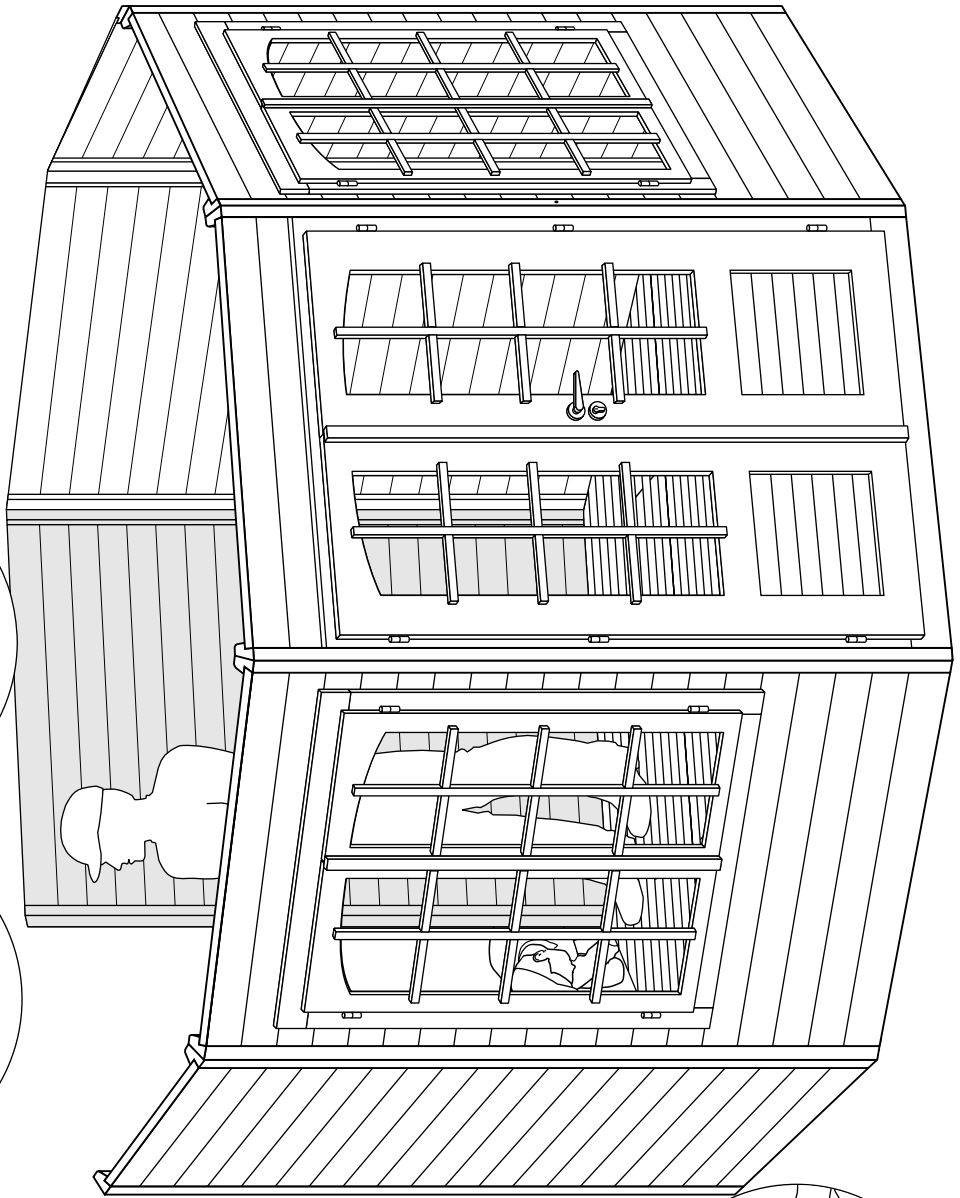
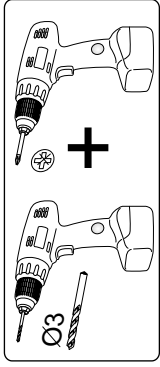
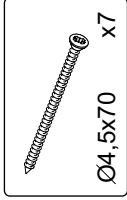
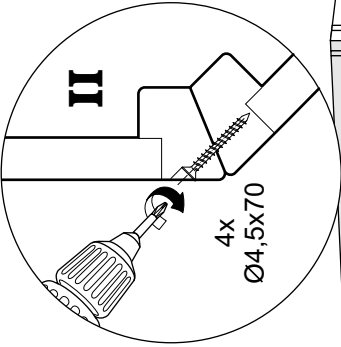
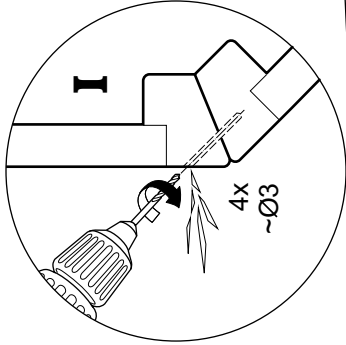
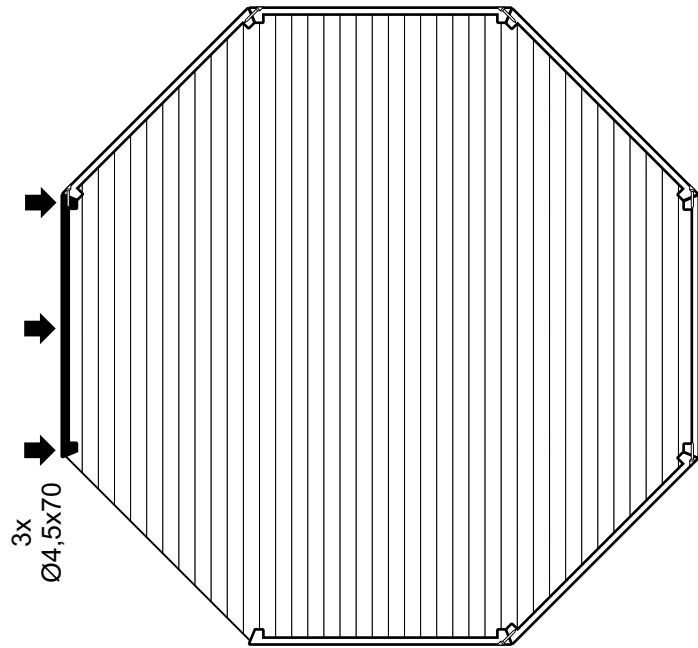


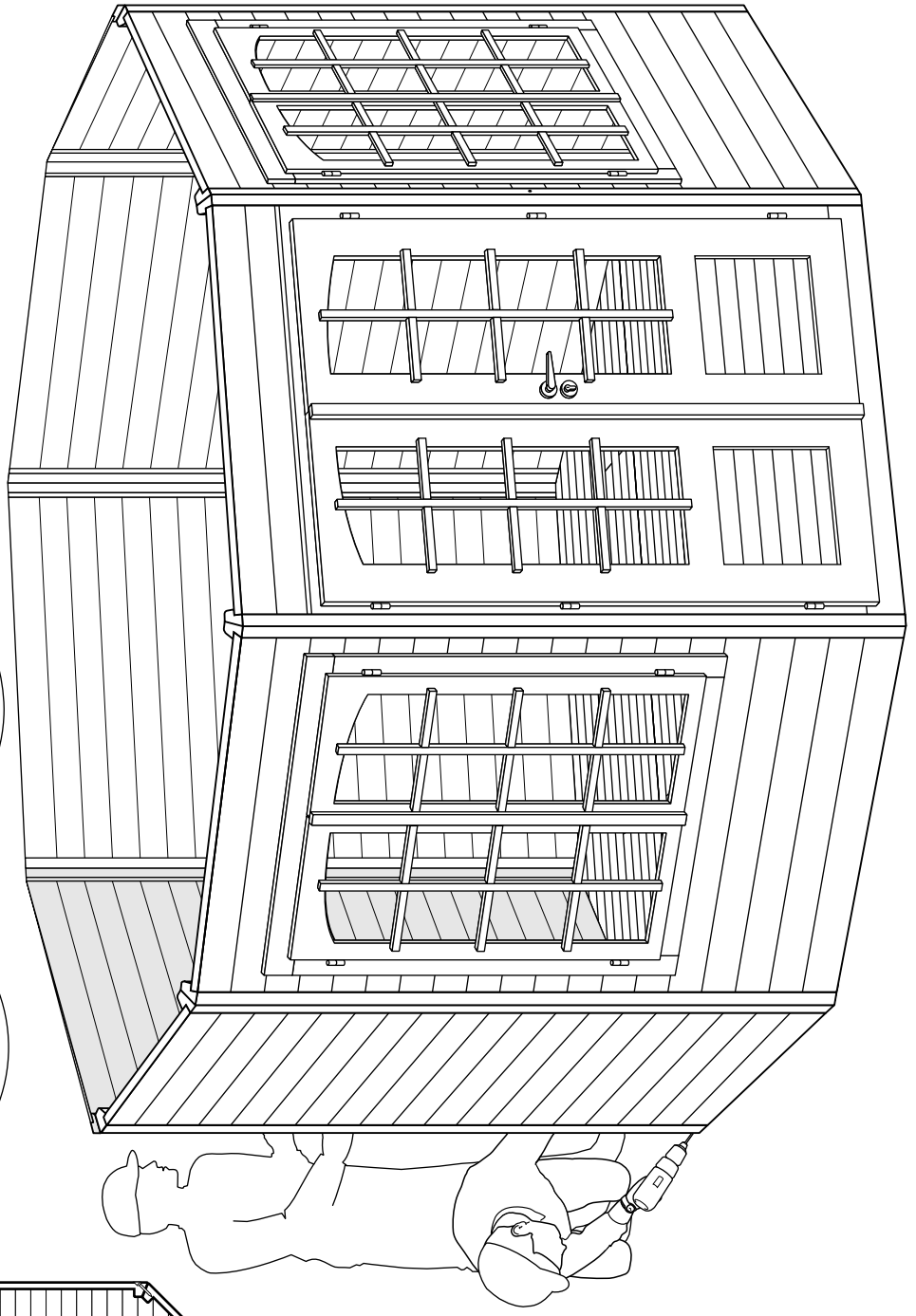
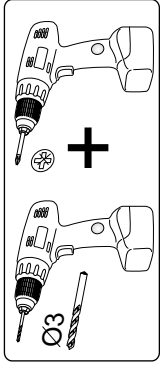
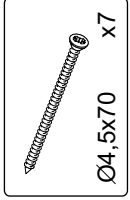
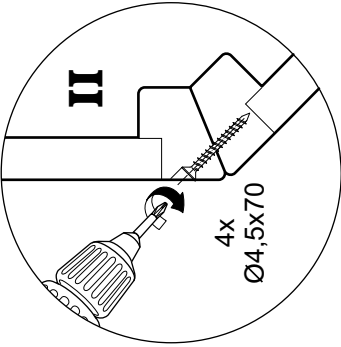
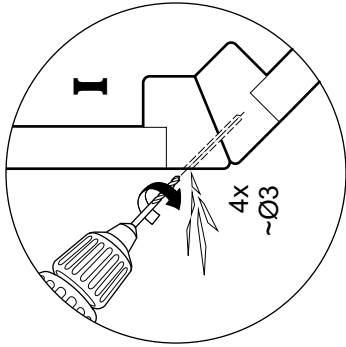
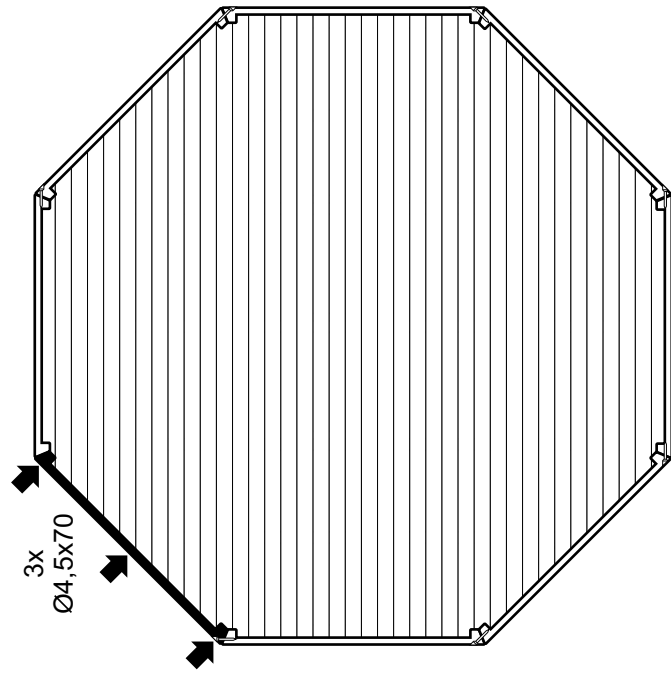


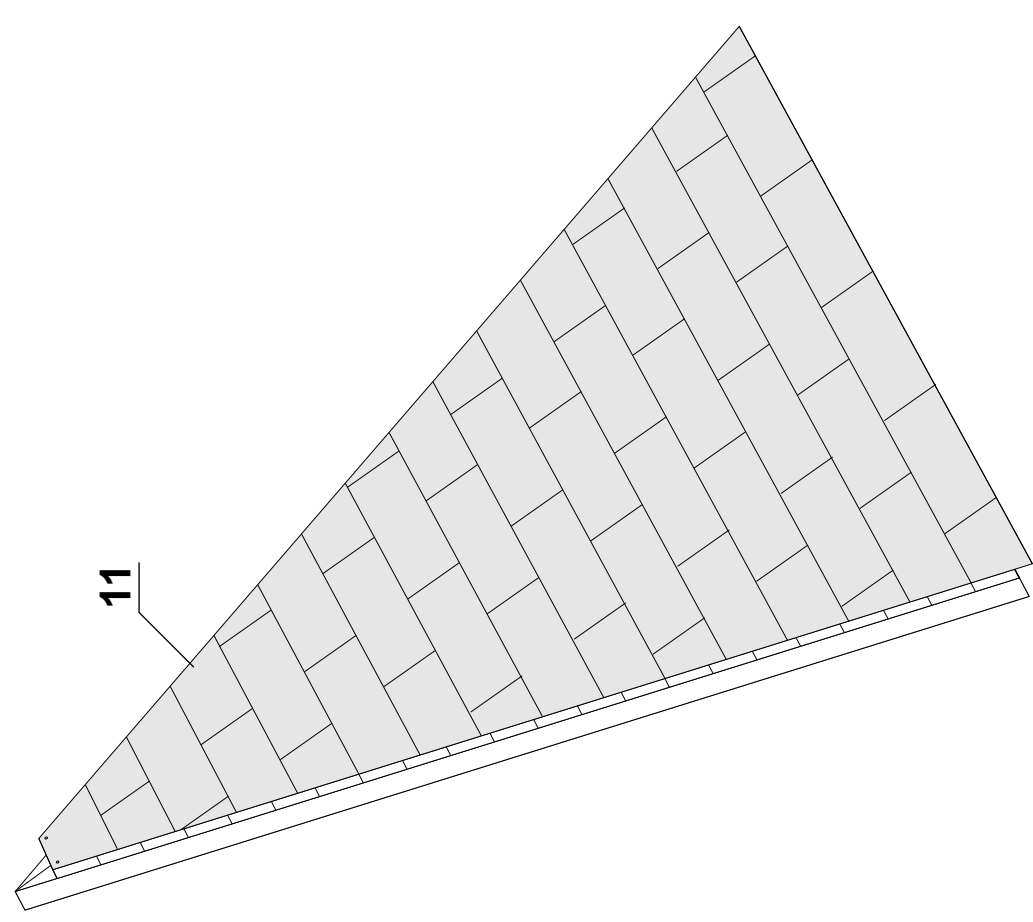
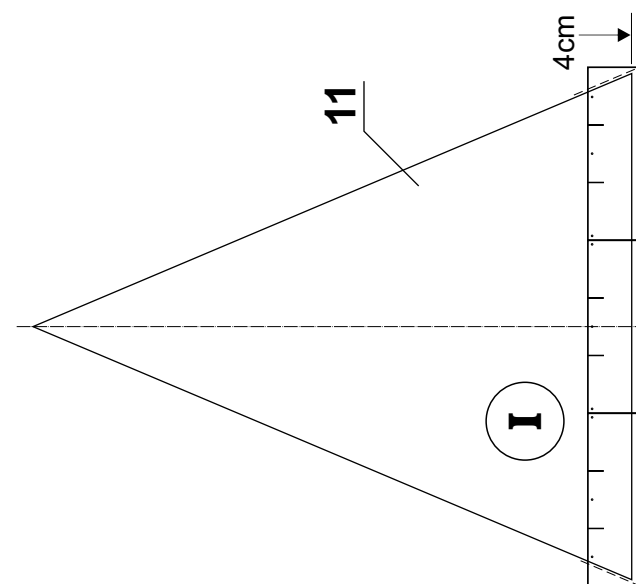
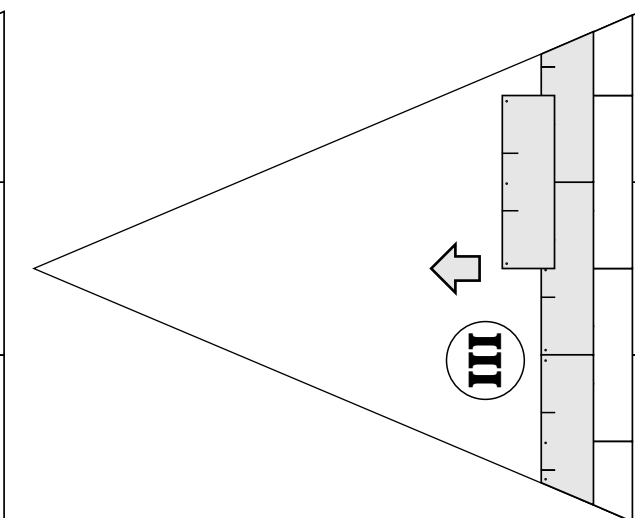
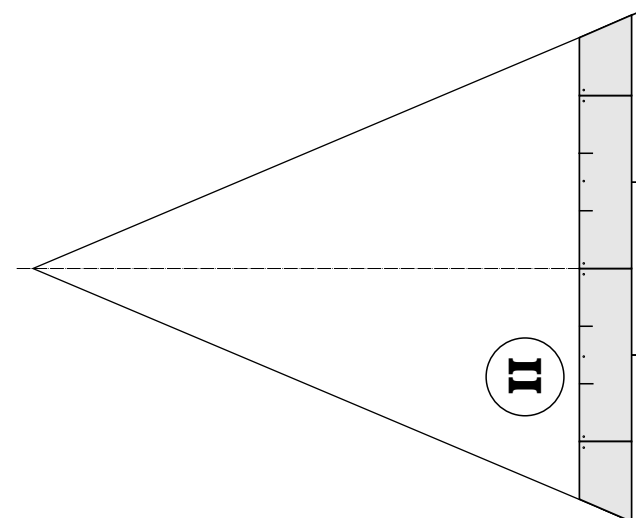
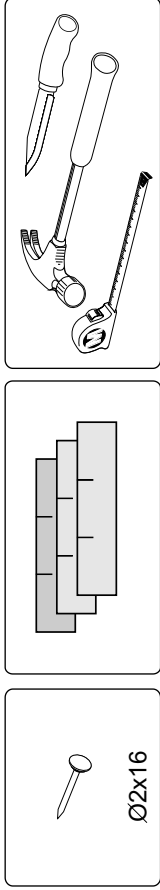


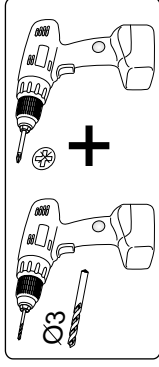
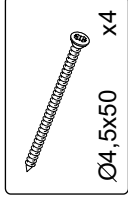
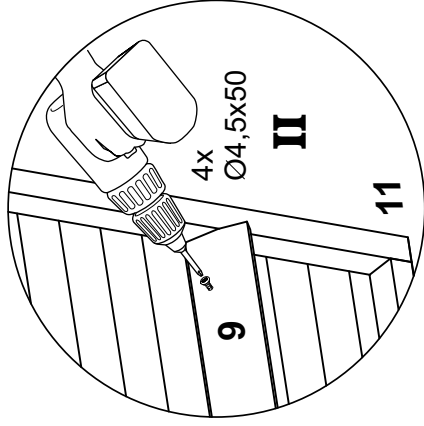
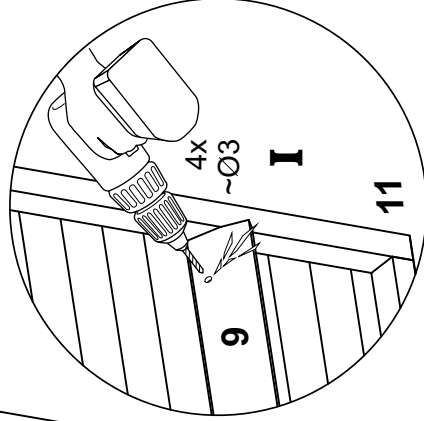
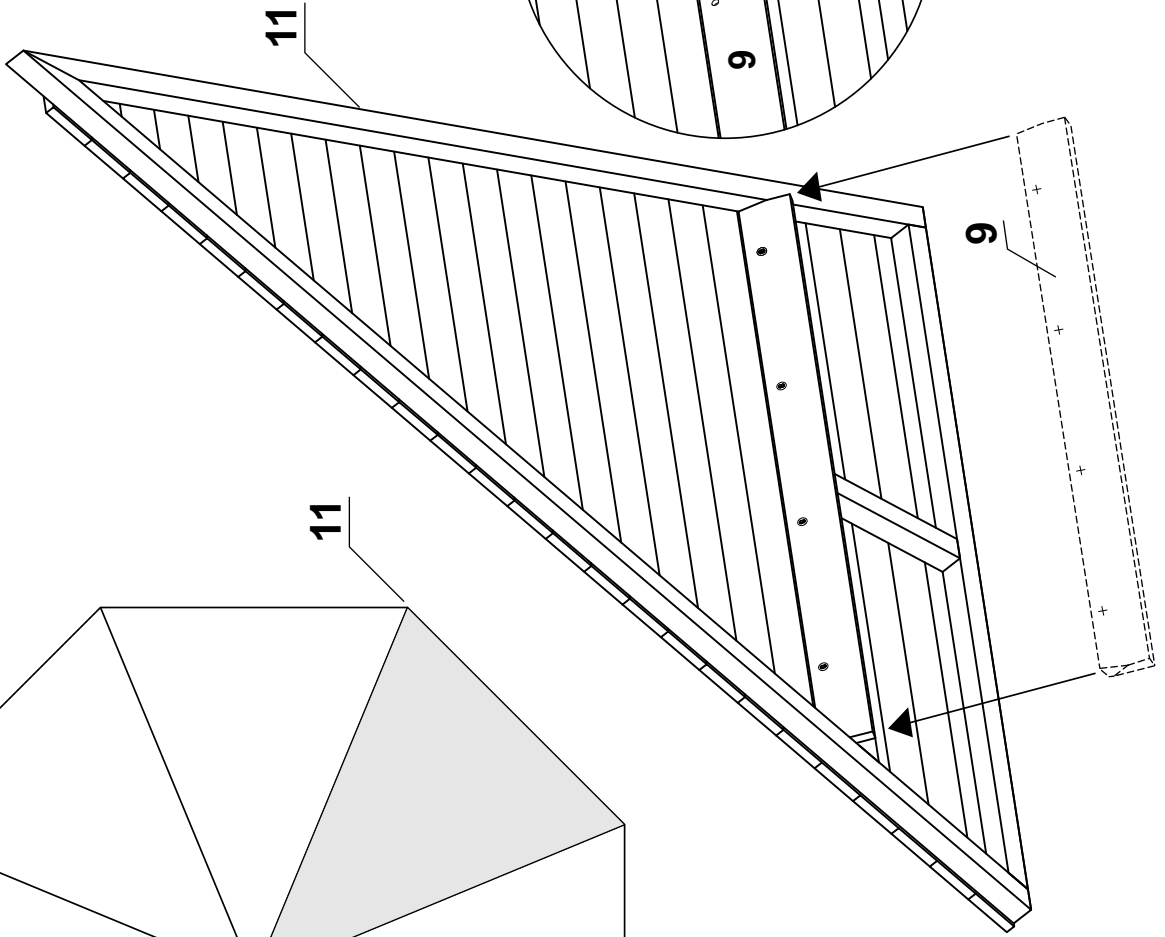
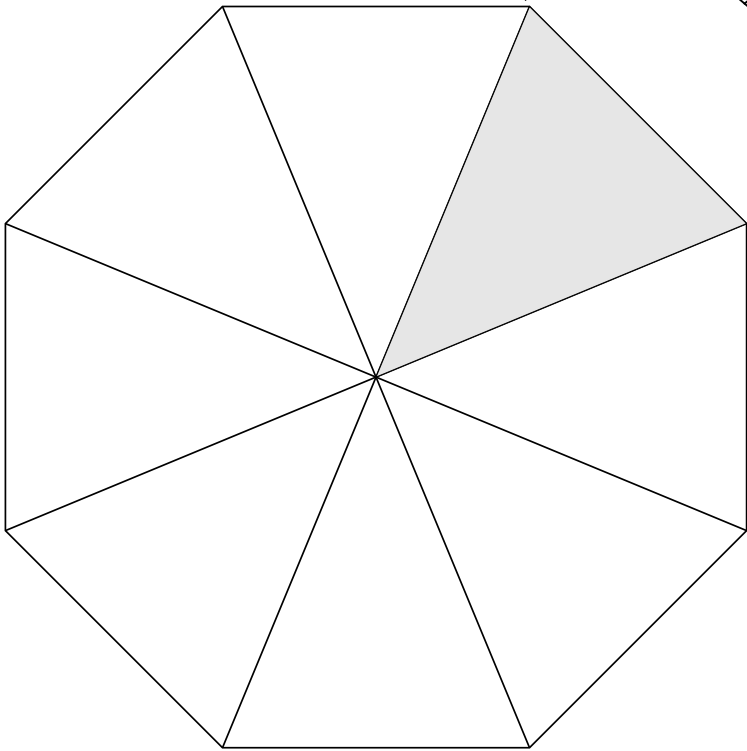


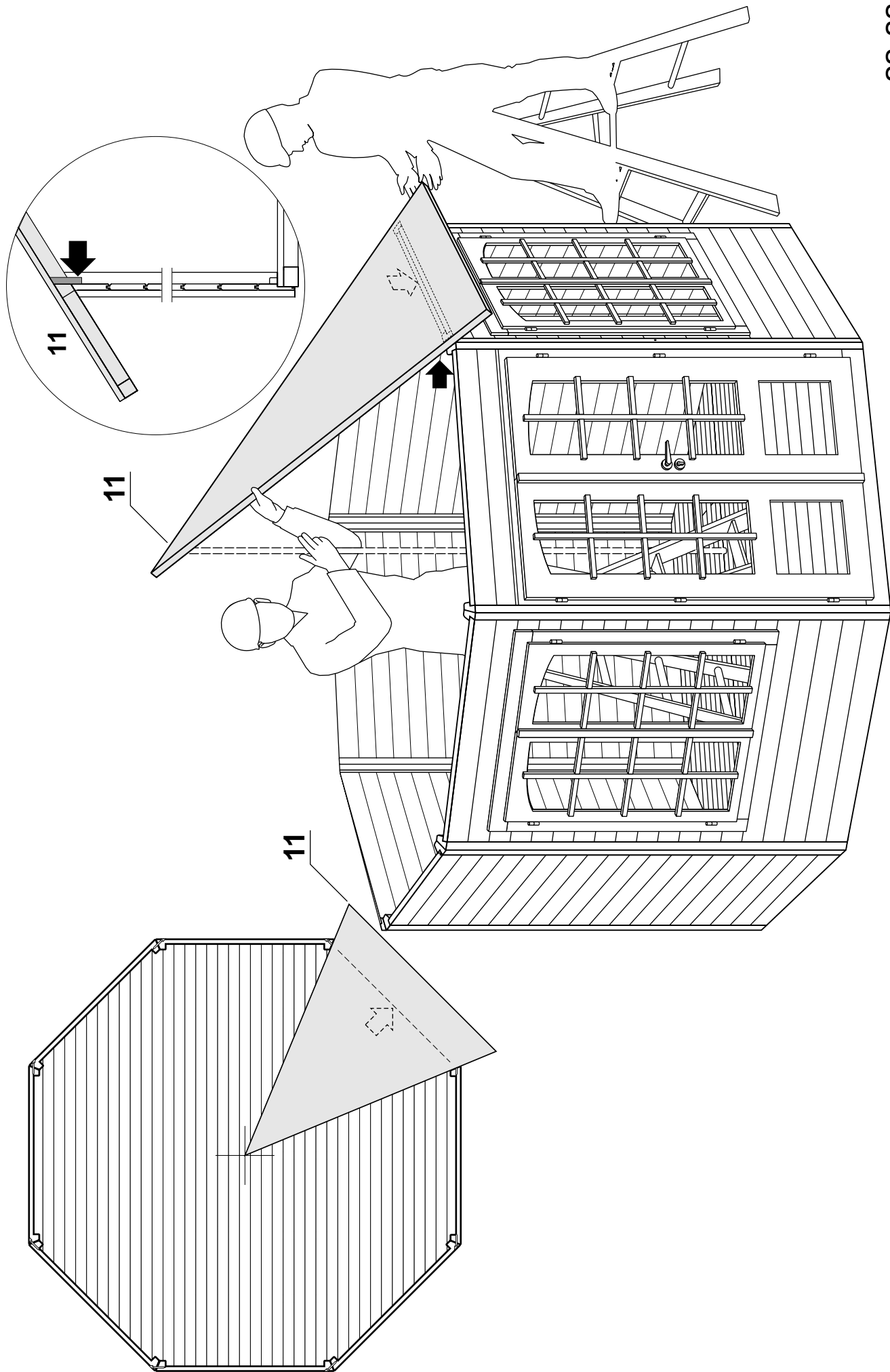


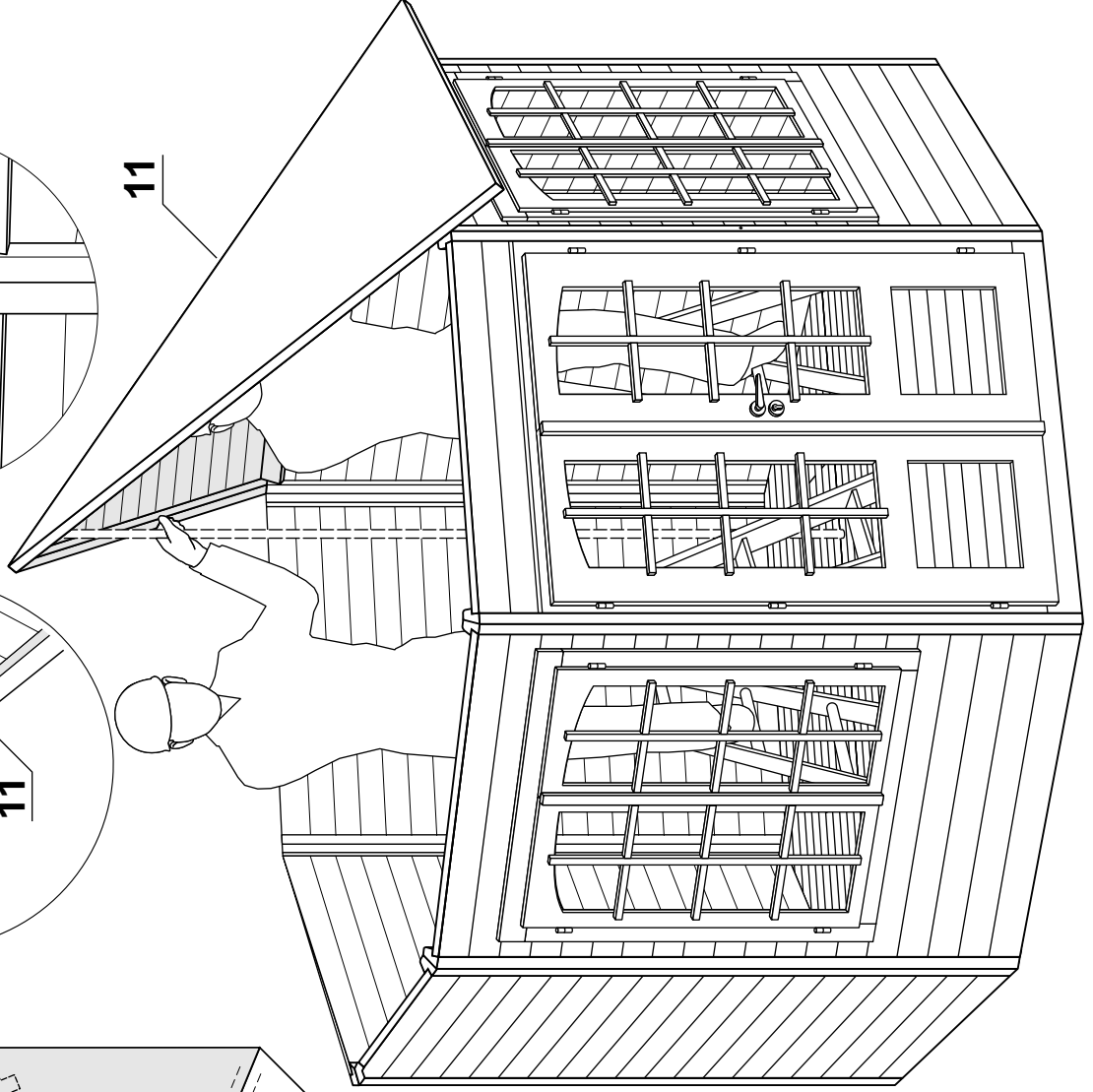
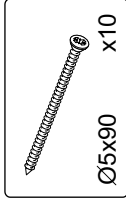
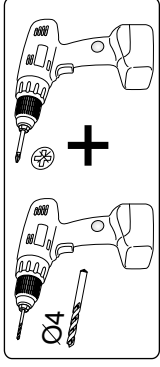
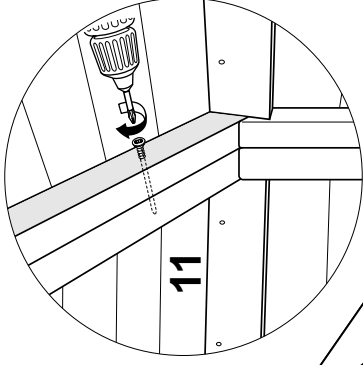
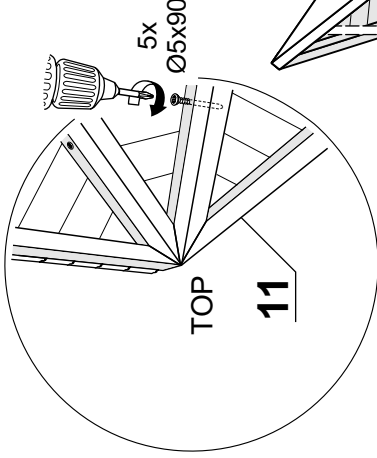
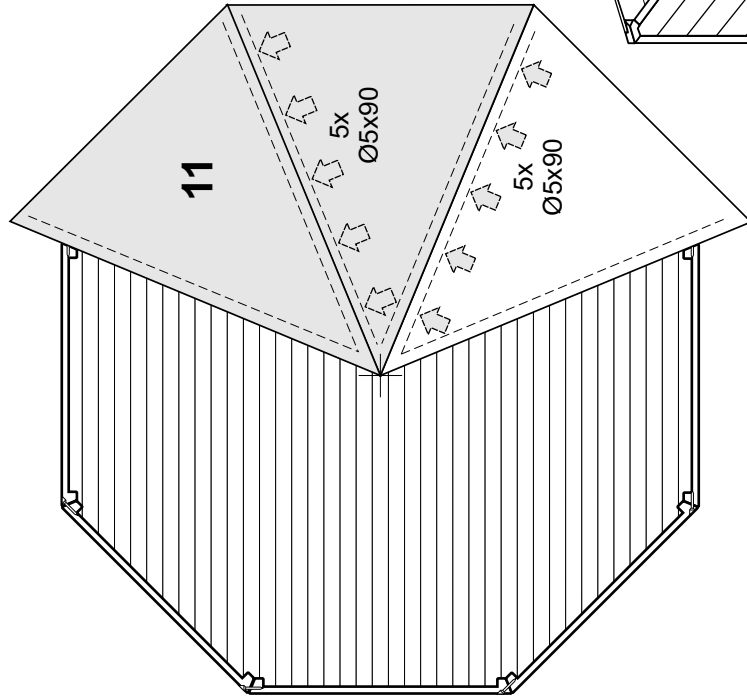


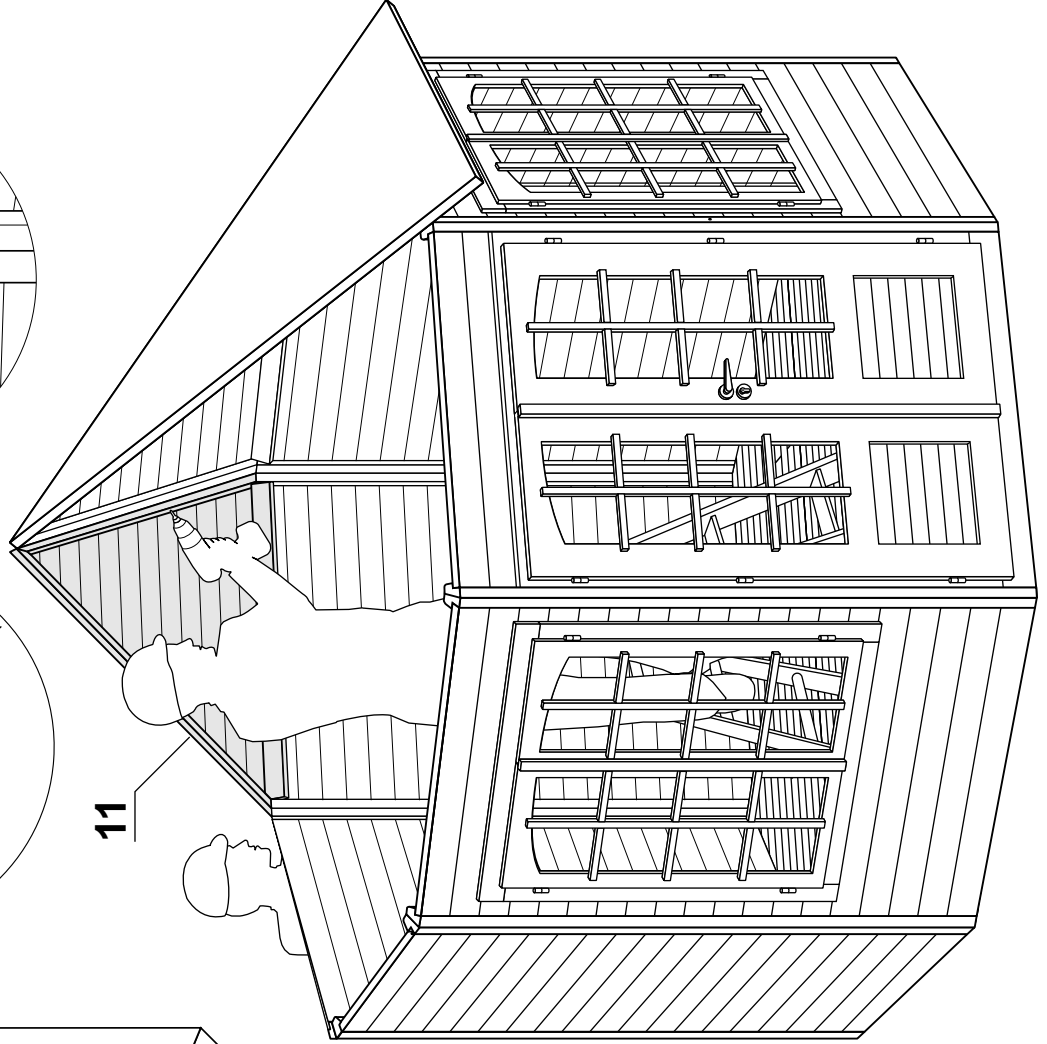
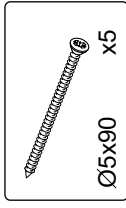
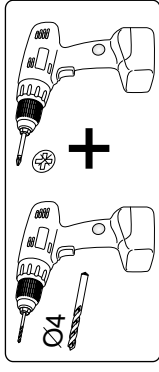
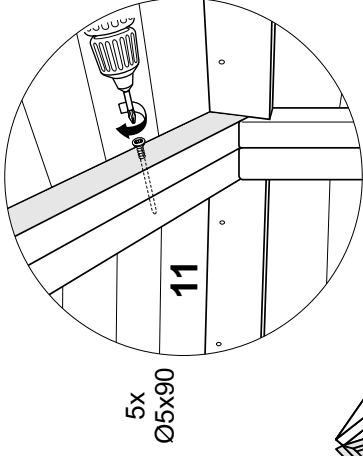
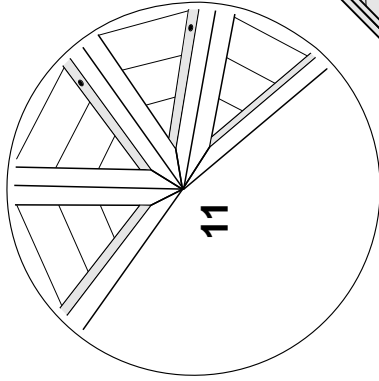
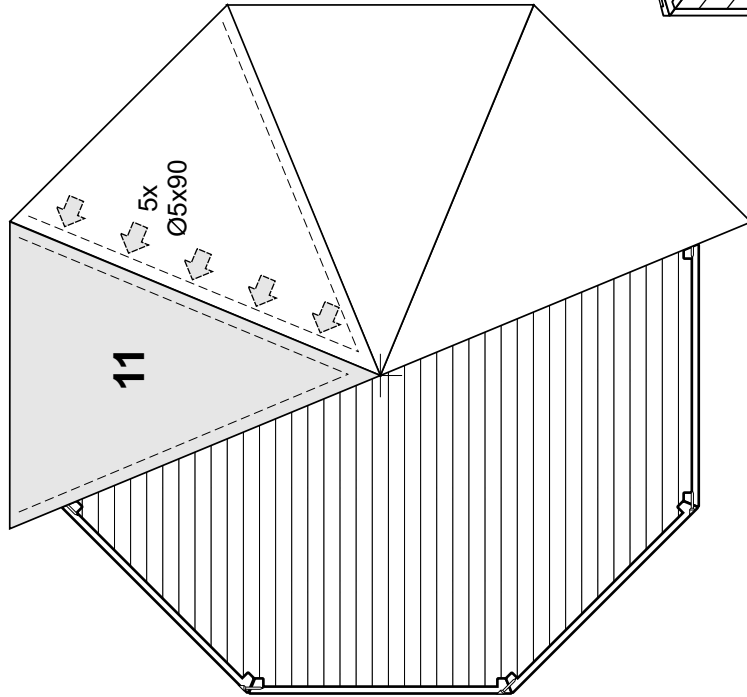


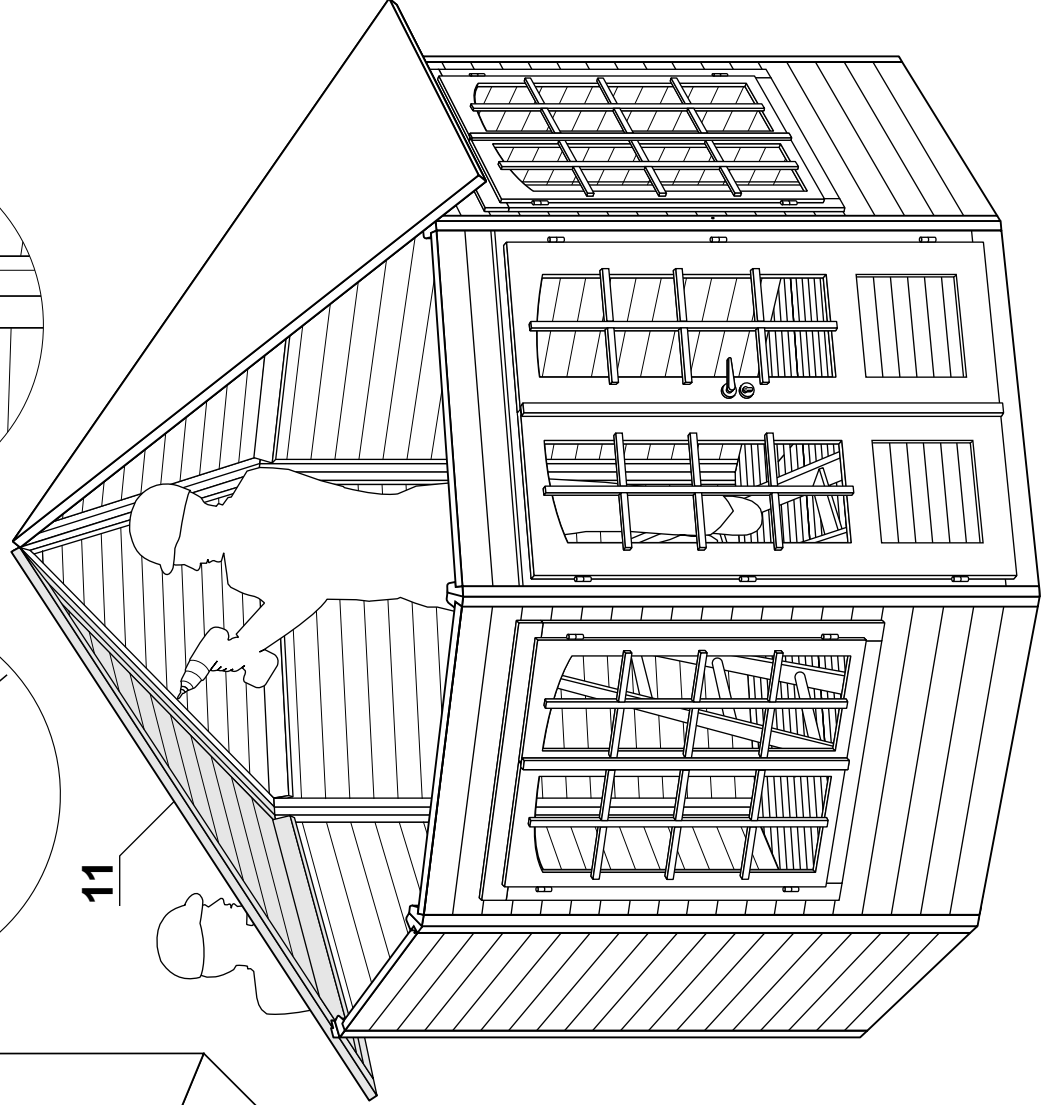
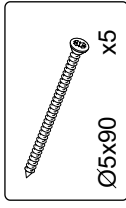
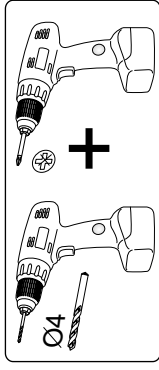
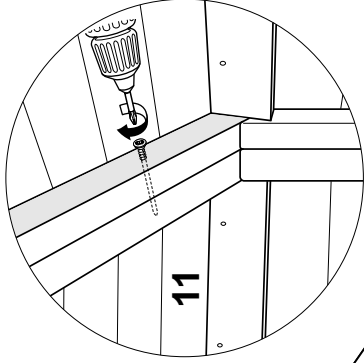
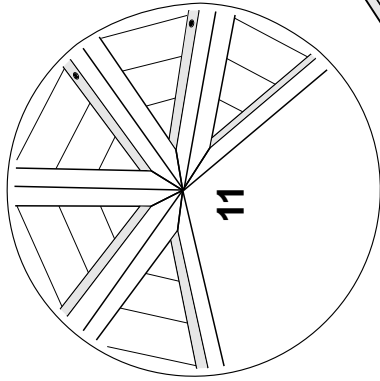
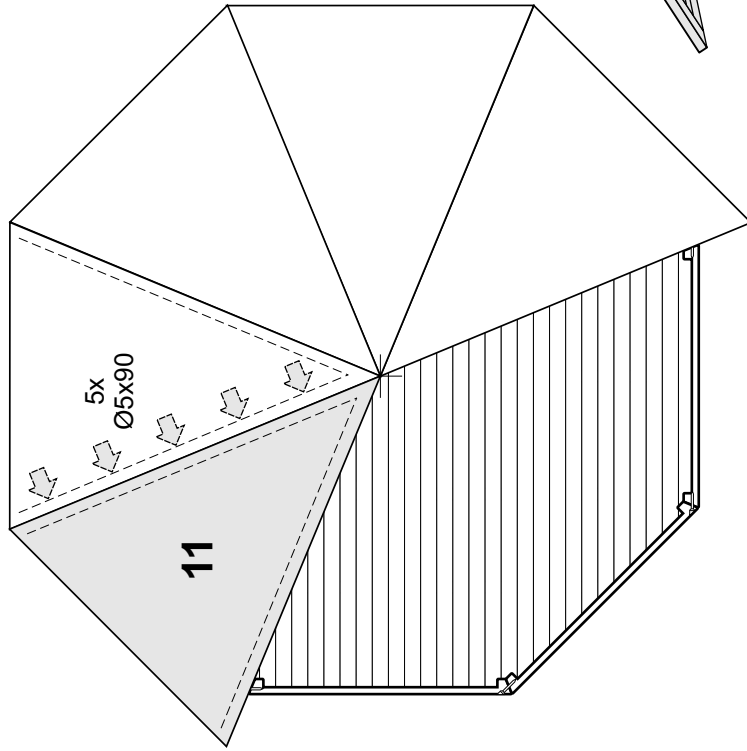




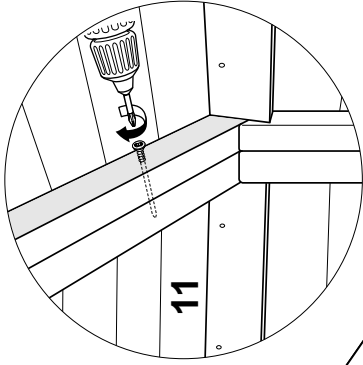
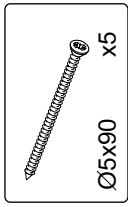
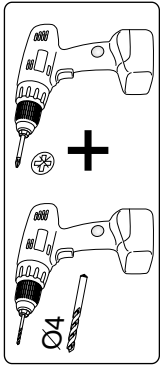




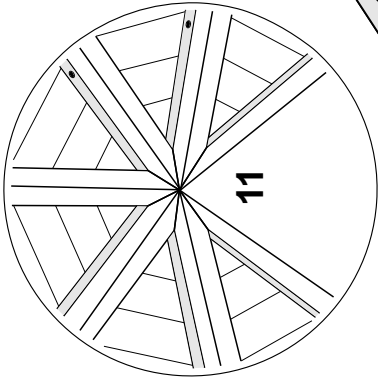




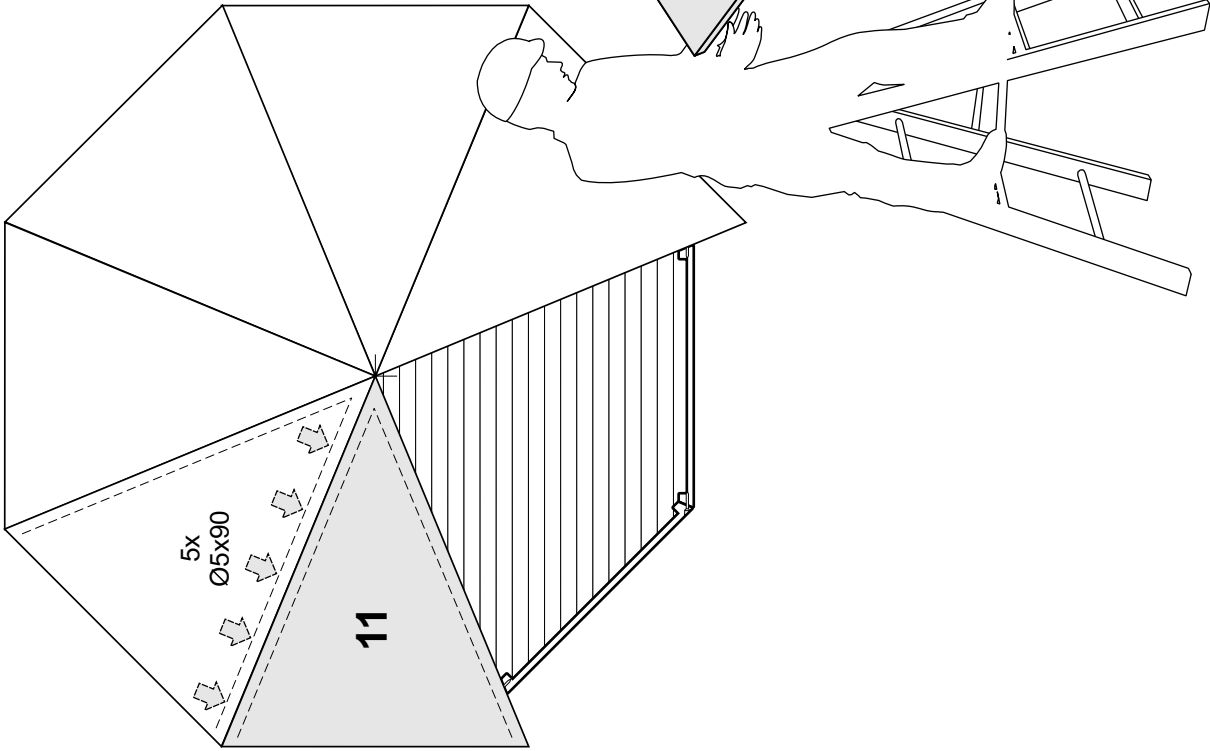




5x  
Ø5x90

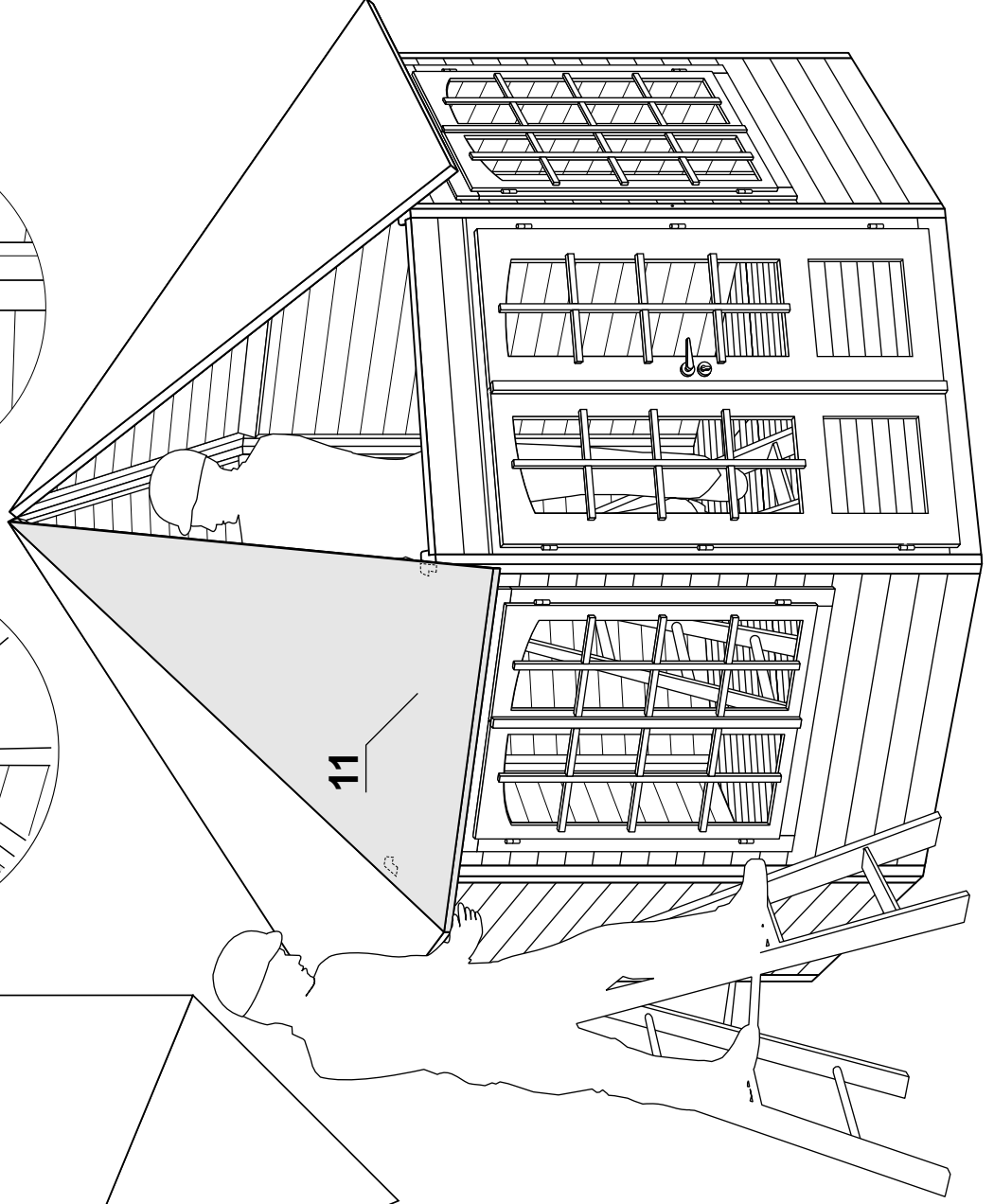
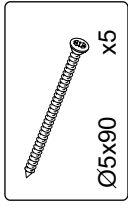
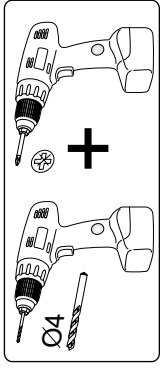
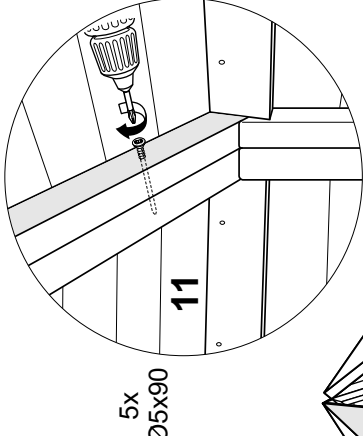
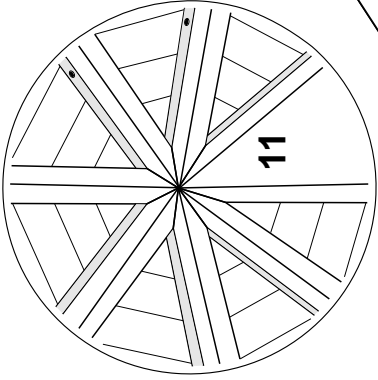
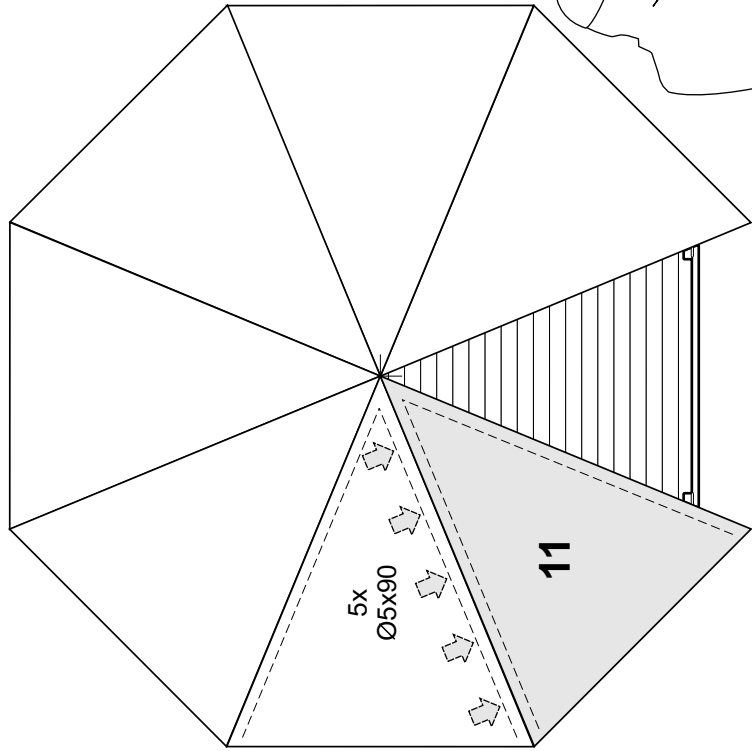


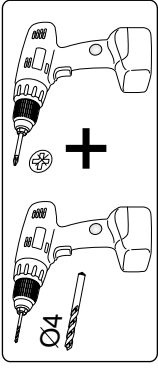
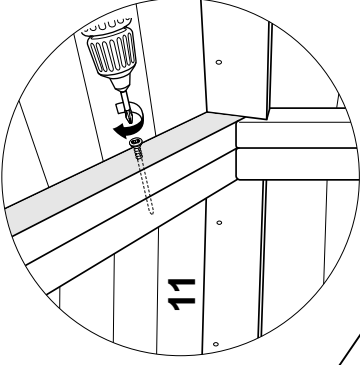
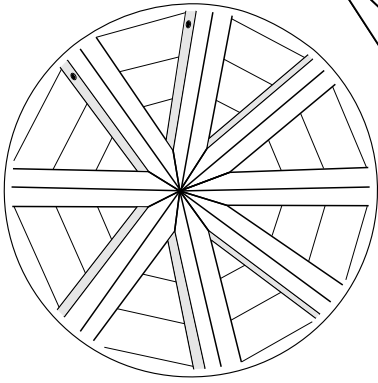
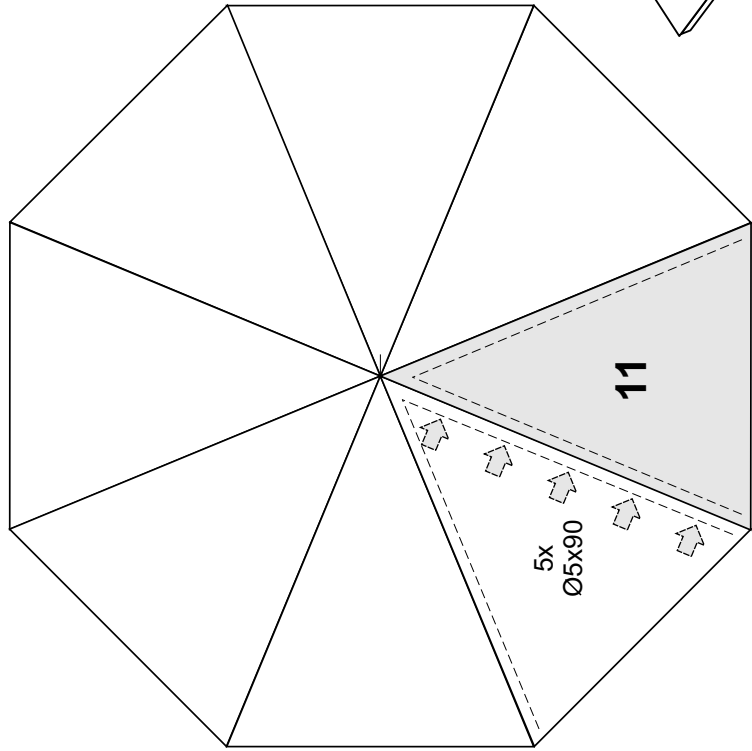
11



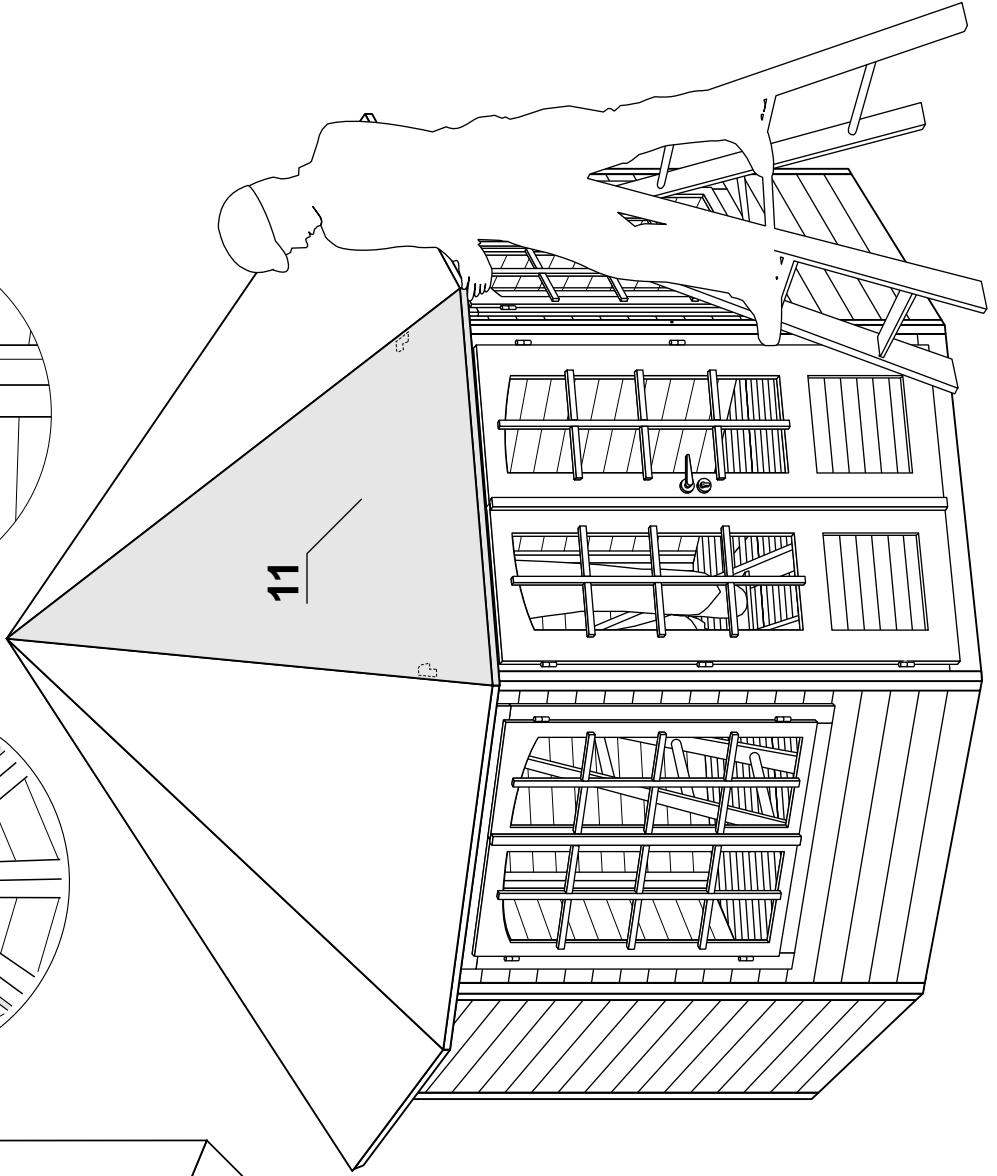
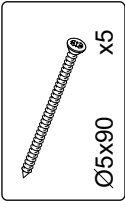
5x  
Ø5x90

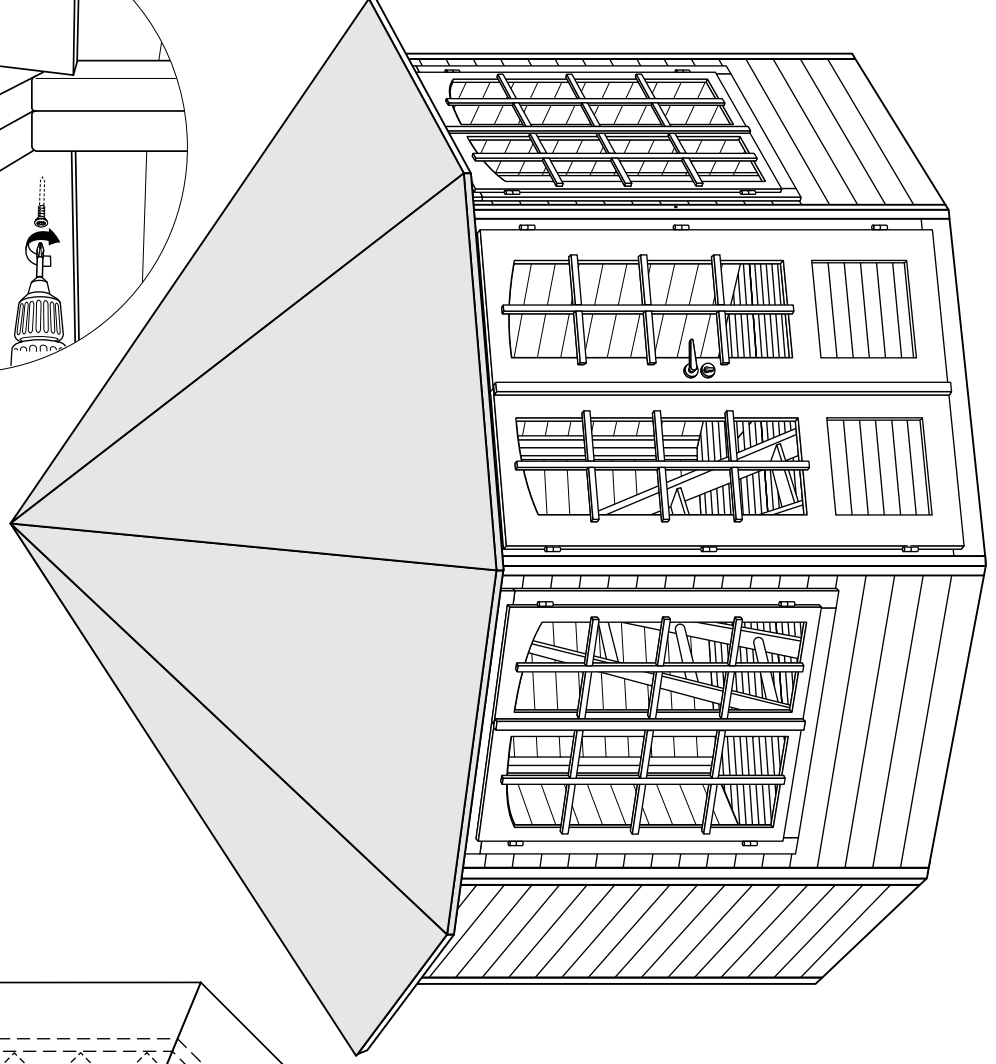
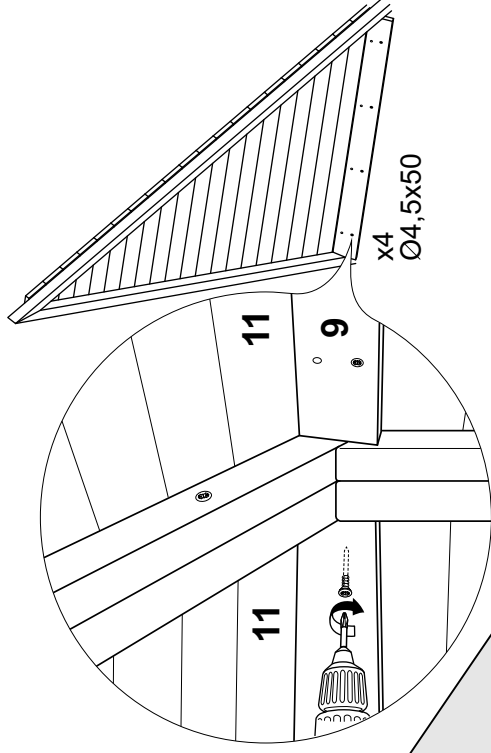
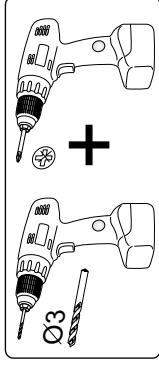
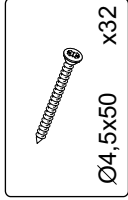
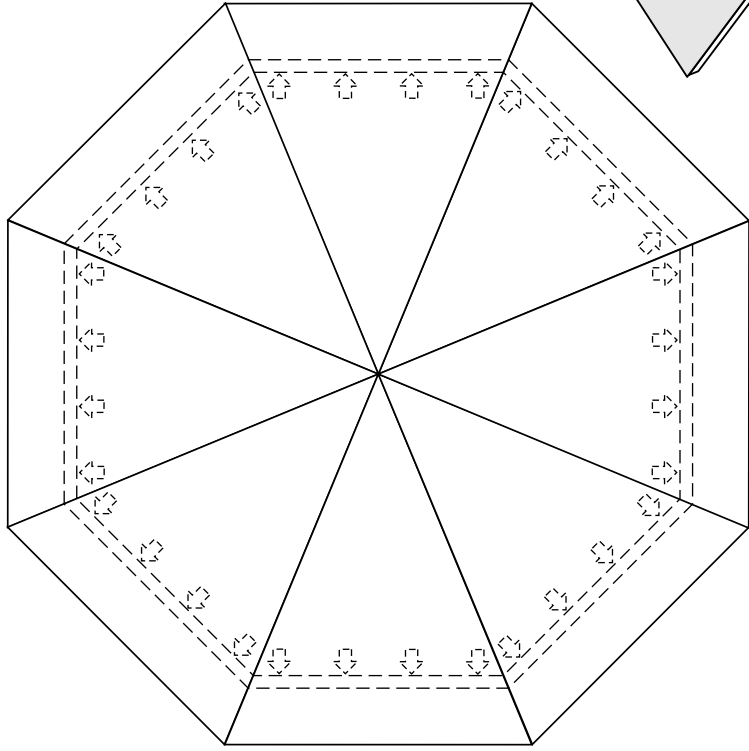
11

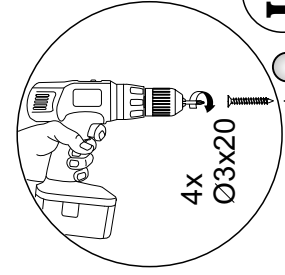
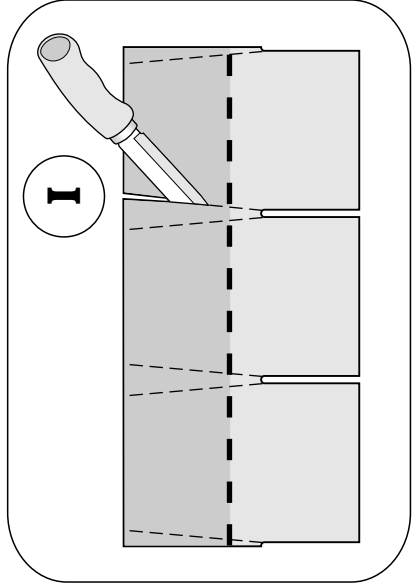
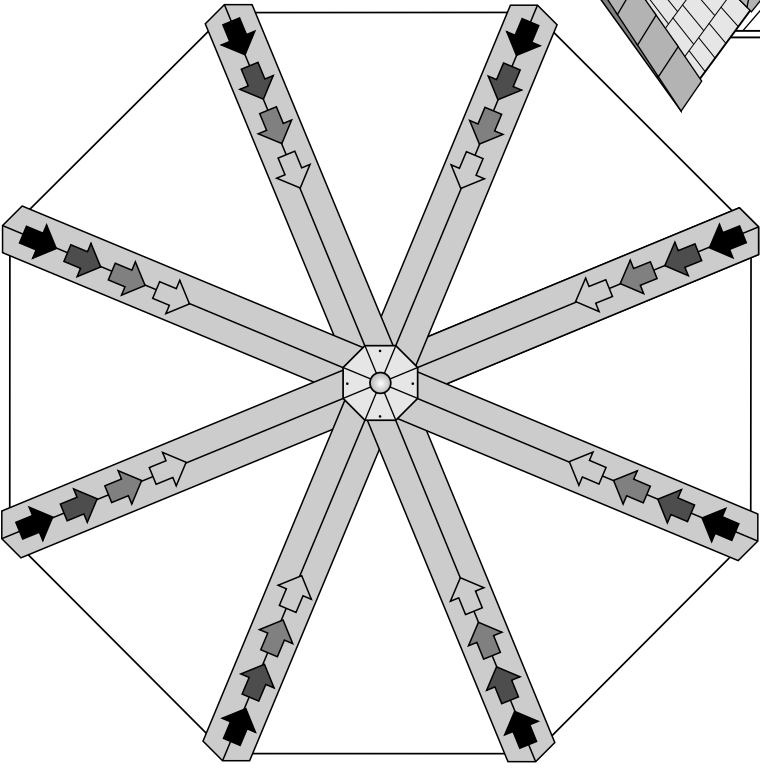




+

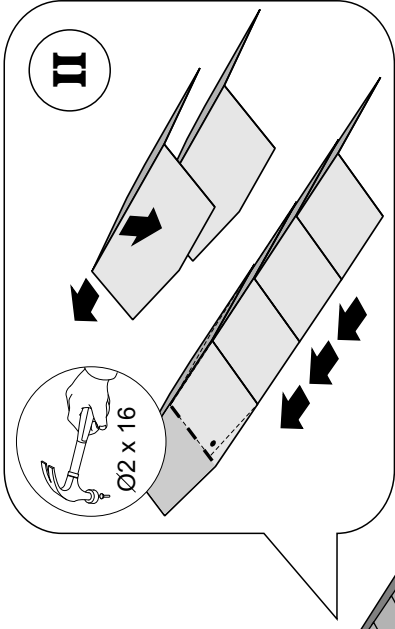
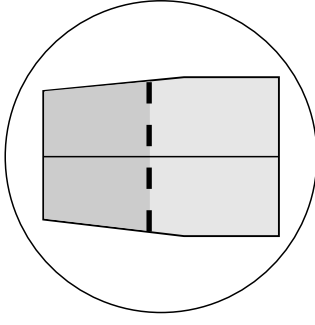
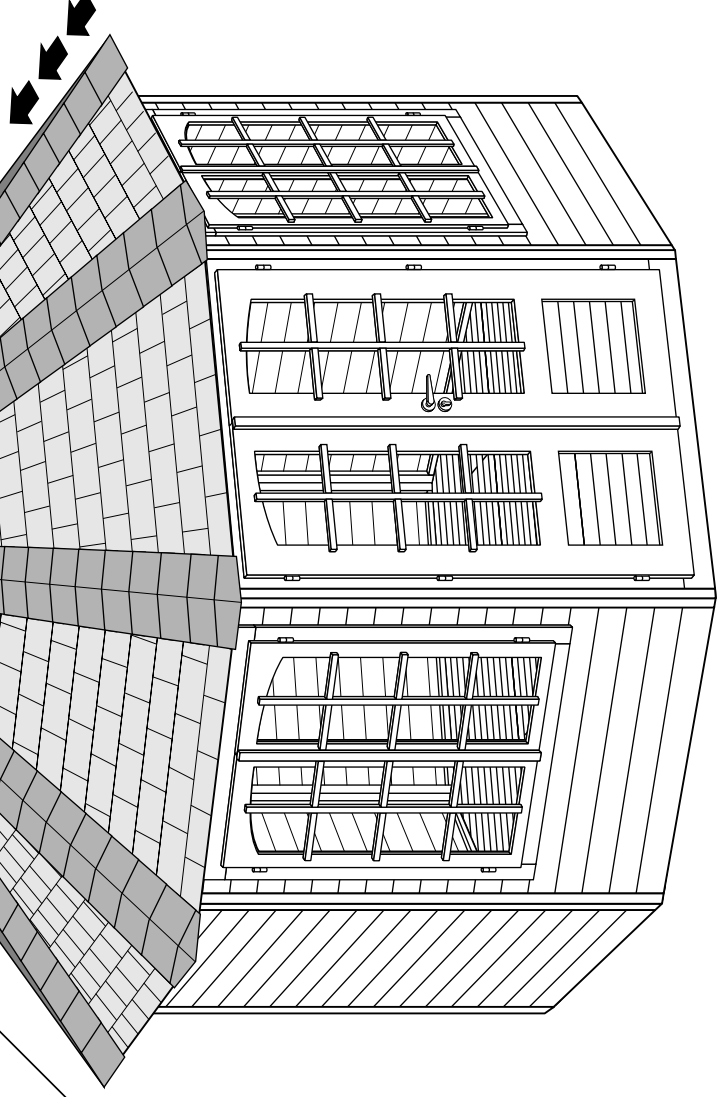






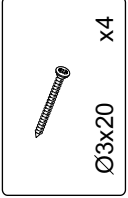
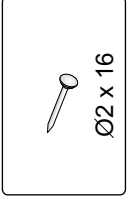
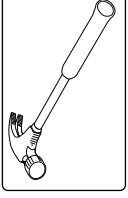
**III**

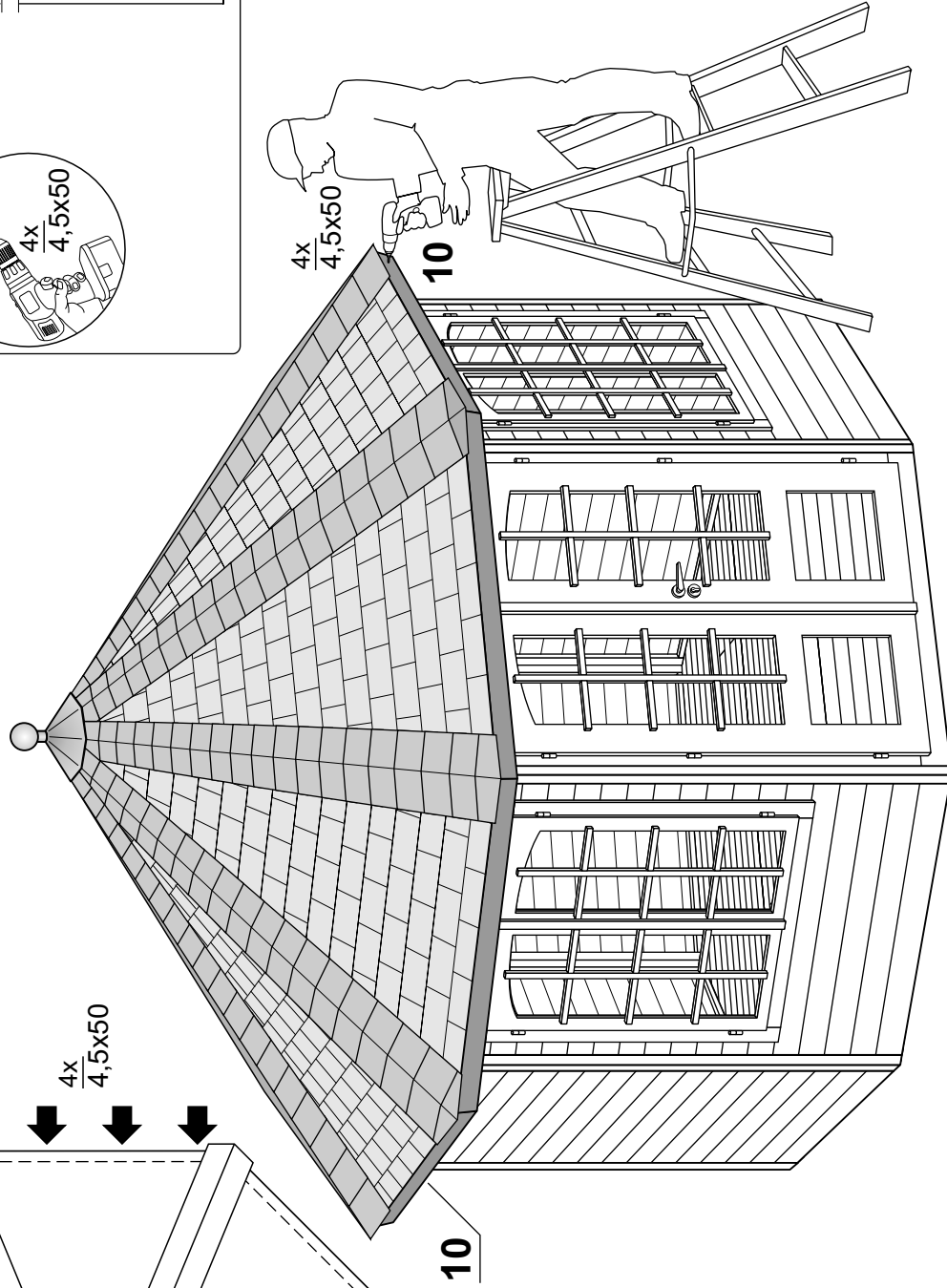
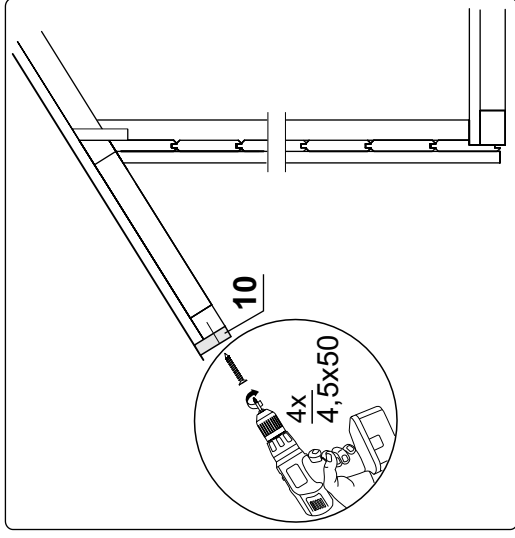
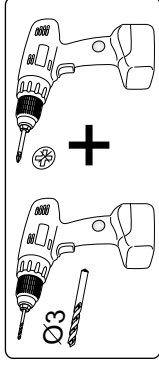
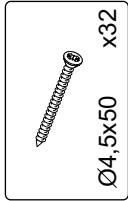
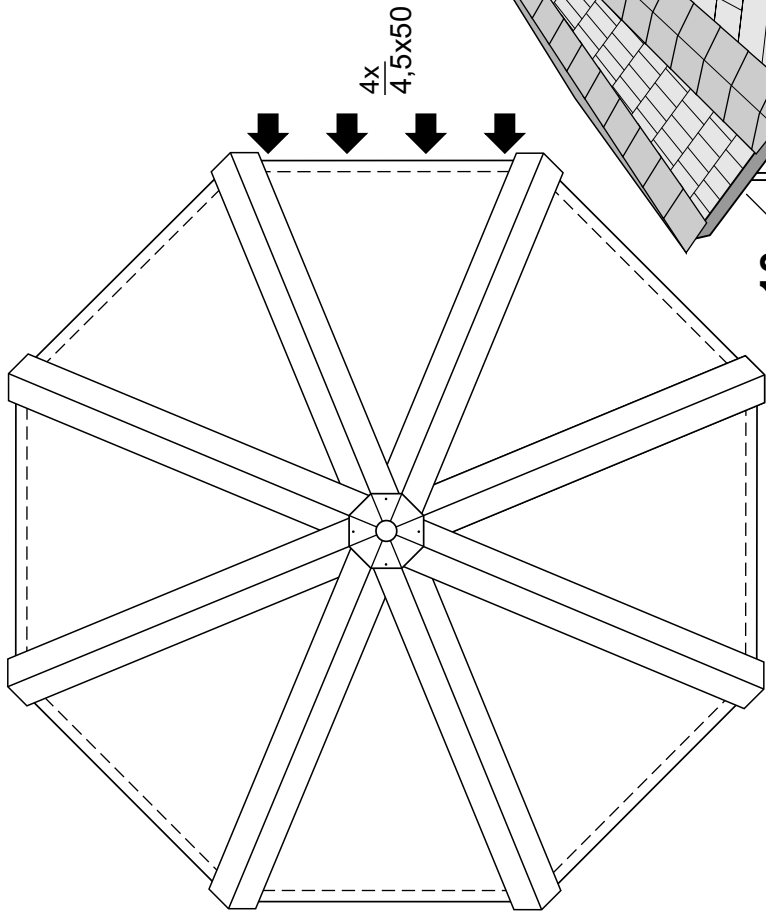
4x  
Ø3x20

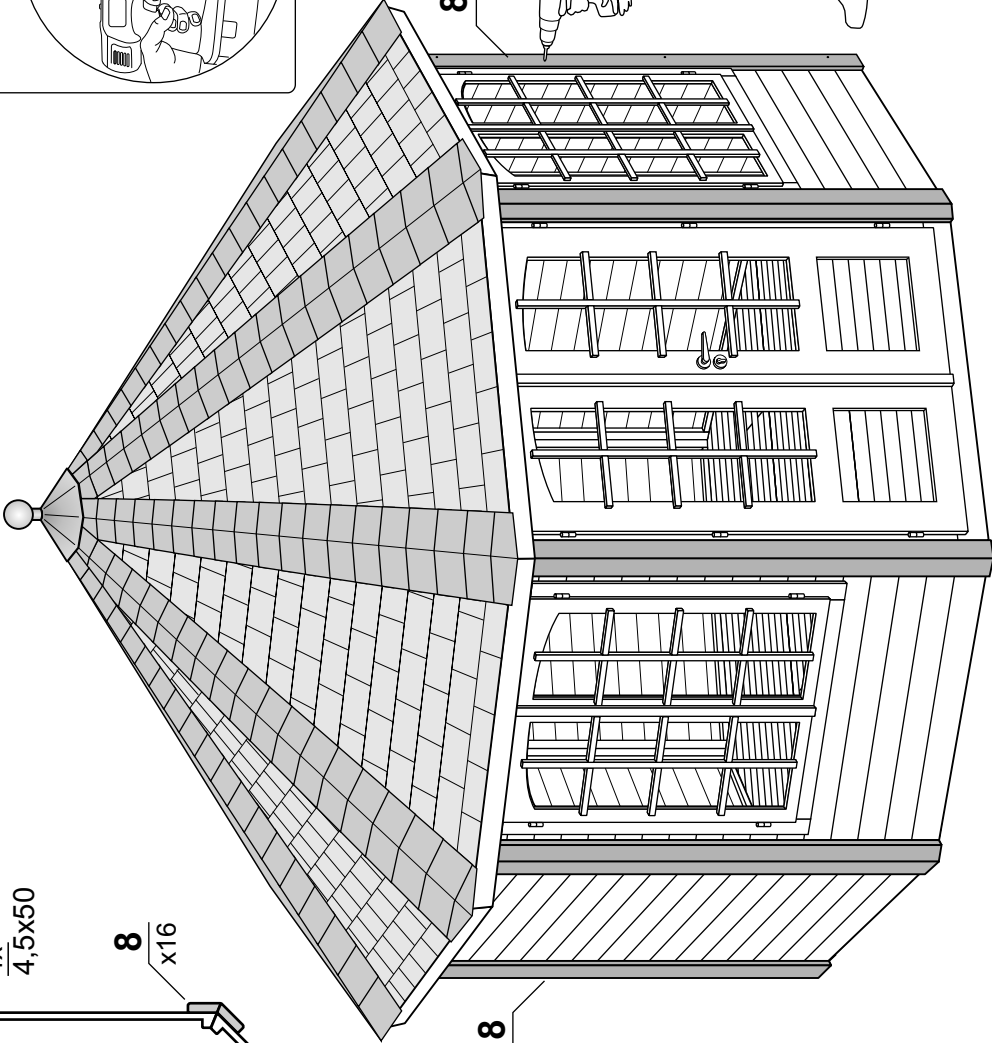
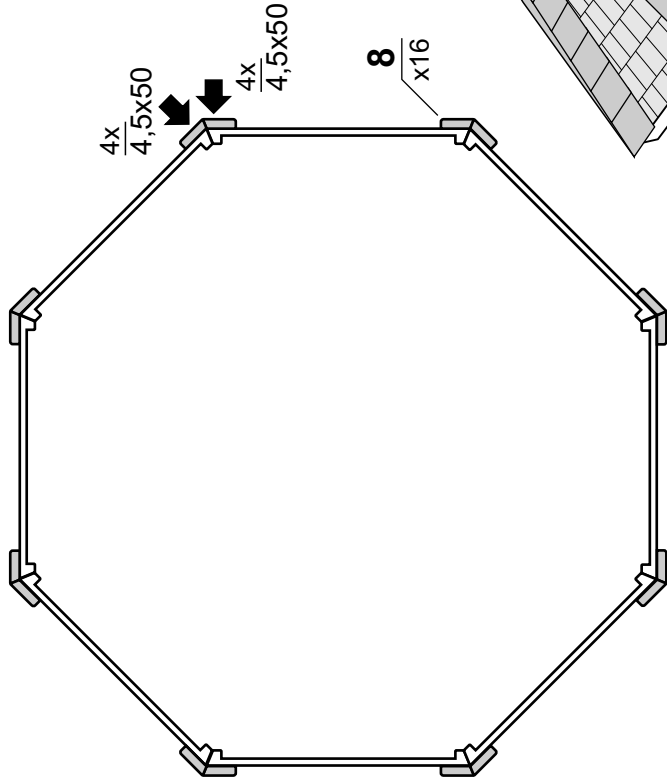
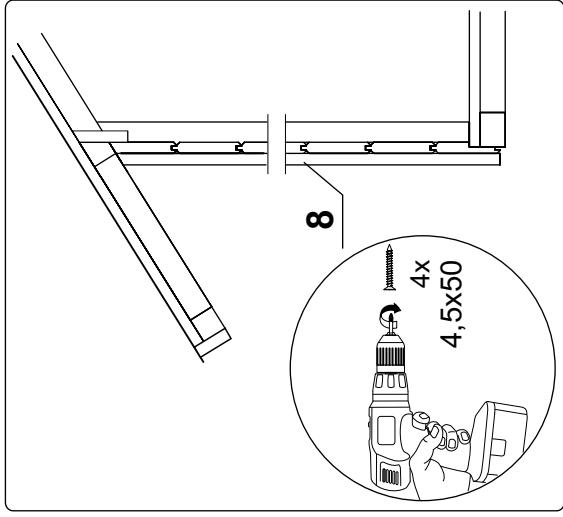
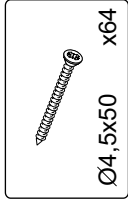
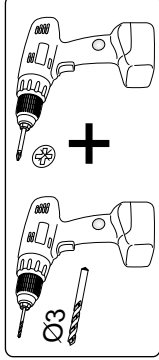


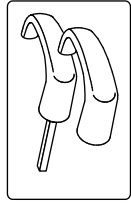
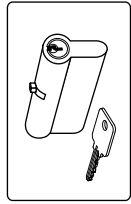
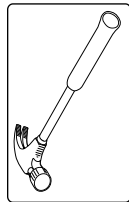
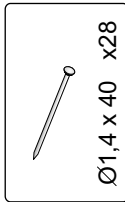
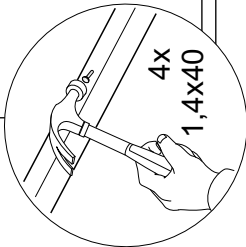
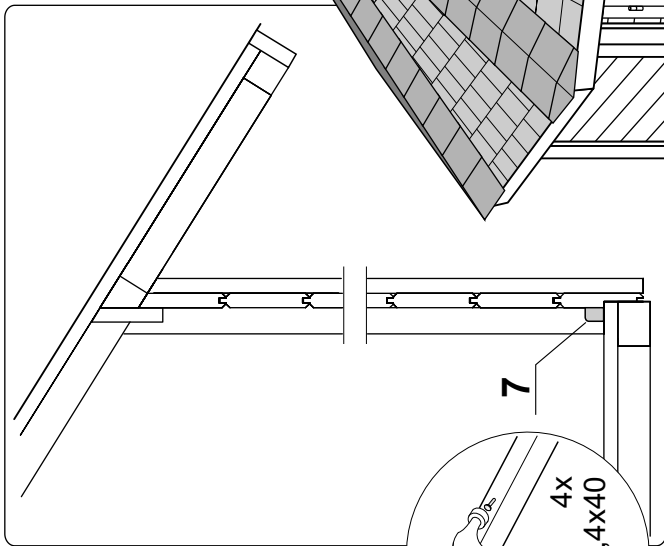
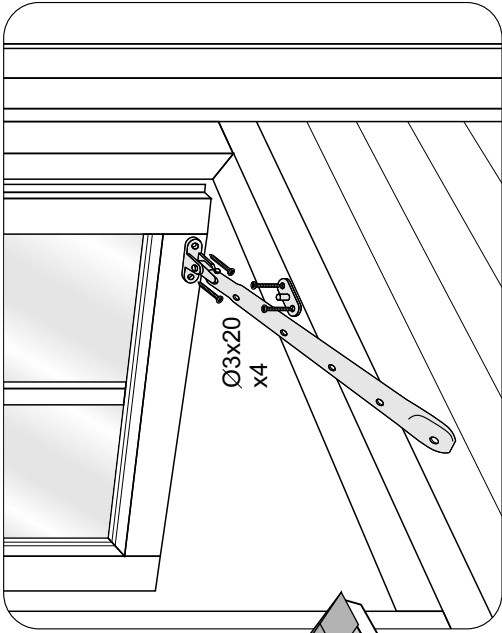
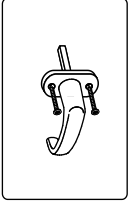
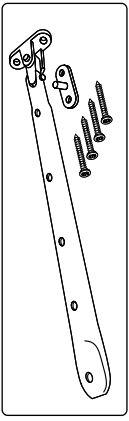
**II**

Ø2 x 16

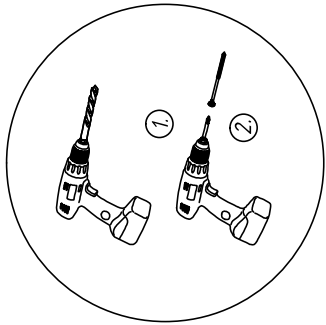
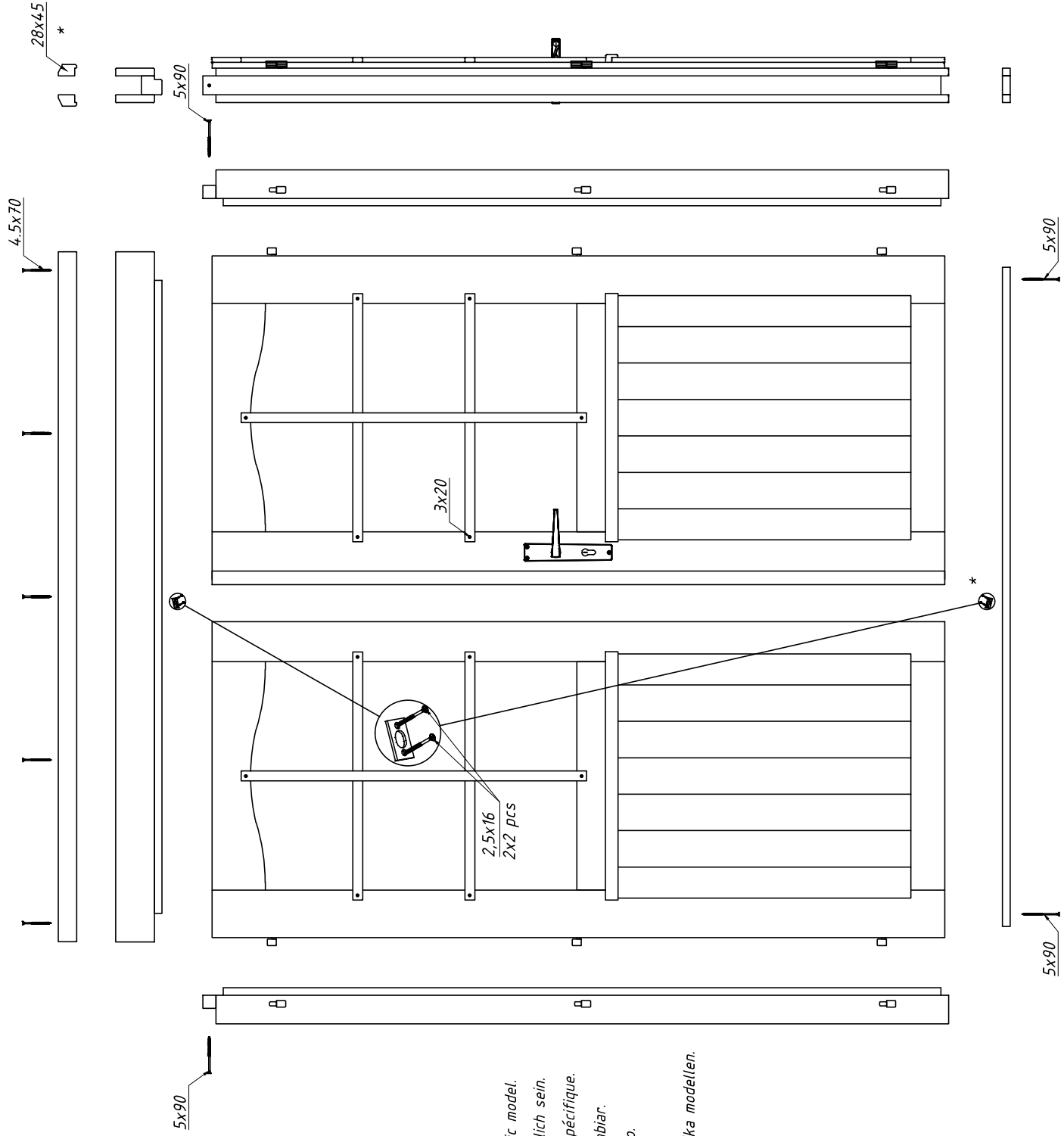












- \* The specification may vary depending on the specific model.
- \* Die Spezifikation können je nach Modell unterschiedlich sein.
- \* Les spécifications peuvent varier selon le modèle spécifique.
- \* Dependiendo del modelo, la especificación puede cambiar.
- \* Le specifiche possono variare a seconda del modello.
- \* Tekniset tiedot voivat vaihdella mallista riippuen.
- \* Specifikationen kan variera beroende på den specifika modellen.