

Assembly, installation and maintenance manual

KANSAS CITY 2 Playhouse

Width 180 x Depth 331 cm
Wall thickness 16 mm



WARNINGS:

Not suitable for children under 3 years. Risk of crushing.
To be used under the direct supervision of an adult. Risk of falling.
Only for outdoor domestic use.
Keep away from fire.
The product is supplied disassembled. Adult assembly required.
Intended for children from 3 to 14 years (max 50 kg/user).

Attention!

It is not allowed to climb on the barriers and roof of the assembled house.
Caution. Wooden details can contain slight torn grain or sharp ends and edges.
The product is designed for simultaneous use by up to 6 persons.
The supplied kit does not include any roof cover material. Before you begin using the house, you must obtain a suitable roof cover material (bitumen shingles or rolls) and install it in accordance with the manufacturer's instructions! It is not recommended to leave the house without a roof cover in the rain or it will void the warranty!
The product is delivered unfinished.

1 Assembly manual



Dear client,

We are glad that you have decided in favour of our garden house!

Please read the assembly manual carefully before proceeding with the house installation! You will thus avoid problems and will not waste time.

Recommendations:

- Keep the house package until its complete assembly in a dry place, but not in direct contact with the ground, protected from weather conditions (moisture, the sun, etc.). Do not keep the house package in a heated room!
- Assemble the product on the smooth surface at least 2m from any construction or barrier such as fence, garage, house, above situated tree branches, clotheslines and electric cables.
- When selecting the garden house location, make sure that the house will not be subjected to extreme weather conditions (areas of strong snowfall or winds); otherwise you should attach the house (for instance, with anchors) to the subsoil.
- Since the foundation joists are in constant contact with the ground they must be treated with a special wood preservative. Consult a specialist regarding paints suitable for unprocessed softwood and follow the paint manufacturer's instructions.



Warranty

Your house is made from high quality fir and delivered in the natural (unprocessed) form. If, despite our thorough inspection, you should have complaints, please submit the filled out control sheet and purchase invoice to the product seller.

ATTENTION: Please be sure to keep the documentation accompanying the house package! The control sheet includes the control number of the house. We can only review complaints if you submit the control number of the house to the seller!

The warranty does not cover:

- Peculiarities of wood as a natural material
- Wooden details already painted (processed with a wood preservative)
- Wooden details containing whole branches that do not endanger the stability of the house
- Colour tone variations caused by wood structure differences that do not influence wood lifetime
- Wooden details containing (caused by drying) small cracks/gaps that do not pass through and do not influence the structure of the house
- Twisted wooden details if they can nevertheless be installed
- Roof and floor boards that may have on their concealed surfaces some non-planed areas, colour differences and waning
- Complaints resulting from an incompetent manner of the installation of the house or the house subsiding due to an incompetently made foundation
- Complaints caused by introducing self-initiative changes to the house, such as the deformation of wooden details and doors/windows due to an incompetent manner of wood processing; the attachment of storm braces too rigidly, doorframes being screwed onto wall logs, etc.

The complaints covered by the warranty are satisfied to the extent of replacing the deficient/faulty material. All other demands will be excluded!



Garden house painting and maintenance

Wood is a natural material, growing and adapting depending on weather conditions. Large and small cracks, colour tone differences and changes, as well as a changing structure of wood are not errors, but a result of wood growing and a peculiarity of wood as a natural material.

Unprocessed wood becomes greyish after having been left untouched for a while, and can be turn blue and become mouldy. To protect the wooden details of your garden house, you must immediately process them with a wood preservative.

Attention! **The house is supplied without elaborative workmanship. To reduce fire hazard you should use paints or impregnation substances that prevent fire from spreading! Use water-based paints and impregnation substances and avoid solvent-based products!**

Consult a specialist regarding paints suitable for unprocessed softwood and follow the paint manufacturer's instructions.

It is not allowed to cover the product with lacquer or paint on which surface the flame spread rate is higher than 20mm/s.

When painting, use high quality tools and paints, follow the paint application manual and manufacturer's safety and usage instructions. Never paint a surface in strong sunlight or rainy weather.

After the house assembly is completed, we recommend for the conclusive finishing a weather protection paint that will protect wood from moisture and UV radiation.

- In lengthy periods of dry weather wood can shrink and the screw/bolt spots attachments can become weak. Conduct regular checks and tighten the screws/bolts as necessary (no less frequently than 6 month)! Otherwise the product may become dangerous.
- The suitability of the base material, corrosion of accessories and rotting of wooden parts should be checked once a year. Moving parts must be oiled and worn and/or defective parts should be replaced with parts provided by the manufacturer.
- Be especially attentive when checking barrier and door attachments.
- It is recommended to inspect the house thoroughly once in a year. Regular painting of the house will prolong its useful life substantially.
- You should also check the condition of the roof to discover any leaks as early as possible. Eliminate leaks as you find them to prevent rainwater from damaging the roof and other wooden parts of the house.

Attention! **For repairing the product use only identical details. The specification of the components can be found from the documentation accompanying the house package.**

2 Installation manual

Tools and preparation of components

To assemble the garden house, you will need the following tools:



assembly aid



ladder



hammer



water-level



screwdriver



saw



knife



measuring tape



pliers



set of drill



file



adjustable spanner



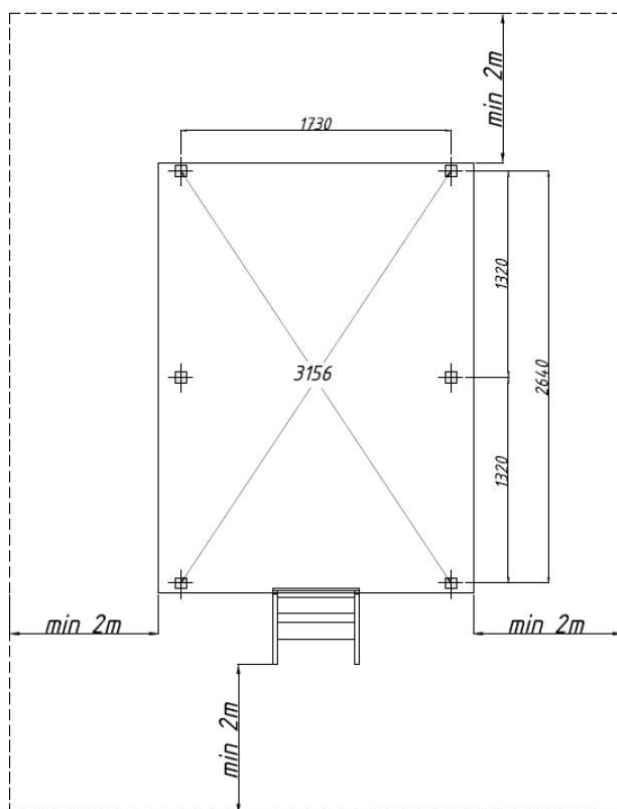
pencil

ADVICE: To avoid possible injuries from splinters, we recommend to wear the corresponding protective gloves during the assembly process. To protect your eyes from sawdust, we recommend to wear protective glasses during the assembly process.

Before screwing, please drill hole in order to avoid cracks in the wood.

All projecting screws and sharp edges must be panned smooth immediately after installation to avoid potential injuries.

Mark on the base surface the spots for the house pillars as indicated in this drawing:



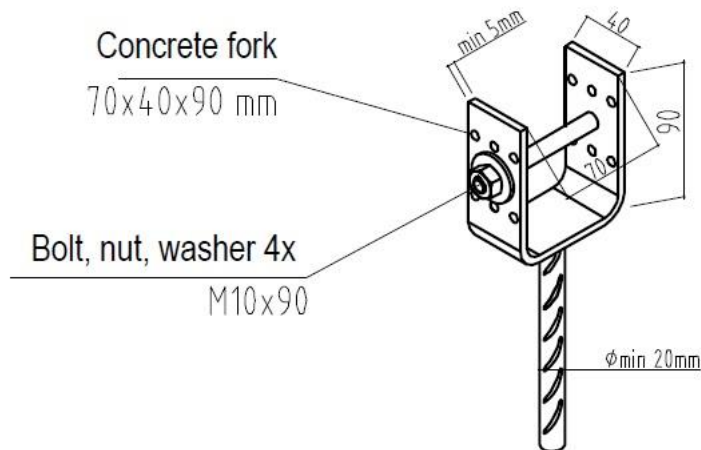
- **The house must be anchored to the base surface! It is not allowed to use a house that is not anchored! You must select the anchors (not included in the supplied kit) and the appropriate method of attachment depending on the base surface (see installation manual)!**
- **It is not allowed to use ground anchors (no concrete poured) with anchor bolts by attachment to pavement slabs!**

The house can be installed on either a soft (for instance: lawn) or hard (for instance: pavement slabs) surface.

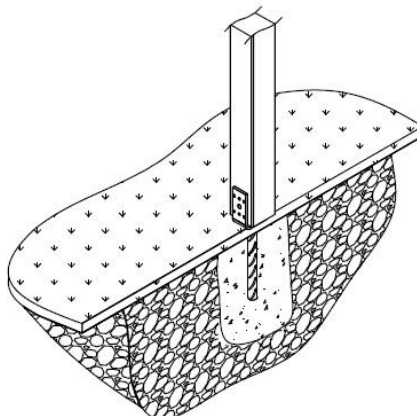
A. Soft surface installation

When installing the house on a soft surface, use concrete forks (4 pcs), Art. 73530 (manufactured from structural steel S235 and reinforced steel DIN488,BST500).

NB! The concrete forks are not included in the supplied kit!



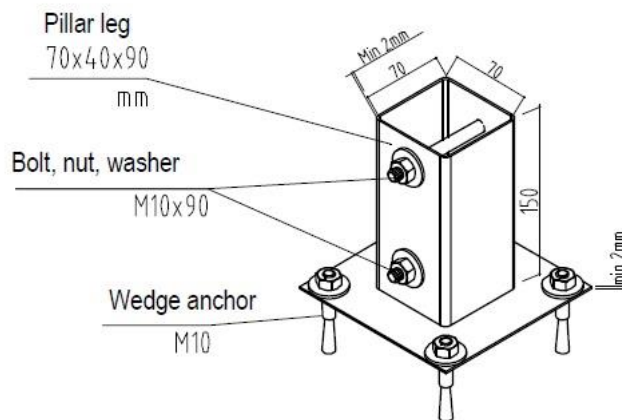
Dig a hole for each support (consult with a local construction company), fill it with concrete and place the concrete forks in the precisely measured spots. Make sure that all the concrete forks are situated at the same height! Allow sufficient time for the concrete to harden. After that put the house on the forks and attach with bolts.



B. Hard surface installation

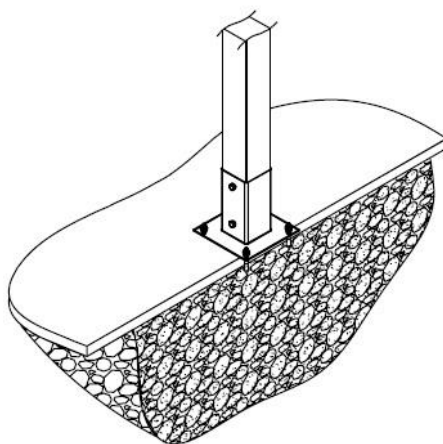
When installing the house on a hard surface, use pillar legs (4 pcs), Art. 73808 (manufactured from structural steel S235, material thickness at least 2 mm).

NB! The pillar legs are not included in the supplied kit!

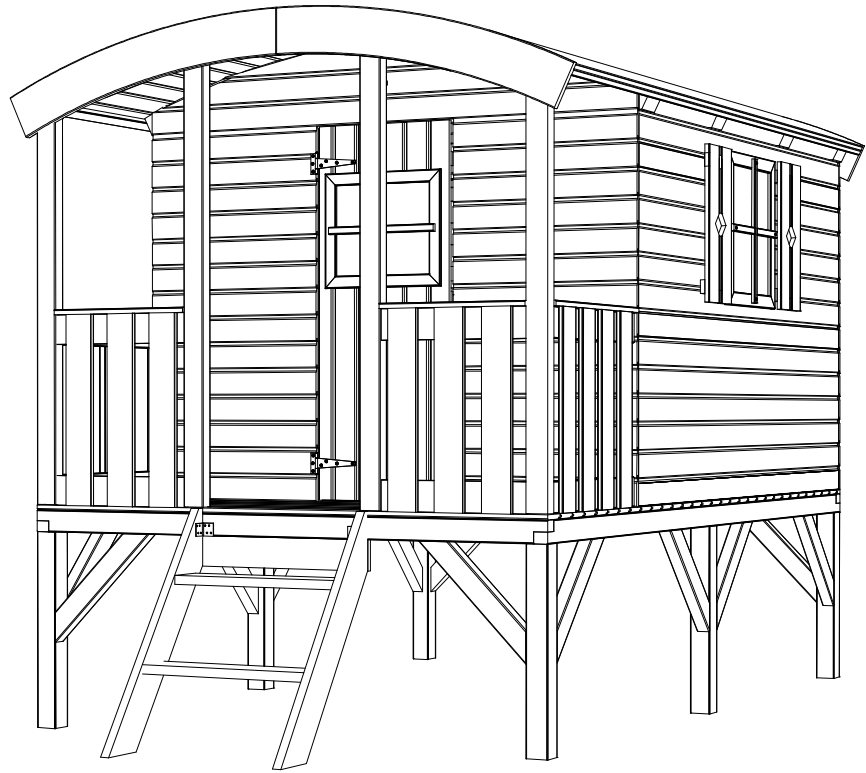


Put the pillar legs on the pillar ends and shift the house to the desired place. Drill holes in the base surface and attach the pillar shoes with wedge anchors. Drill holes in the wooden pillars and attach with bolts.

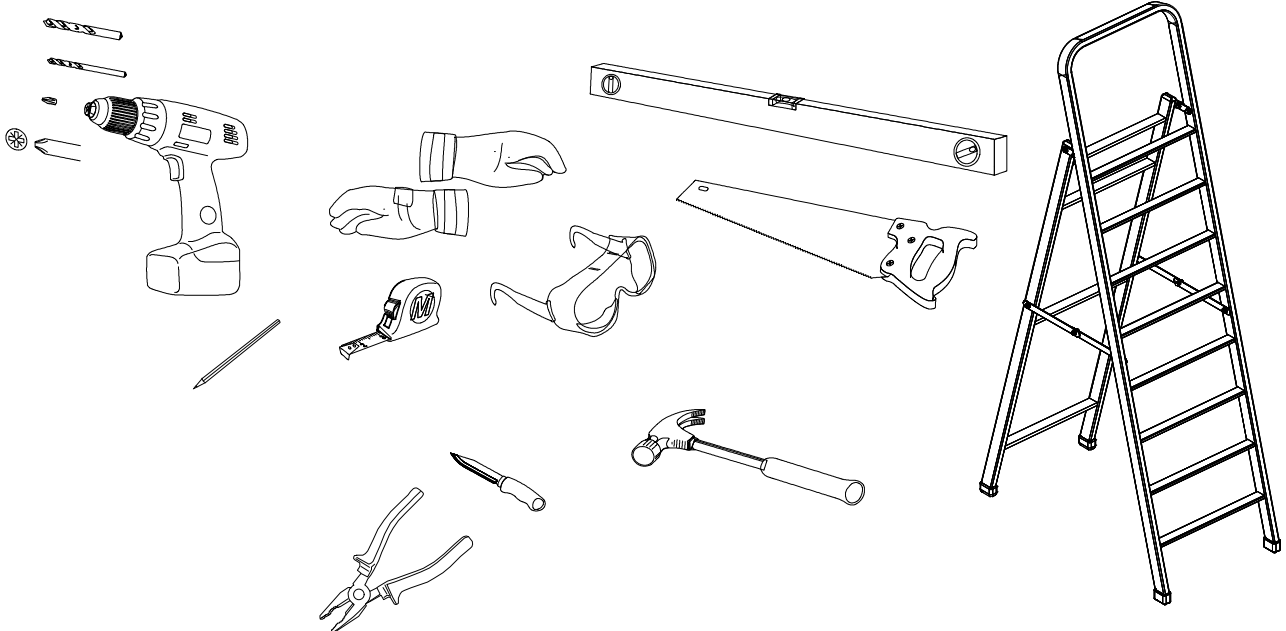
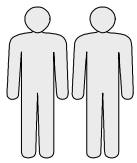
NB! When installing the house on a hard surface, to reduce fall hazard you should fill the surface under and around the house with mulch or another soft material. You can also use special anti-impact mats designed for playgrounds.

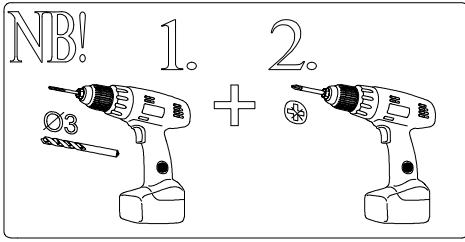


We wish you total success with the garden house installation and much joy with this house for many years to come!

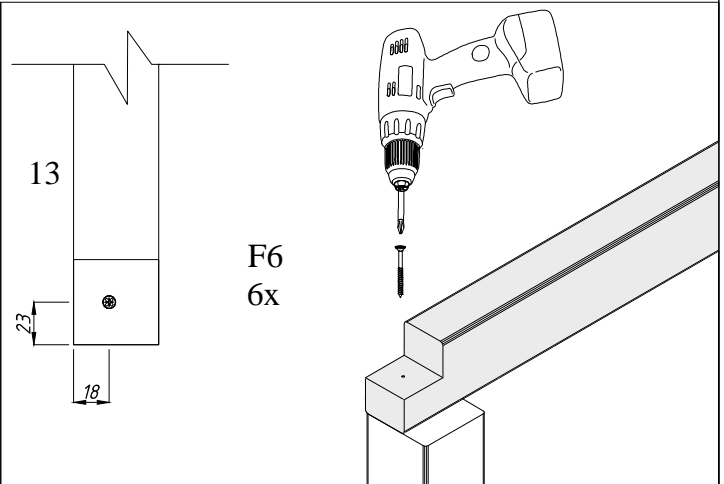
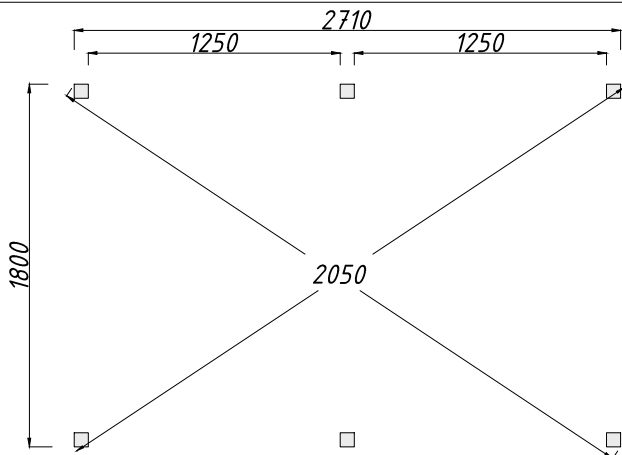
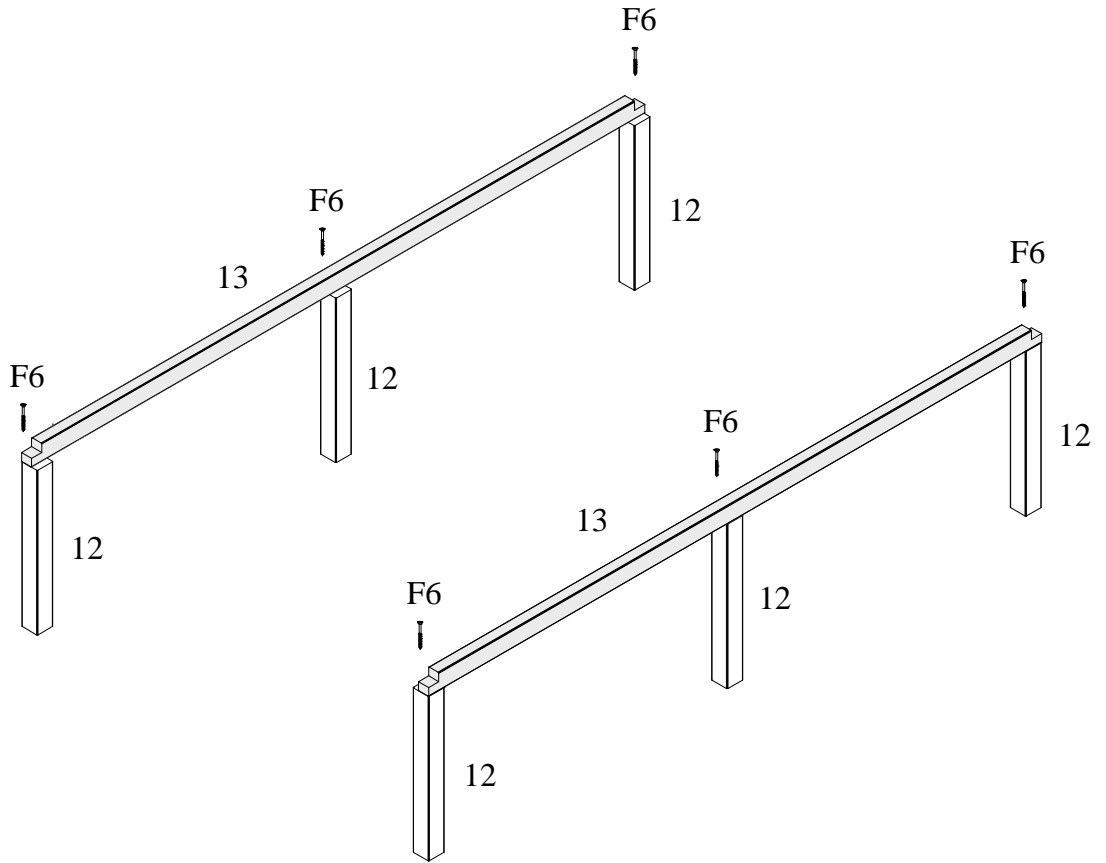


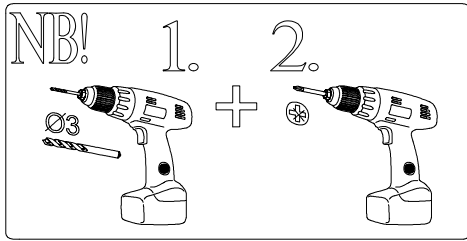
ELC16-1827



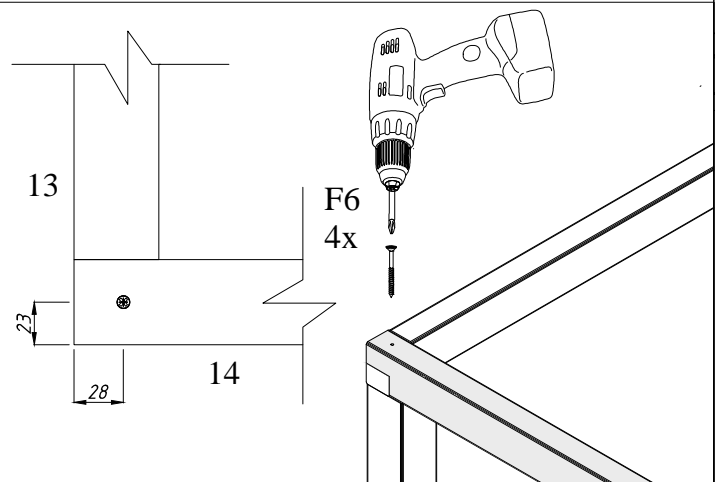
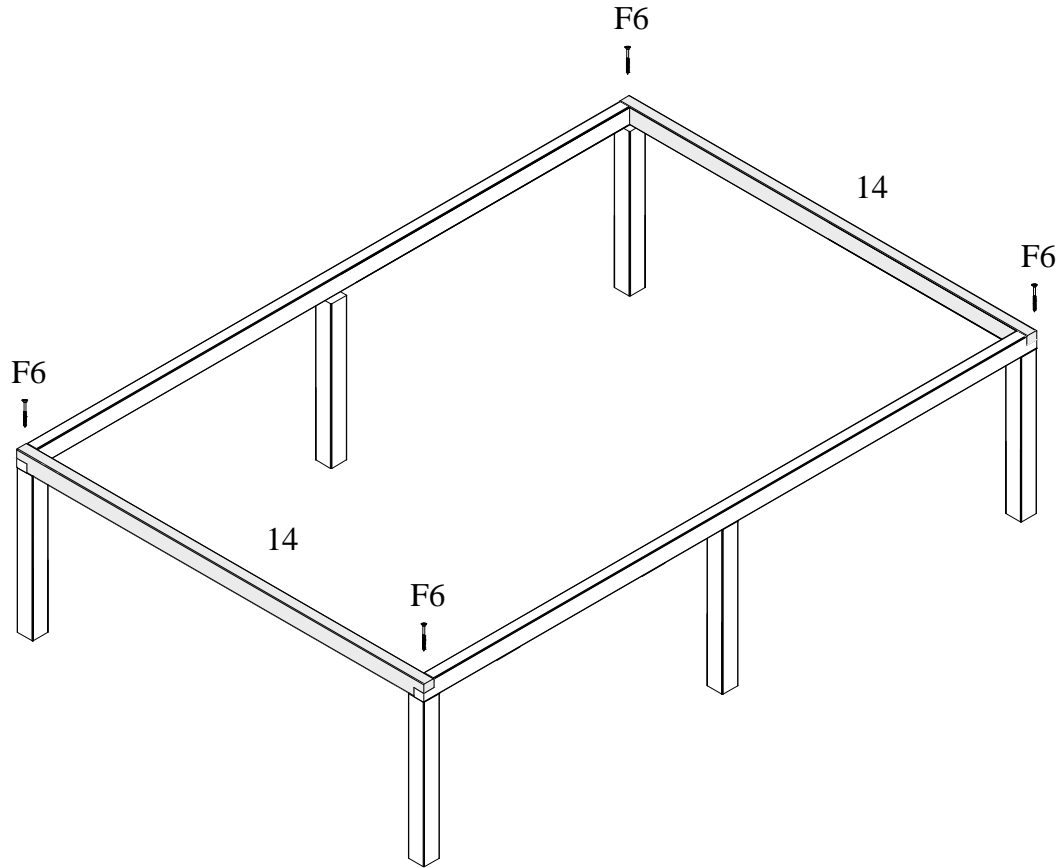


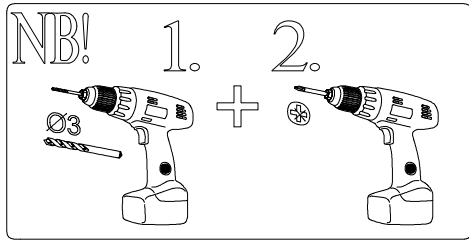
det13-2pcs
det12-6pcs
F6-6pcs



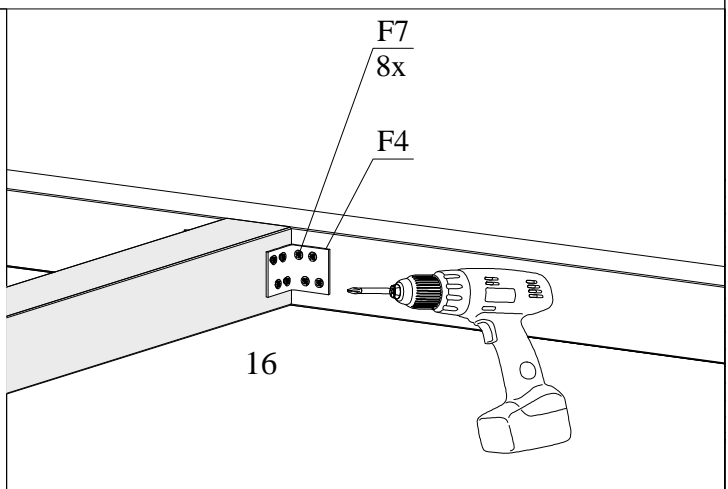
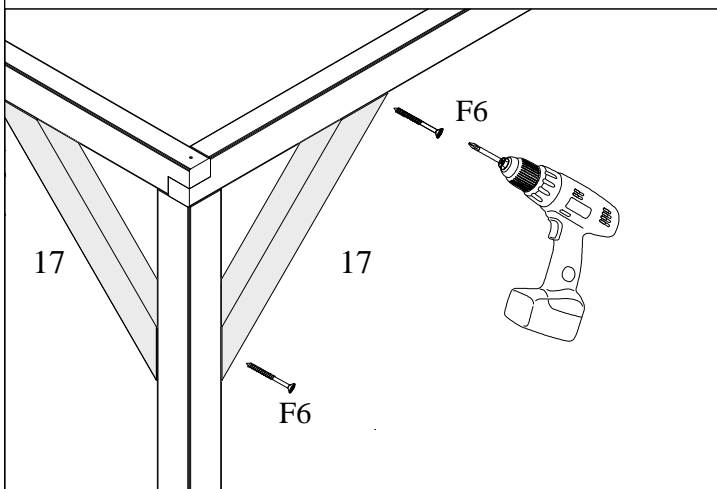
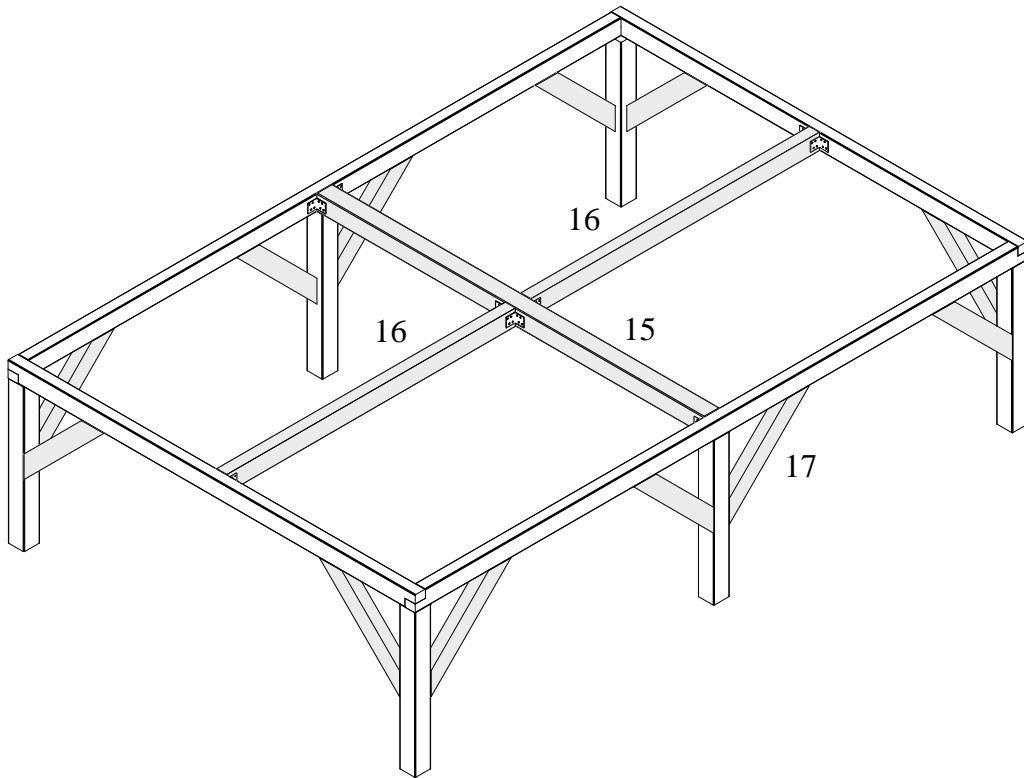


det 14-2 pcs
F6-4 pcs

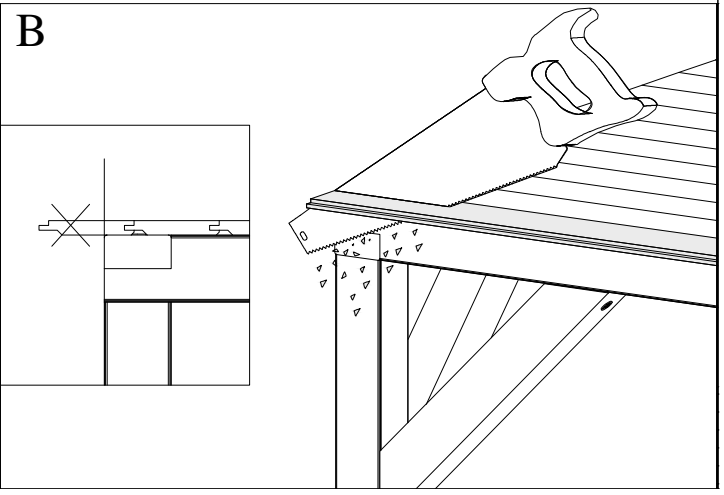
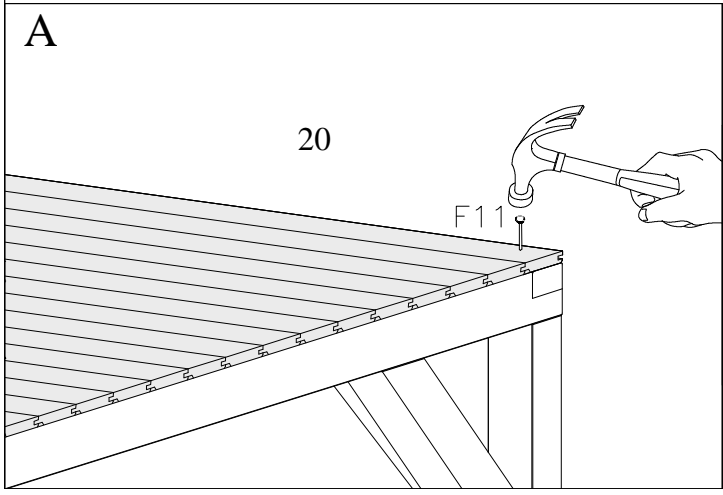
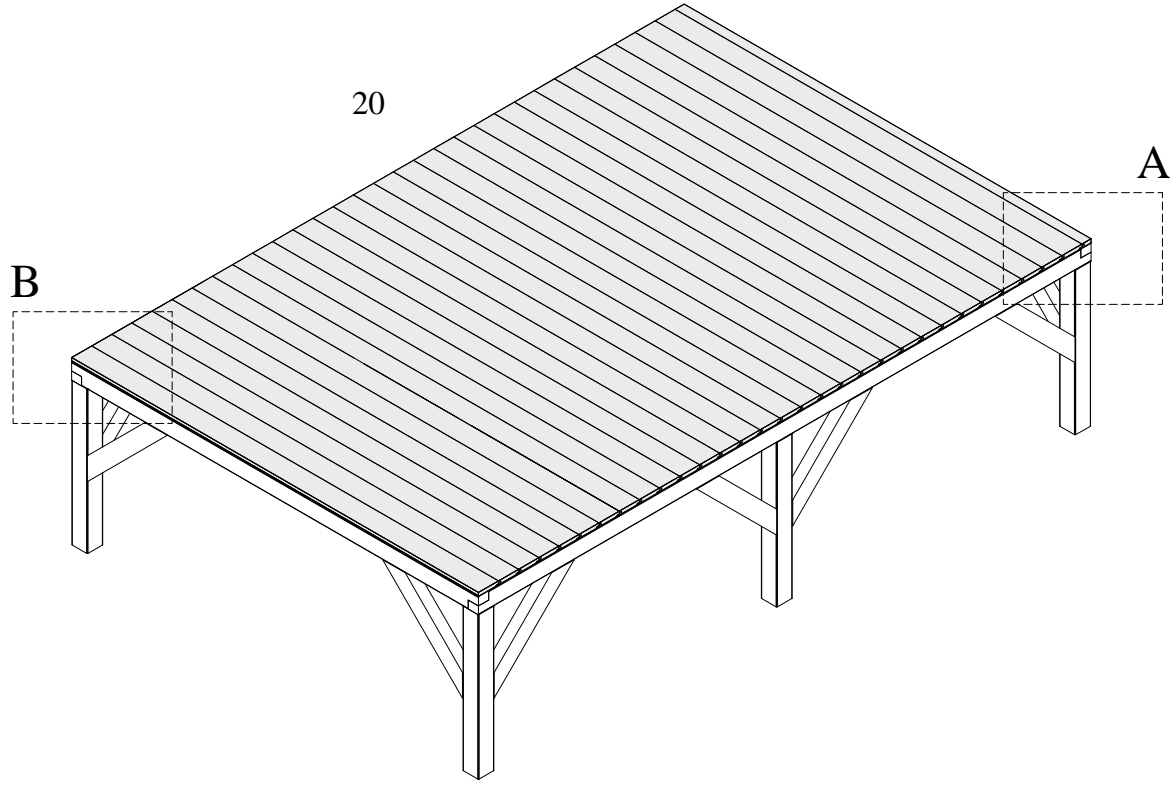


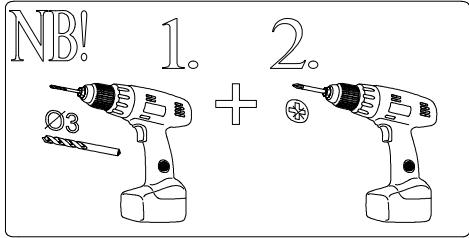


- det15-1pcs
- det16-2pcs
- det17-12pcs
- F6-24pcs
- F4-12pcs
- F7-96pcs

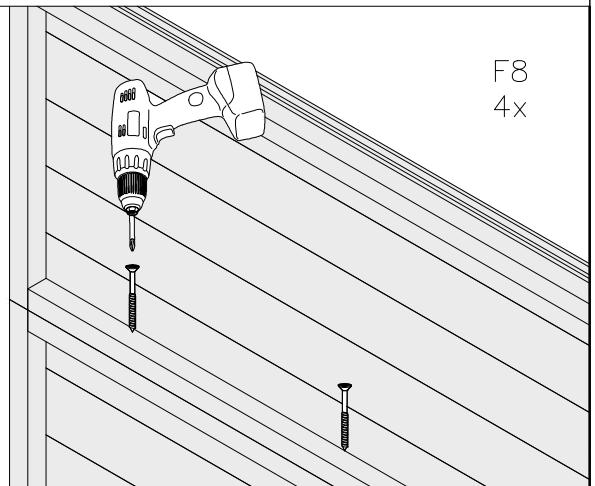
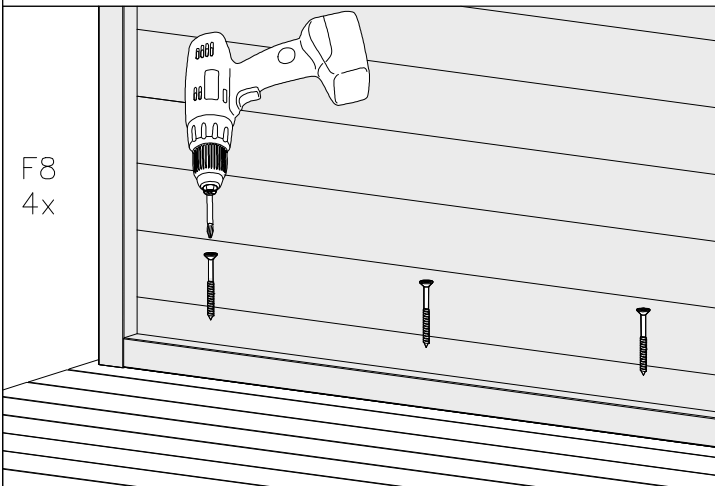
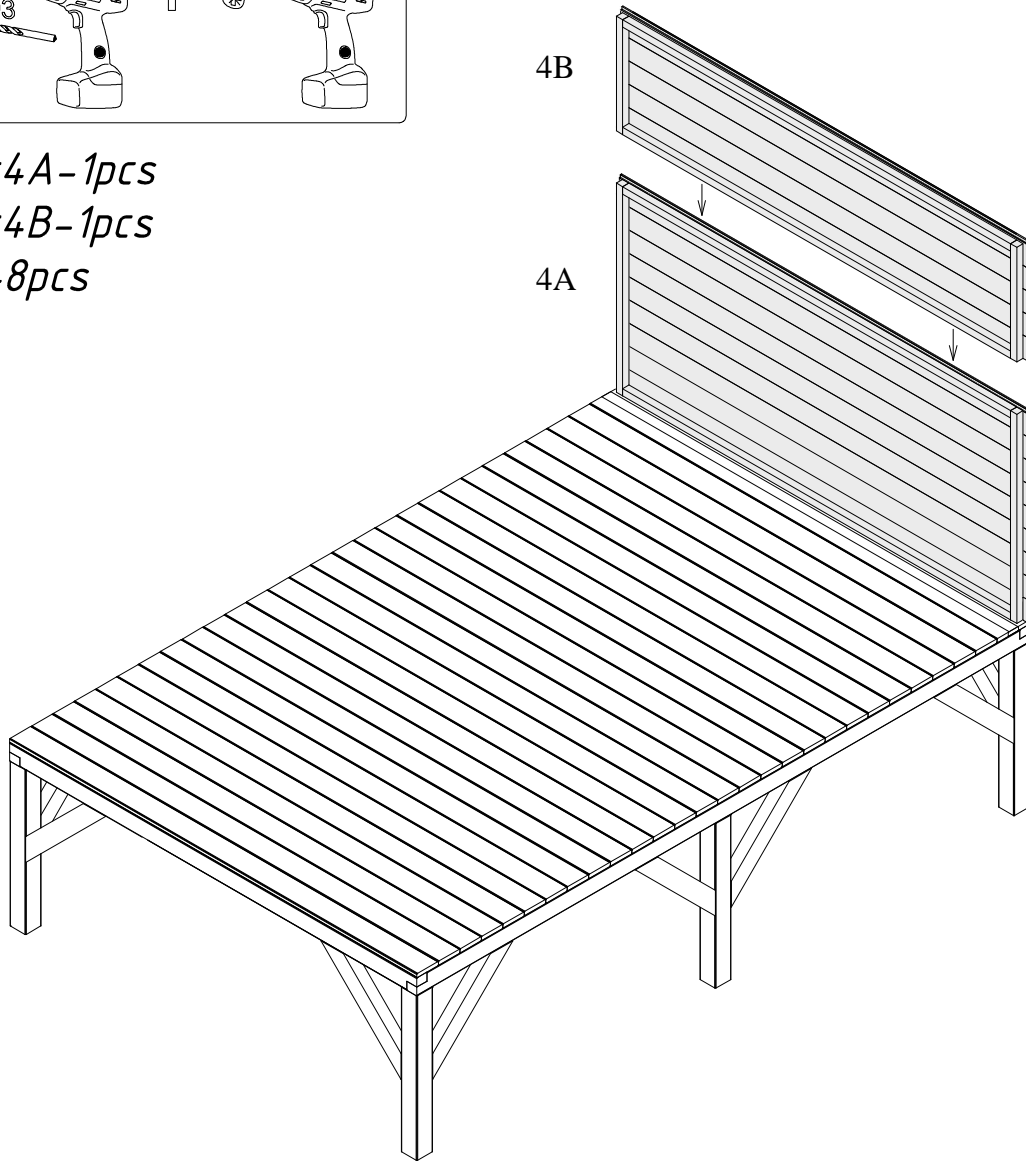


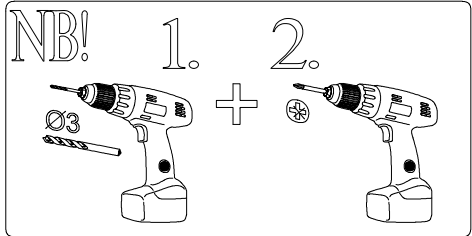
det20-31pcs
F11-93pcs



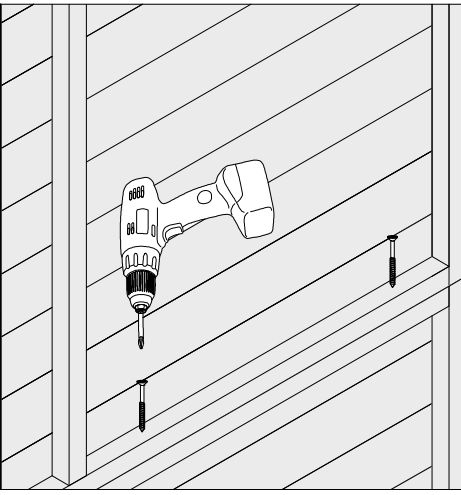
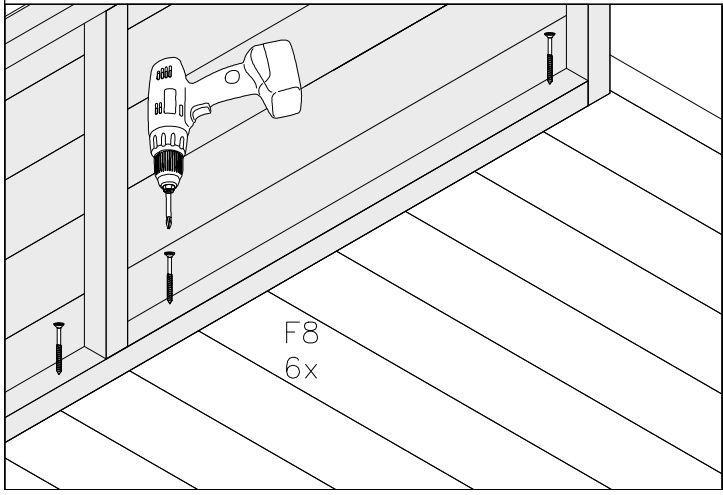
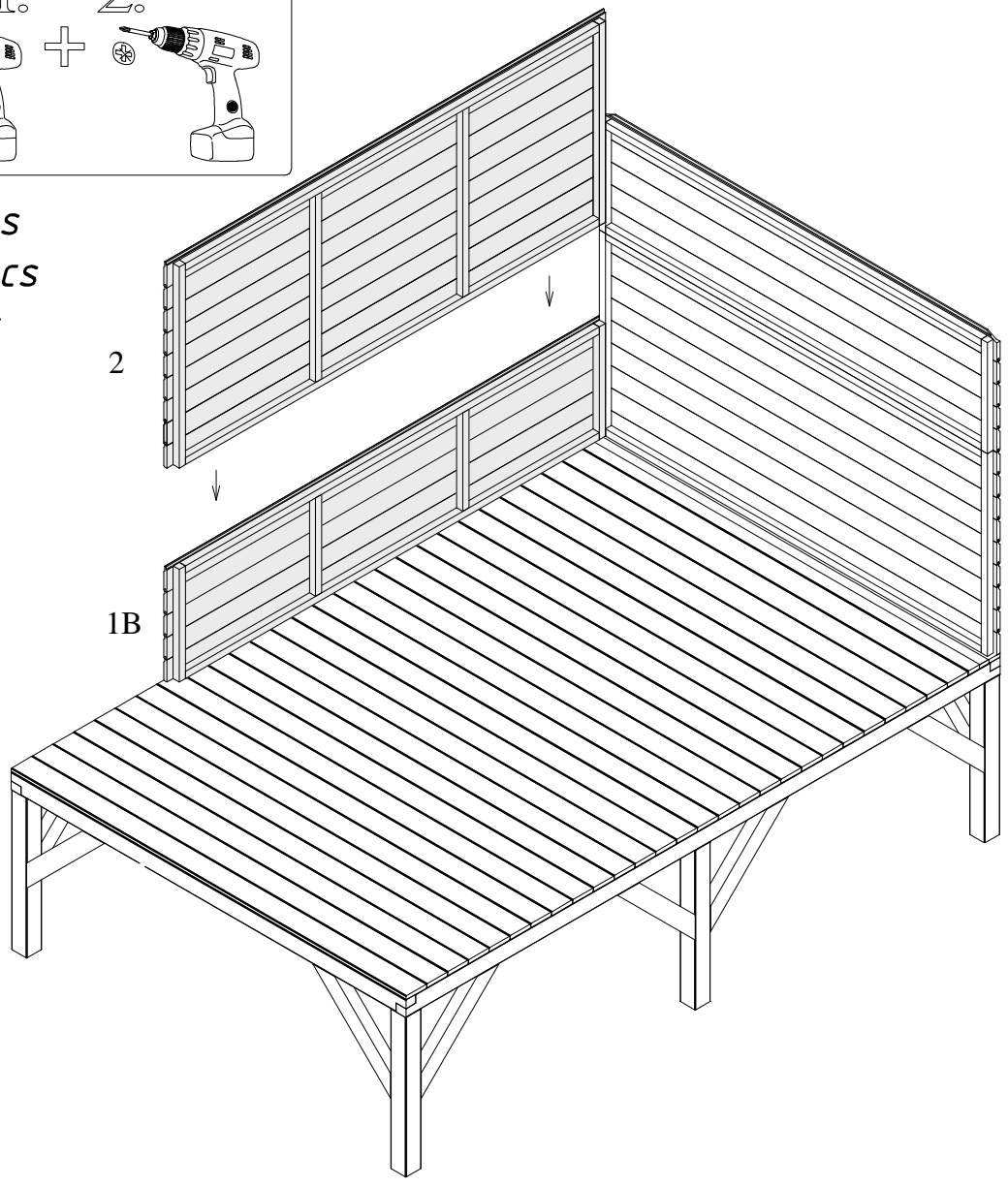


det4A-1pcs
det4B-1pcs
F8-8pcs

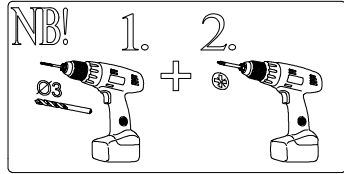




det2-1pcs
det1B-1pcs
F8-12pcs

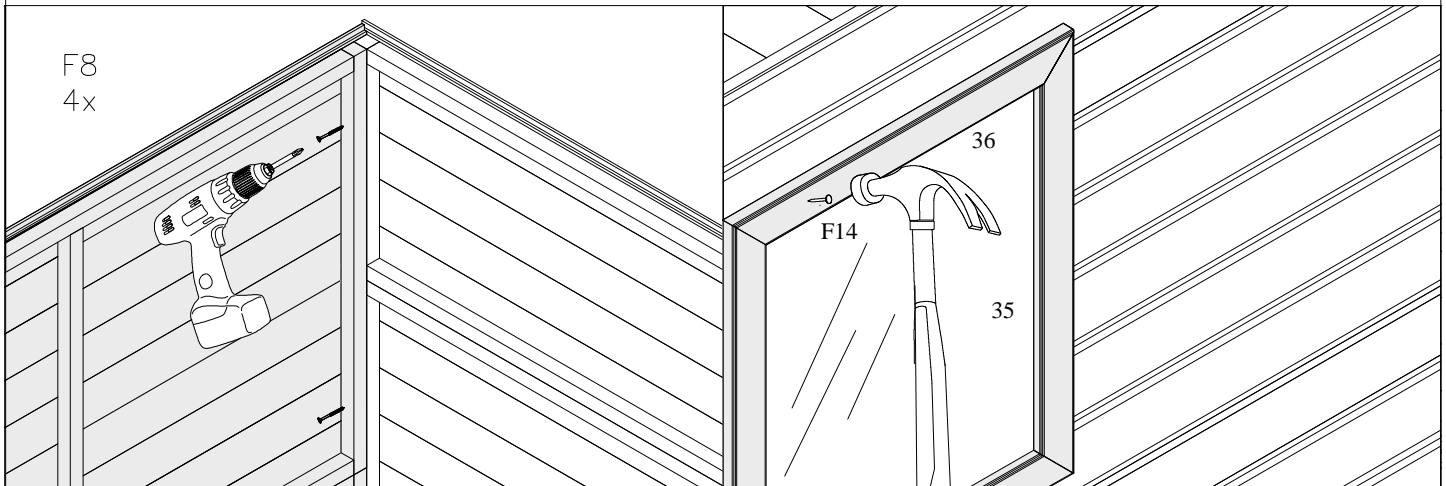
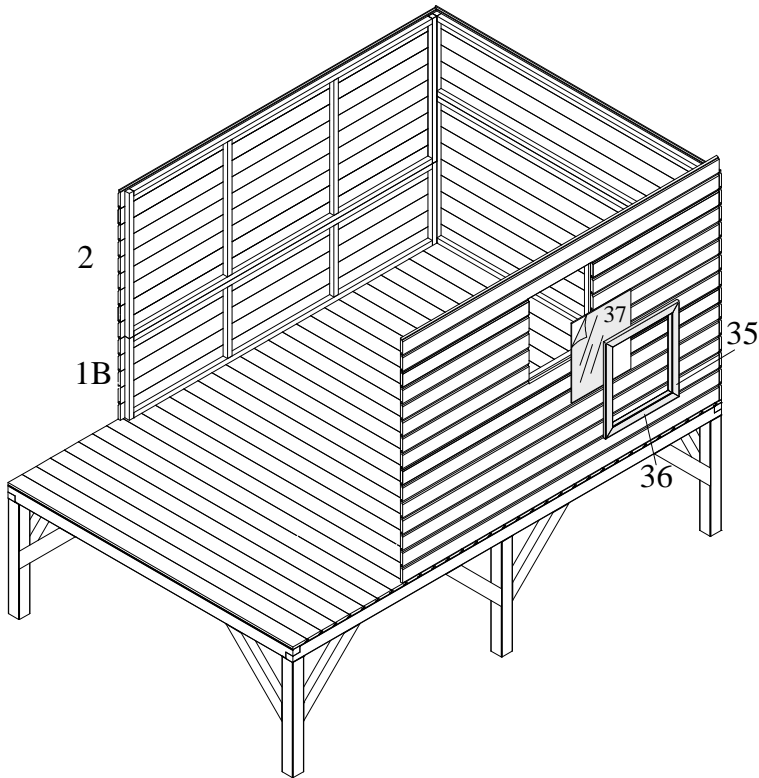
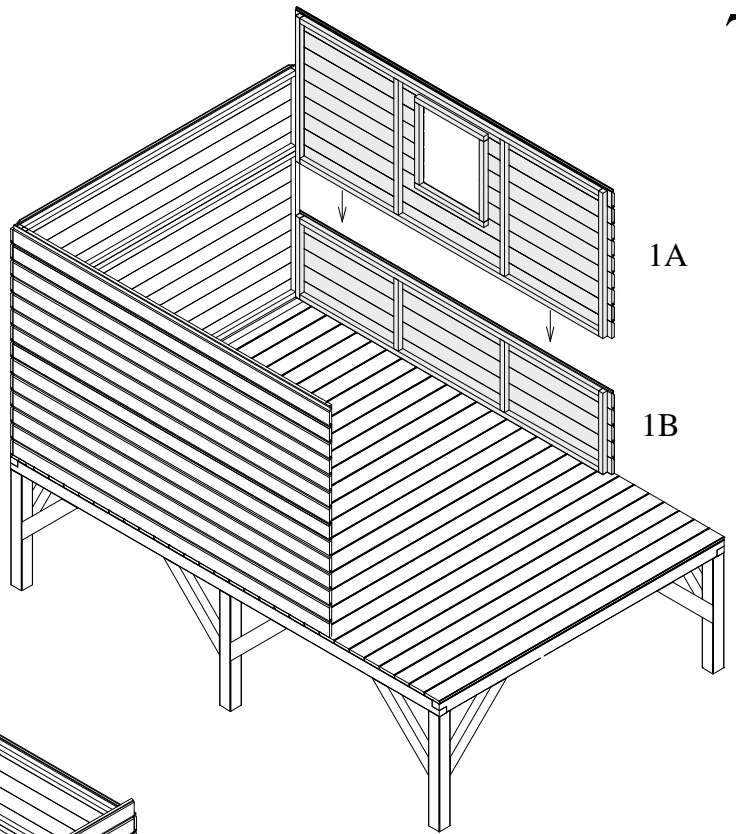


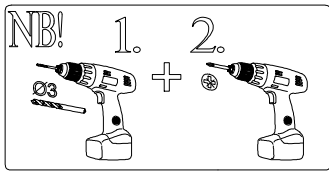
F8
6x



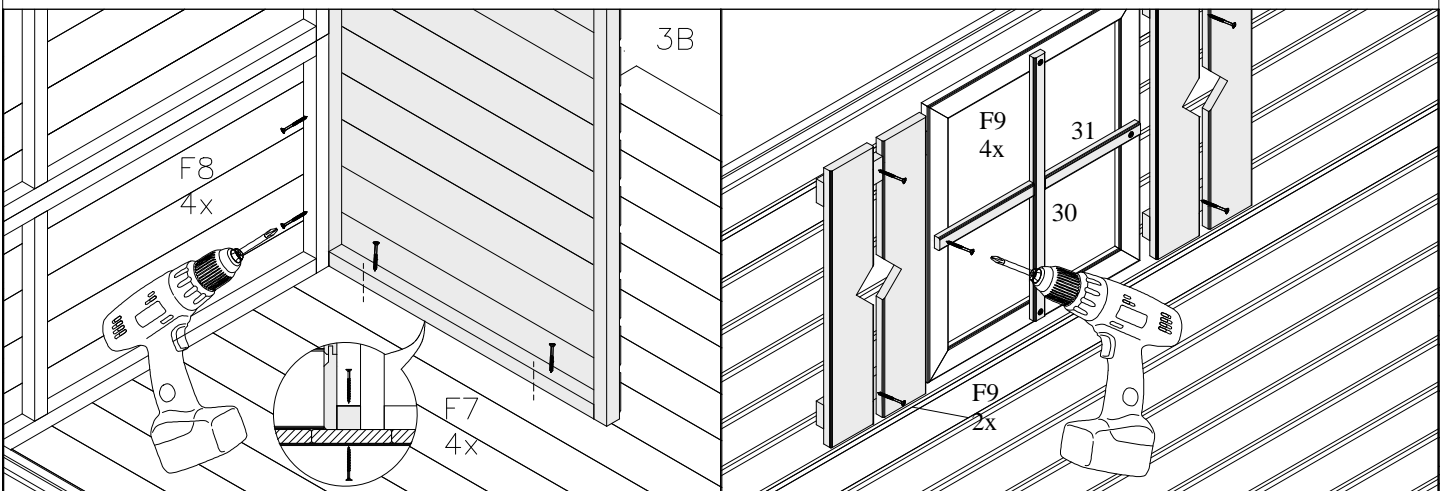
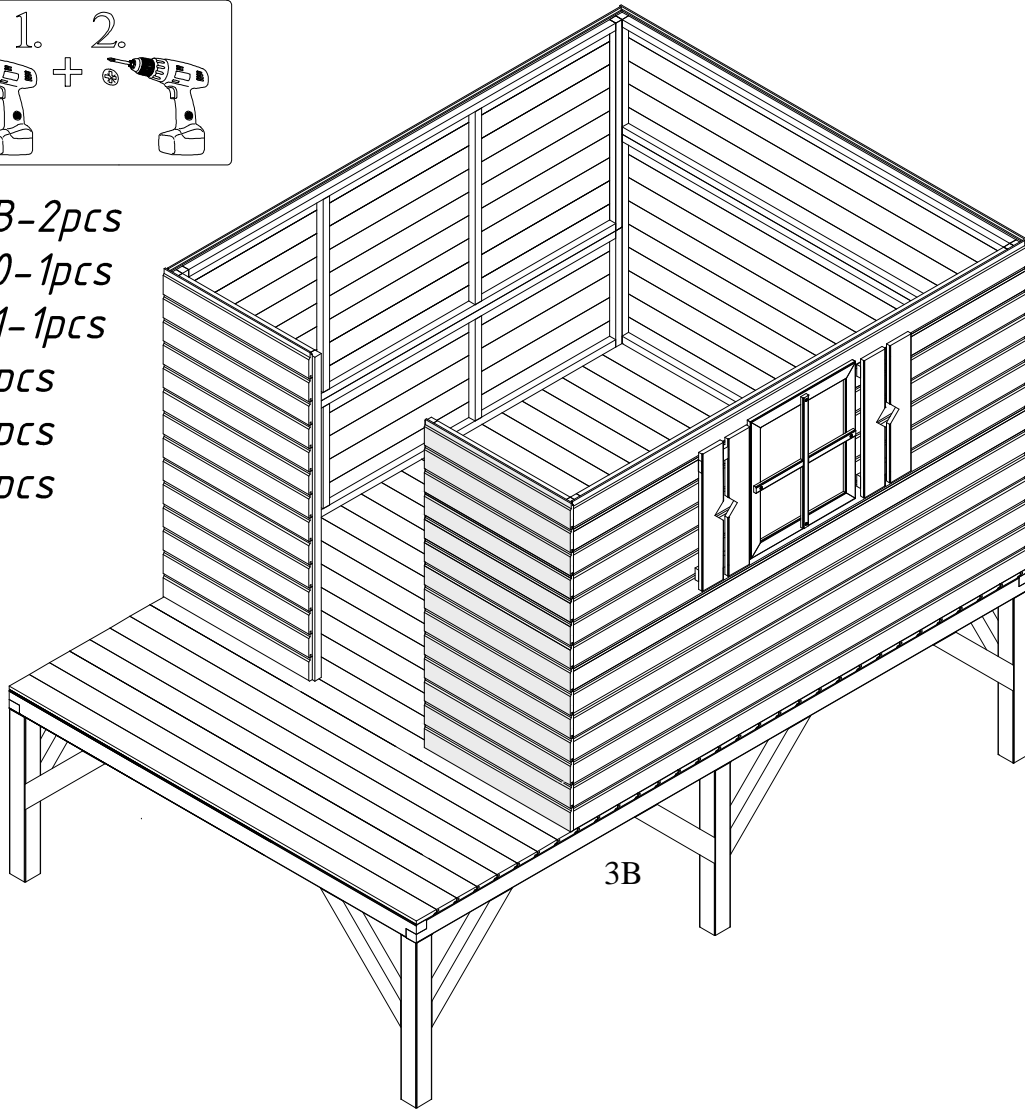
- det1A-1pcs*
- det1B-1pcs*
- det35-2pcs*
- det36-2pcs*
- det37-1pcs*
- F14-12pcs*
- F8-20pcs*

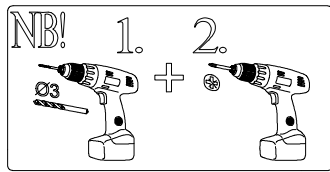
7





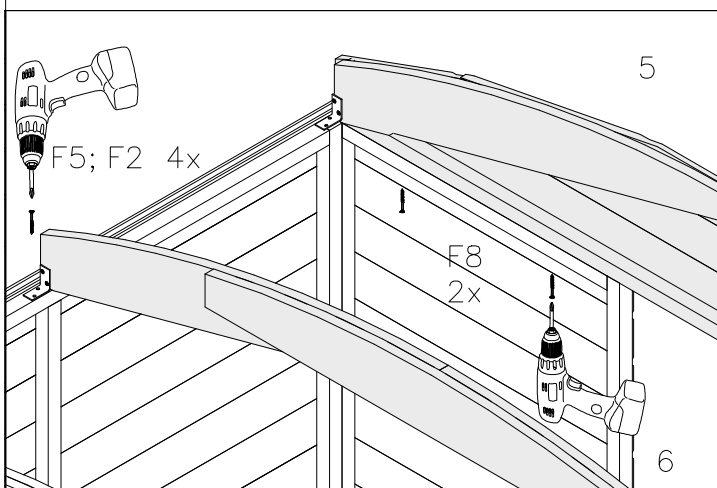
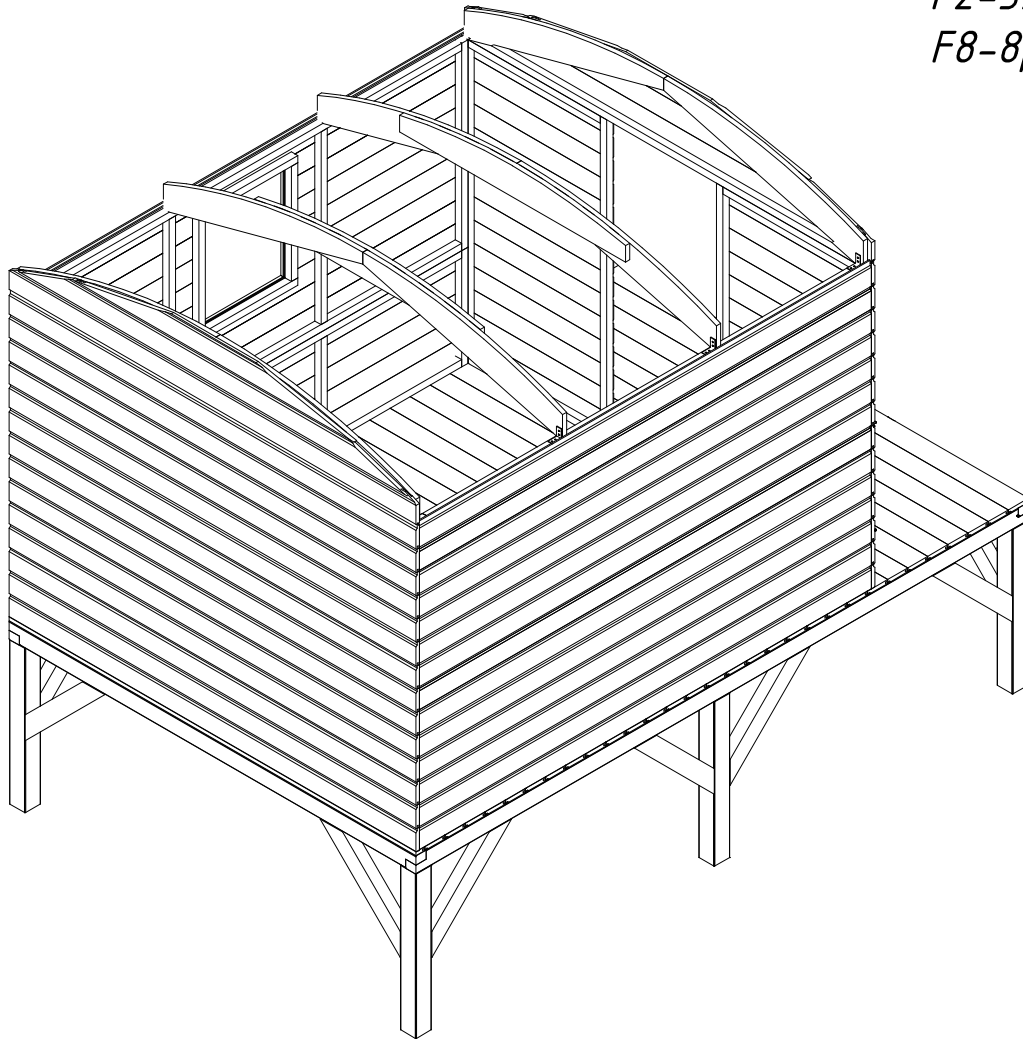
- det3B-2pcs
- det30-1pcs
- det31-1pcs
- F7-8pcs
- F8-8pcs
- F9-8pcs

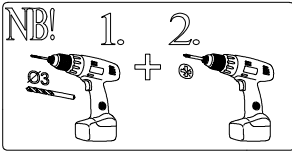




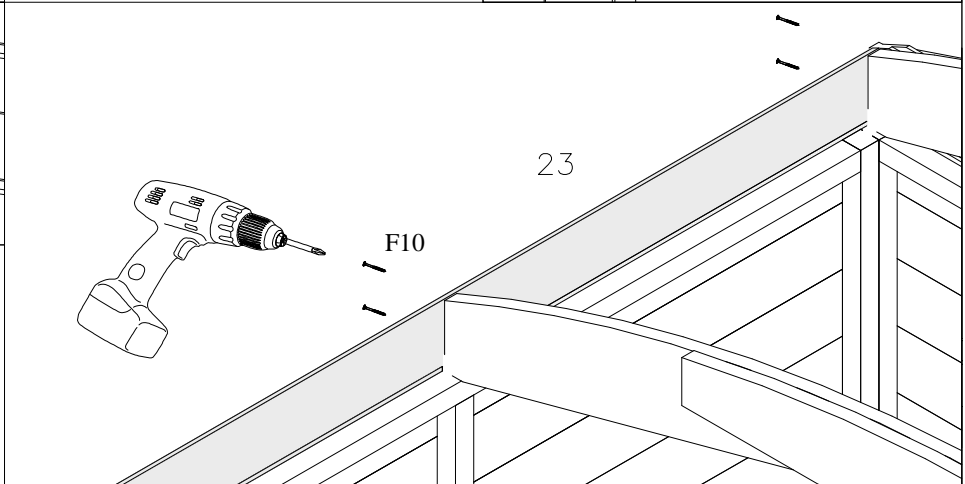
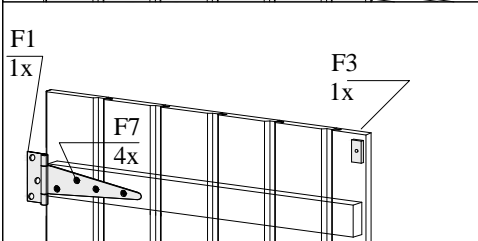
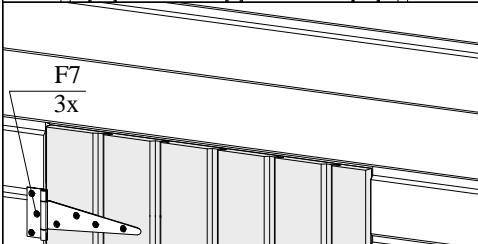
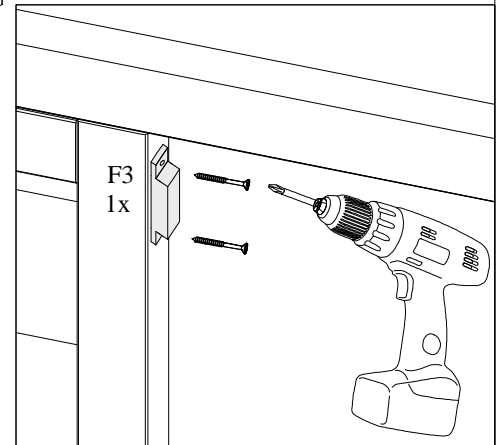
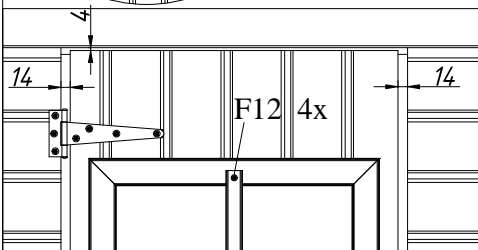
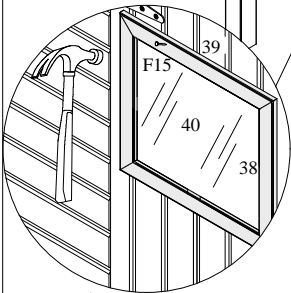
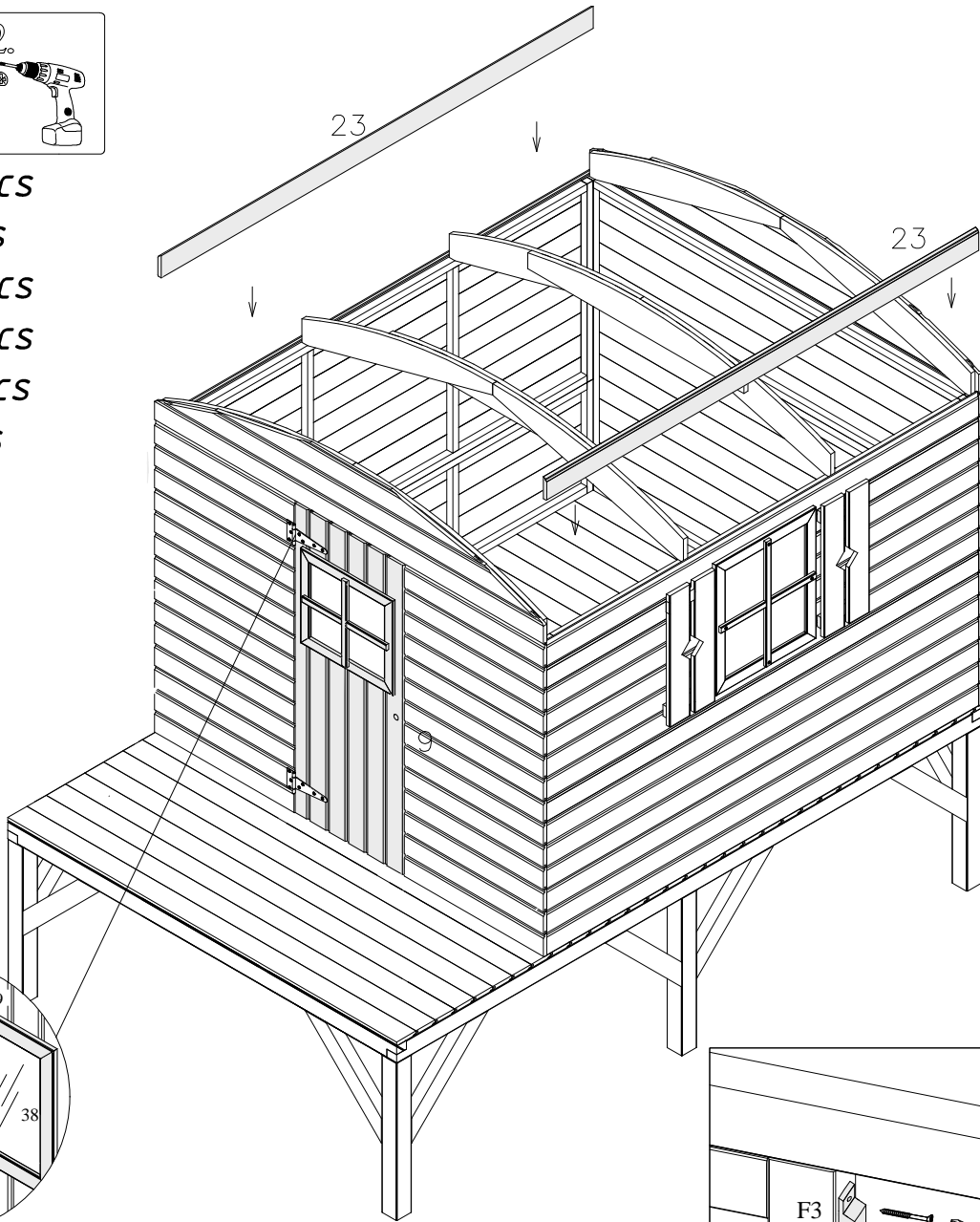
det5-2pcs
det6-2pcs
F5-8pcs
F2-32pcs
F8-8pcs

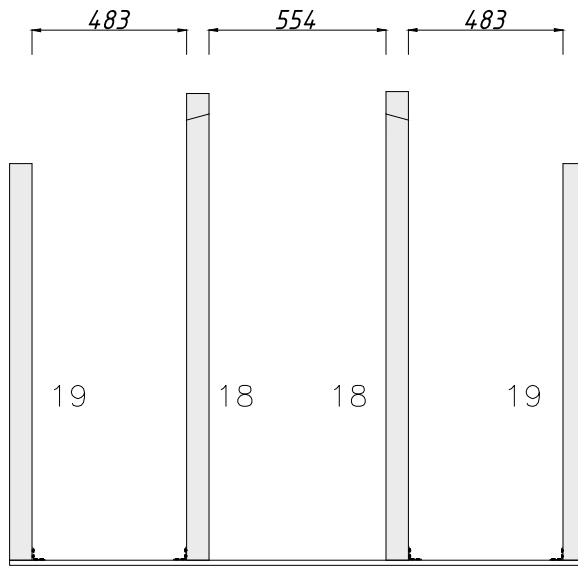
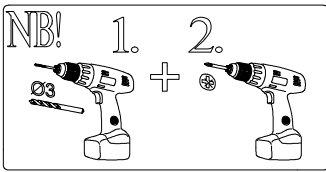
9



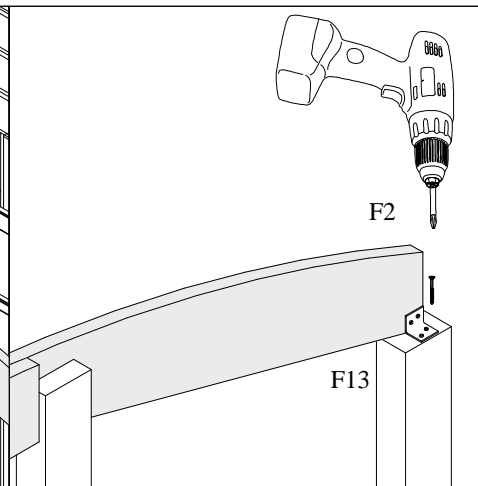
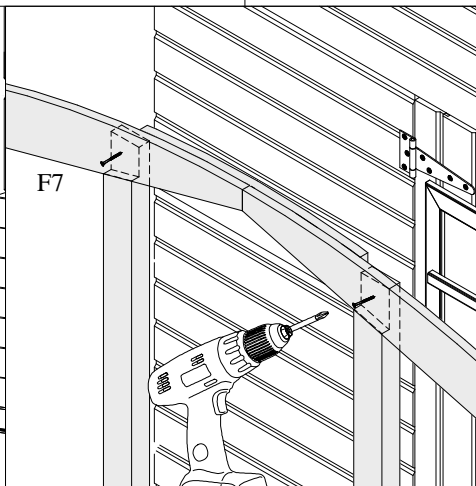
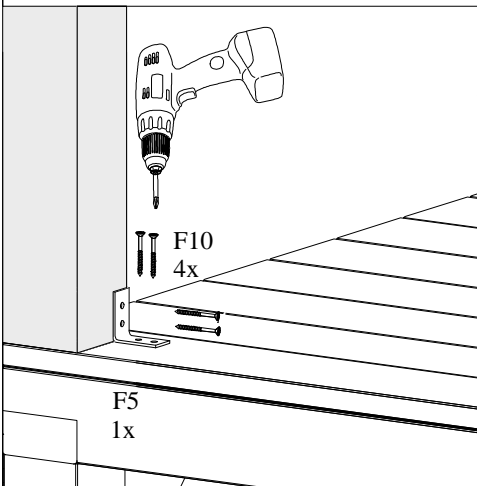
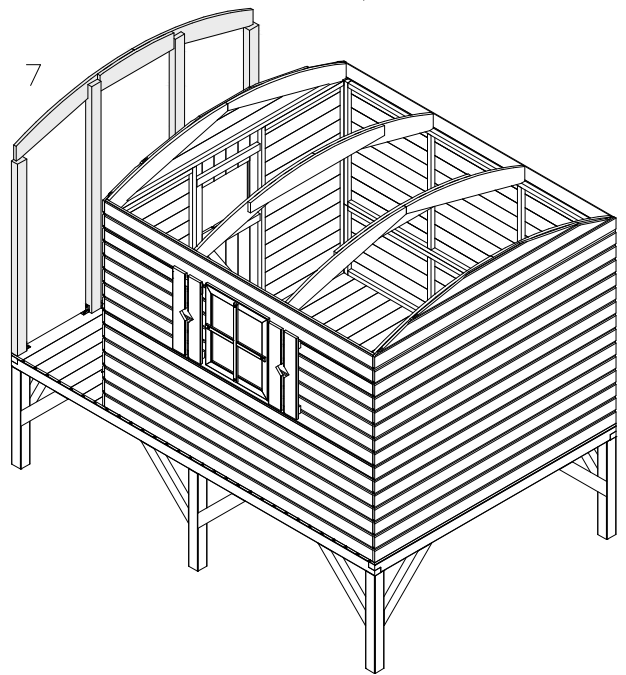
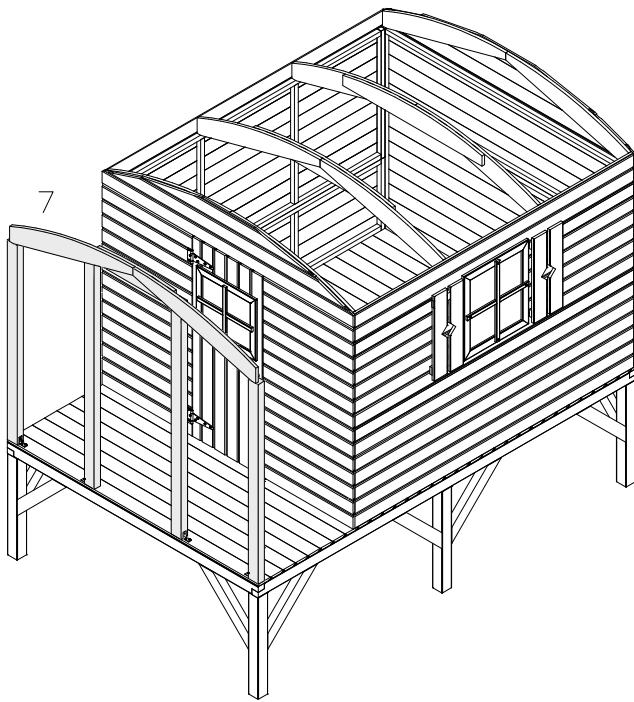


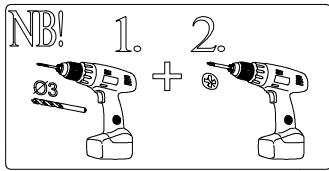
- det23-2pcs
- det9-1pcs
- det38-2pcs
- det39-2pcs
- det40-1pcs
- F10-16pcs
- F1-2pcs
- F7-14pcs
- F3-1pcs
- F12-4pcs
- F15-8pcs





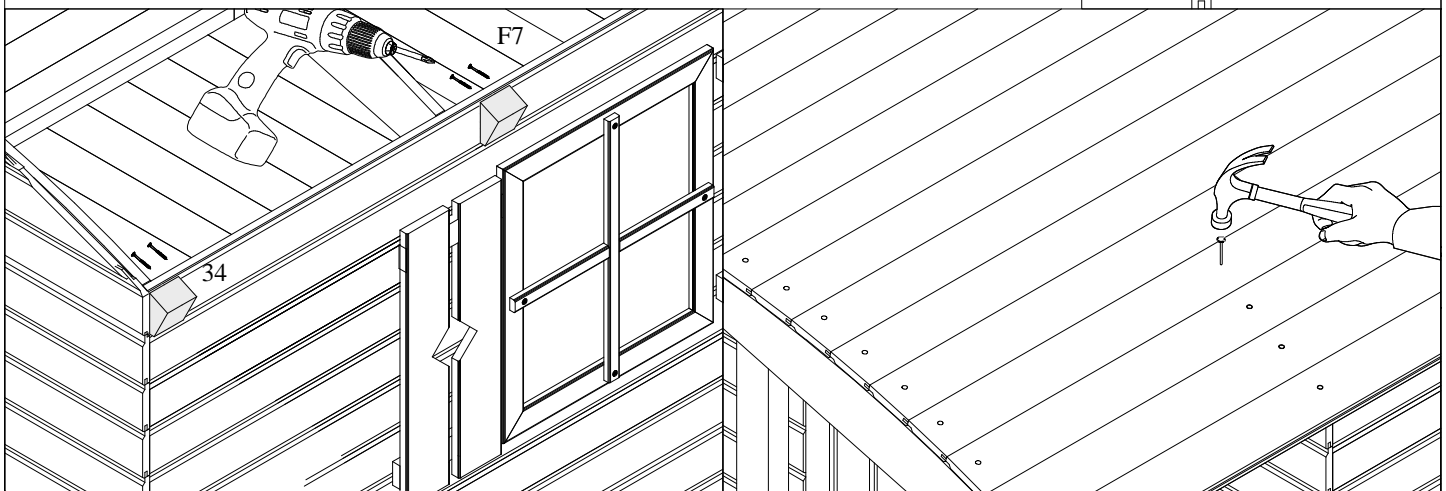
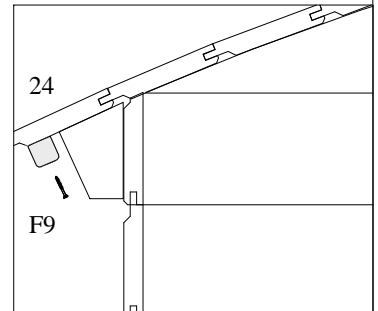
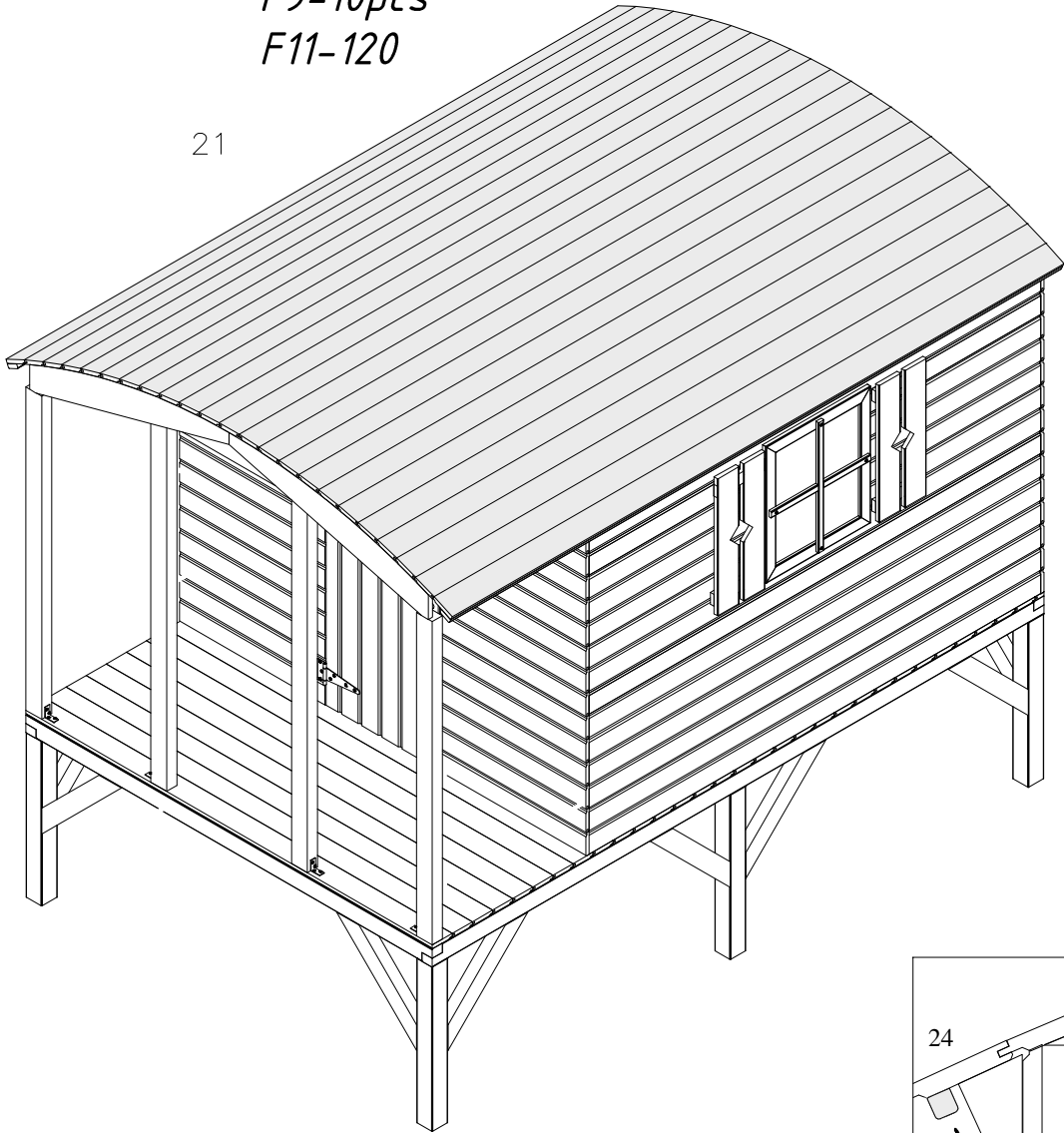
- det 7-1pcs
- det 18-2pcs
- det 19-2pcs
- F2-8pcs
- F5-4pcs
- F7-2pcs
- F10-16pcs
- F13-2pcs

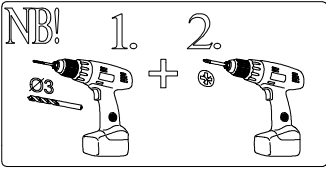




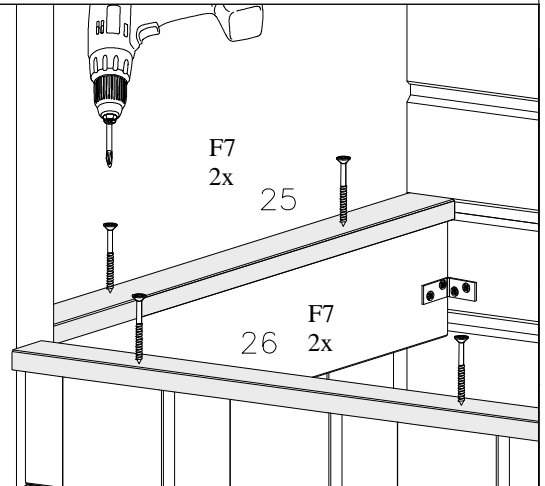
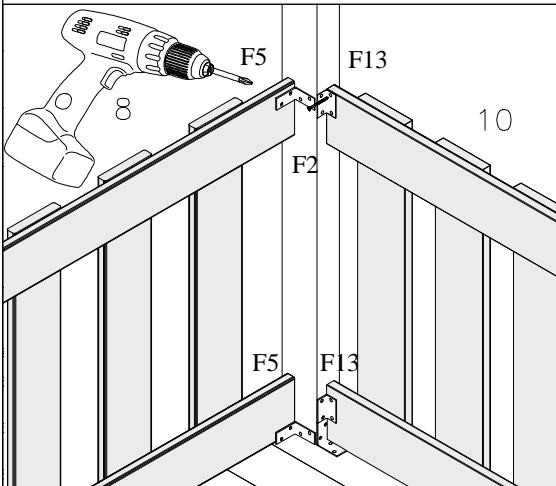
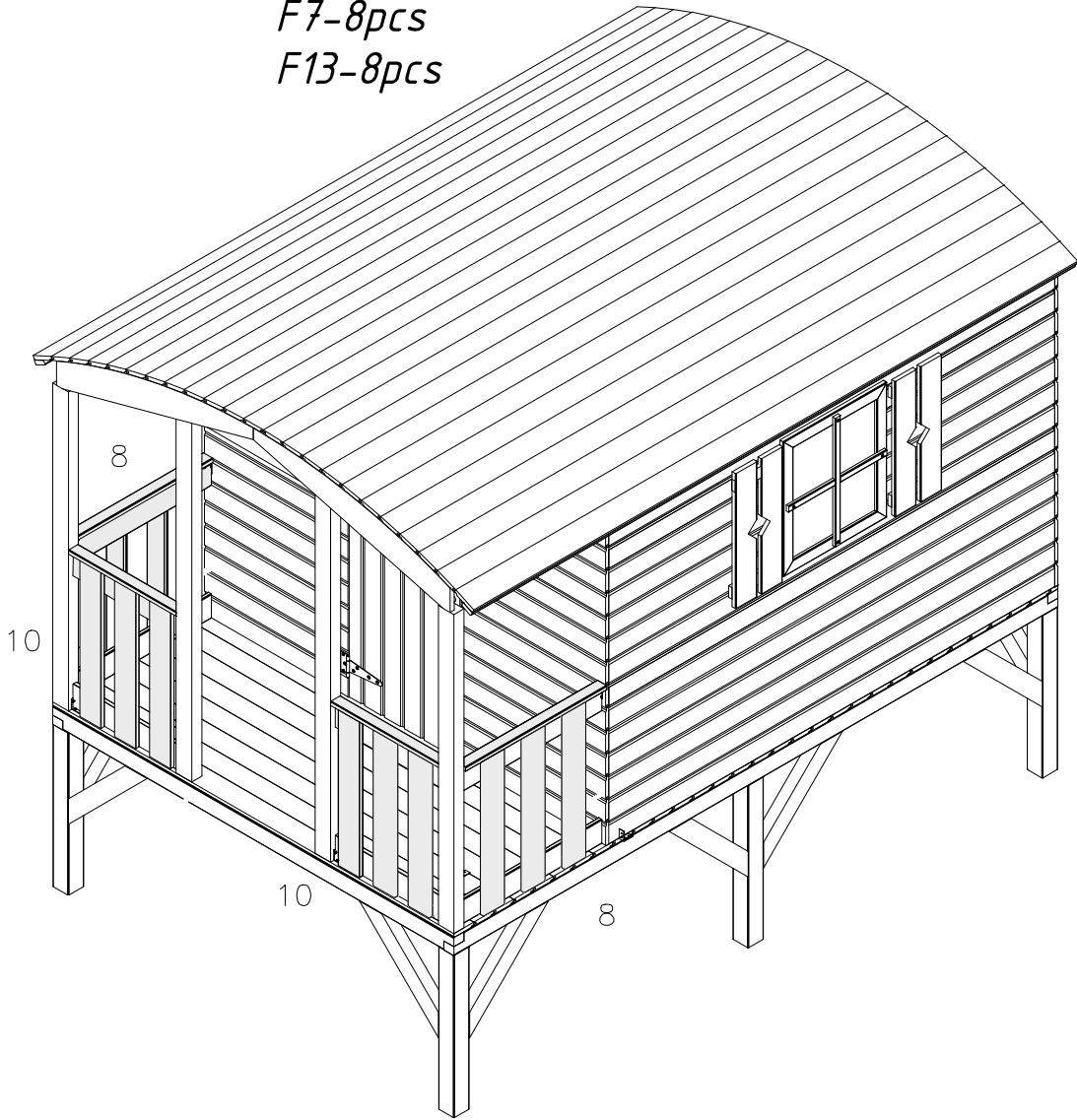
det21-23pcs
det24-2pcs
det34-8pcs
F7-16pcs
F9-10pcs
F11-120

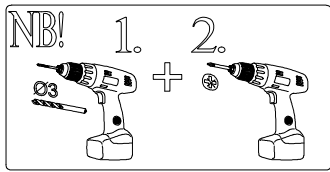
21



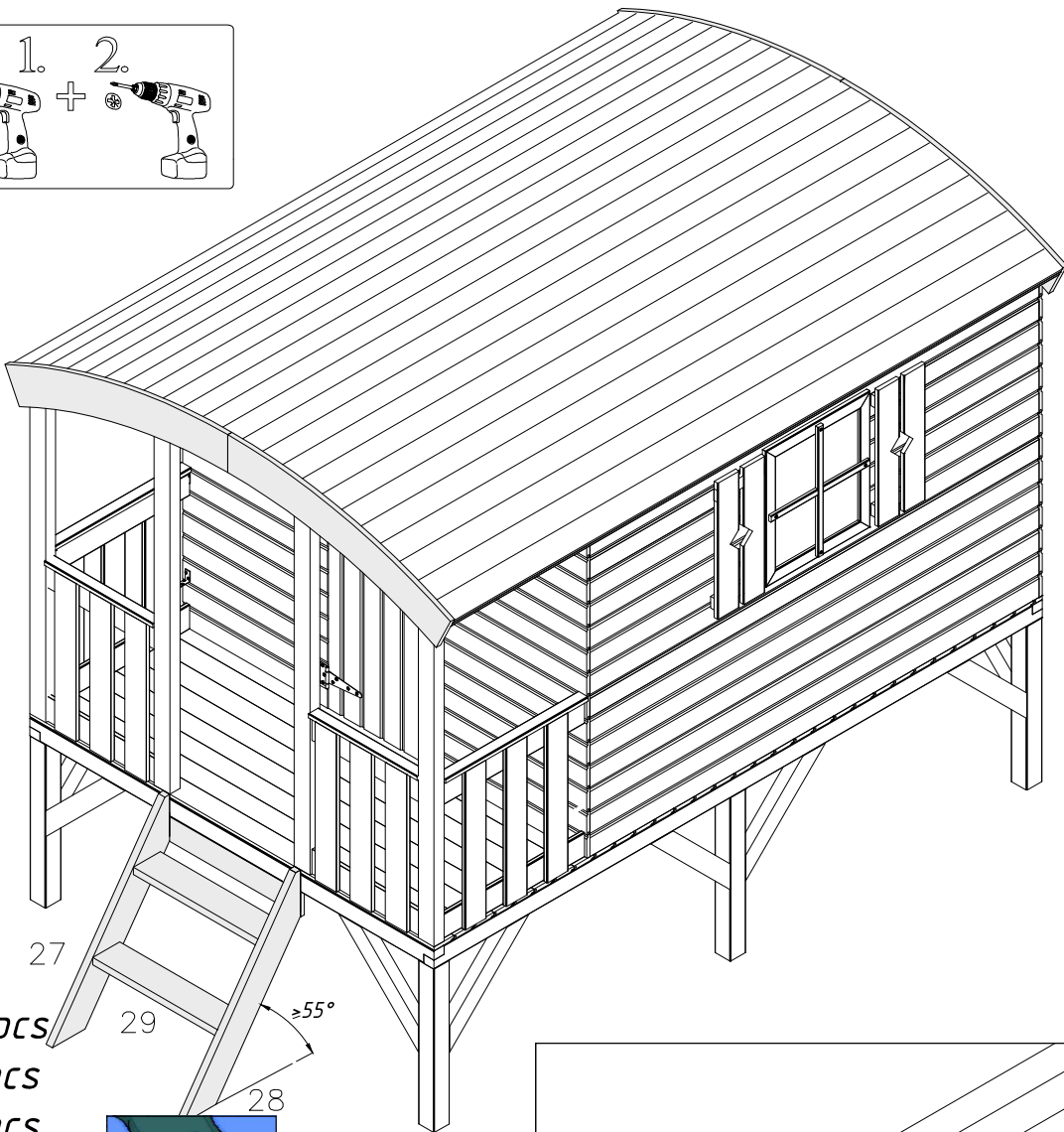


- det8-2pcs
- det10-2pcs
- det25-2pcs
- det26-2pcs
- F2-64pcs
- F5-8pcs
- F7-8pcs
- F13-8pcs





22



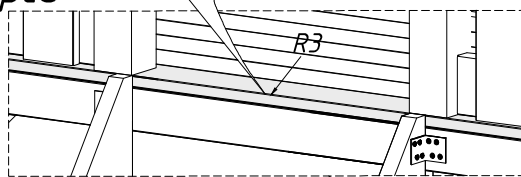
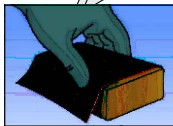
27

29

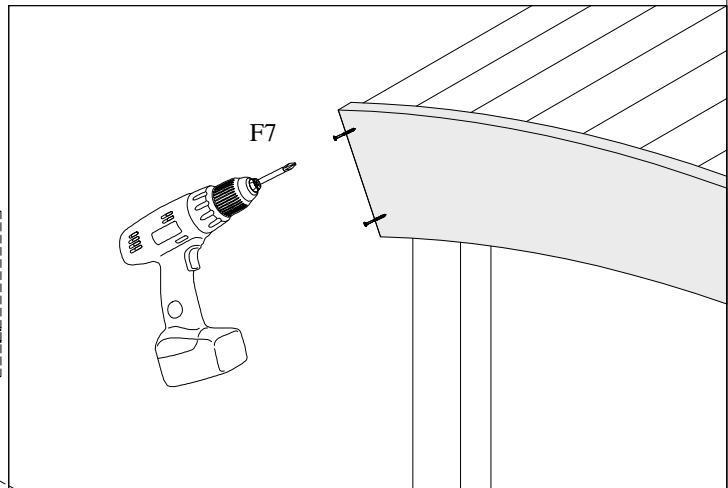
>55°

28

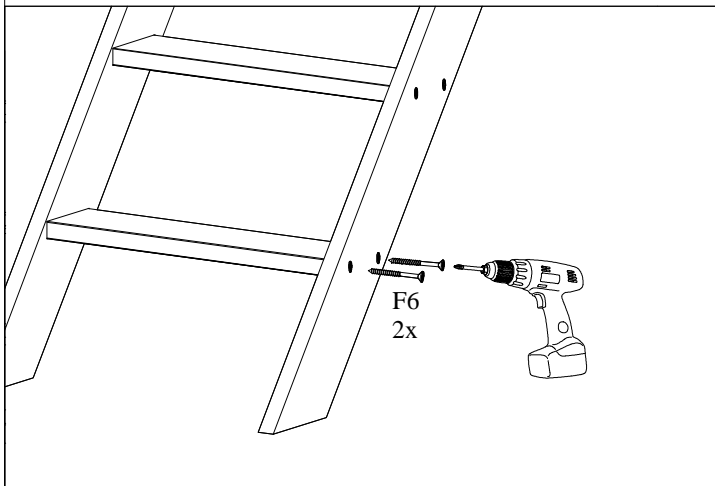
- det22-4pcs
- det27-1pcs
- det28-1pcs
- det29-2pcs
- det29A-1pcs
- F6-8pcs
- F4-2pcs
- F12-8pcs
- F7-24pcs
- F10-12pcs



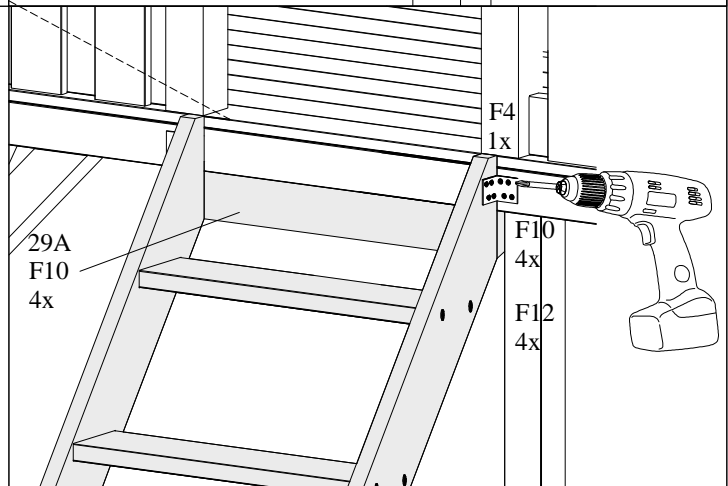
R3



F7



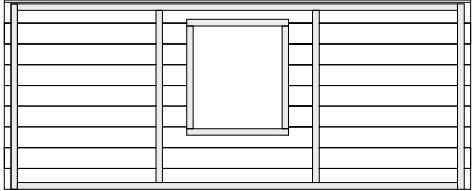
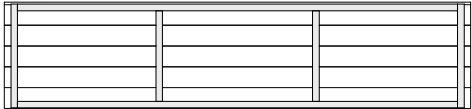
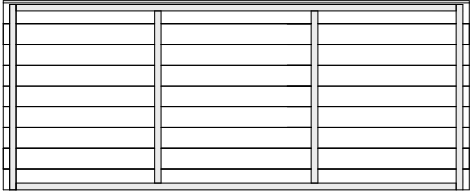
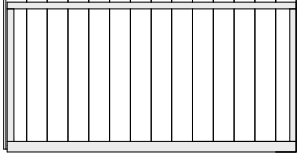
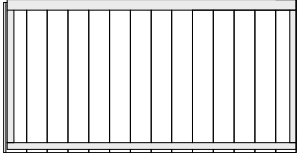
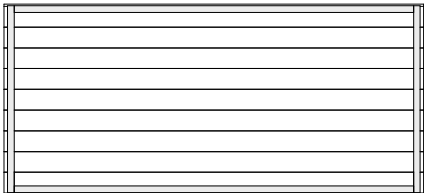
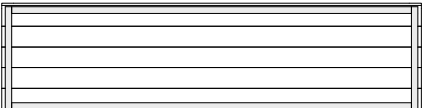
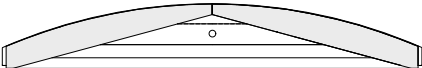

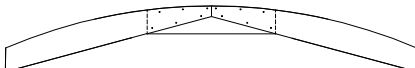
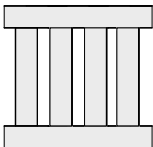
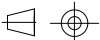
F6
2x

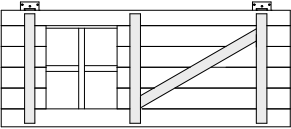
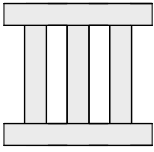





















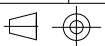
29A
F10
4x







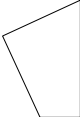









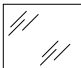
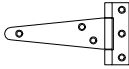


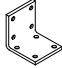
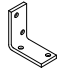
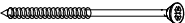


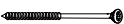



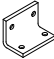
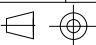
F4
1x



F10
4x
F12
4x

Pos	"ELC16-1827"	Pcs	Profile (mm)	Length (mm)
1A		1	2000x44	811
1B		2	2000x44	455
2		1	2000x44	811
3A		1	1256x44	657
3B		1	1256x44	657
4A		1	1800x44	811
4B		1	1800x44	455
5		2	1766x34	275
6		2	1766x38	275
7		1	1766x38	275
8		2	635x32	610
				

Pos	"ELC16-1827"	Pcs	Profile (mm)	Length (mm)
9		1	1240x41	482
10		2	483x32	610
11		2	525x32	210
12		6	70x70	630
13		2	70x45	2710
14		2	70x45	1800
15		1	70x70	1710
16		2	70x45	1275
17		12	70x45	500
18		2	70x45	1459
19		2	70x45	1240
20		31	89x16	1800
21		23	89x16	2710
22		4	145x19	1017
23		2	89x16	2000
24		2	19x19	2710
25		2	45x16	635
26		2	45x16	483
27		1	120x28	919
28		1	120x28	919
29		2	120x28	565



Pos	"ELC16-1827"	Pcs	Profile (mm)	Length (mm)
29A		1	95x16	611
30		1	24x12	500
31		1	24x12	440
32		1	24x12	344
33		1	24x12	390
34	 	8	75x50	100
35	 	2	29x45	525
36	 	2	29x45	465
37		1	400x460x2	
38	 	2	12x40	380
39	 	2	12x40	427
40		1	385x340x2	
F1		2	80x150	
F2		120	4x16	
F3		1		
F4		16	40x40x40	
F5		22	40x40x20	
F6		46	6x90	
F7		180	3.5x40	
F8		80	4.5x50	
F9		40	3.5x30	
F10		60	3.5x35	
F11		250	2.5x50	
F12		12	3.5x20	
F13		10	20x20x40	
				

Pos	"ELC16-1827"	Pcs	Profile (mm)	Length (mm)
F14		20	1,4x40	
F15		10	1,4x25	
	<p>DE Nicht im Lieferumfang NO Ikke inkludert EN Not included SW Ingår ej ES No incluido FI Ei sisälly pakettiin FR Non inclus ET Ei sisaldu komplektis IT Non incluso CZ Důležité! Součásti hřiště nejsou PT Não incluídos no kit NL Niet inbegrepen in de kit DK Ikke inkluderet i sættet LV Komplektā neietilpst LT Komplekte nėra PL Zestaw nie zawiera</p>	6	70x40x90	

