

Assembly, installation and maintenance manual

Broward Playhouse

Width 180 x Depth 180 cm
Wall thickness 16 mm



WARNINGS:

Not suitable for children under 3 years. Risk of crushing.

To be used under the direct supervision of an adult. Risk of falling.

Only for outdoor domestic use.

Keep away from fire.

The product is supplied disassembled. Adult assembly required.

Intended for children from 3 to 14 years (max 50 kg/user).

Attention!

- It is not allowed to climb on the barriers and roof of the assembled house.
- Caution. Wooden details can contain slight torn grain or sharp ends and edges.
- The product is designed for simultaneous use by up to 6 persons.
- The supplied kit does not include any roof cover material. Before you begin using the house, you must obtain a suitable roof cover material (bitumen shingles or rolls) and install it in accordance with the manufacturer's instructions! It is not recommended to leave the house without a roof cover in the rain or it will void the warranty!
- The product is delivered unfinished.

1 Assembly manual



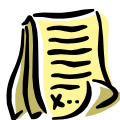
Dear client,

We are glad that you have decided in favour of our garden house!

Please read the assembly manual carefully before proceeding with the house installation! You will thus avoid problems and will not waste time.

Recommendations:

- Keep the house package until its complete assembly in a dry place, but not in direct contact with the ground, protected from weather conditions (moisture, the sun, etc.). Do not keep the house package in a heated room!
- Assemble the product on the smooth surface at least 2m from any construction or barrier such as fence, garage, house, above situated tree branches, clotheslines and electric cables.
- When selecting the garden house location, make sure that the house will not be subjected to extreme weather conditions (areas of strong snowfall or winds); otherwise you should attach the house (for instance, with anchors) to the subsoil.
- Since the foundation joists are in constant contact with the ground they must be treated with a special wood preservative. Consult a specialist regarding paints suitable for unprocessed softwood and follow the paint manufacturer's instructions.



Warranty

Your house is made from high quality fir and delivered in the natural (unprocessed) form. If, despite our thorough inspection, you should have complaints, please submit the filled out control sheet and purchase invoice to the product seller.

ATTENTION: Please be sure to keep the documentation accompanying the house package! The control sheet includes the control number of the house. We can only review complaints if you submit the control number of the house to the seller!

The warranty does not cover:

- Peculiarities of wood as a natural material
- Wooden details already painted (processed with a wood preservative)
- Wooden details containing whole branches that do not endanger the stability of the house
- Colour tone variations caused by wood structure differences that do not influence wood lifetime
- Wooden details containing (caused by drying) small cracks/gaps that do not pass through and do not influence the structure of the house
- Twisted wooden details if they can nevertheless be installed
- Roof and floor boards that may have on their concealed surfaces some non-planed areas, colour differences and waning
- Complaints resulting from an incompetent manner of the installation of the house or the house subsiding due to an incompetently made foundation
- Complaints caused by introducing self-initiative changes to the house, such as the deformation of wooden details and doors/windows due to an incompetent manner of wood processing; the attachment of storm braces too rigidly, doorframes being screwed onto wall logs, etc.

The complaints covered by the warranty are satisfied to the extent of replacing the deficient/faulty material. All other demands will be excluded!



Garden house painting and maintenance

Wood is a natural material, growing and adapting depending on weather conditions. Large and small cracks, colour tone differences and changes, as well as a changing structure of wood are not errors, but a result of wood growing and a peculiarity of wood as a natural material.

Unprocessed wood becomes greyish after having been left untouched for a while, and can be turn blue and become mouldy. To protect the wooden details of your garden house, you must immediately process them with a wood preservative.

Attention! **The house is supplied without elaborative workmanship. To reduce fire hazard you should use paints or impregnation substances that prevent fire from spreading! Use water-based paints and impregnation substances and avoid solvent-based products!**

Consult a specialist regarding paints suitable for unprocessed softwood and follow the paint manufacturer's instructions.

It is not allowed to cover the product with lacquer or paint on which surface the flame spread rate is higher than 20mm/s.

When painting, use high quality tools and paints, follow the paint application manual and manufacturer's safety and usage instructions. Never paint a surface in strong sunlight or rainy weather.

After the house assembly is completed, we recommend for the conclusive finishing a weather protection paint that will protect wood from moisture and UV radiation.

- In lengthy periods of dry weather wood can shrink and the screw/bolt spots attachments can become weak. Conduct regular checks and tighten the screws/bolts as necessary (no less frequently than 6 month)! Otherwise the product may become dangerous.
- The suitability of the base material, corrosion of accessories and rotting of wooden parts should be checked once a year. Moving parts must be oiled and worn and/or defective parts should be replaced with parts provided by the manufacturer.
- Be especially attentive when checking barrier and door attachments.
- It is recommended to inspect the house thoroughly once in a year. Regular painting of the house will prolong its useful life substantially.
- You should also check the condition of the roof to discover any leaks as early as possible. Eliminate leaks as you find them to prevent rainwater from damaging the roof and other wooden parts of the house.

Attention! **For repairing the product use only identical details. The specification of the components can be found from the documentation accompanying the house package.**



We wish you total success with the garden house installation and much joy with this house for many years to come!

2 Installation manual

Tools and preparation of components

To assemble the garden house, you will need the following tools:



assembly aid



ladder



hammer



water-level



screwdriver



saw



knife



measuring tape



pliers



set of drill



file



adjustable spanner



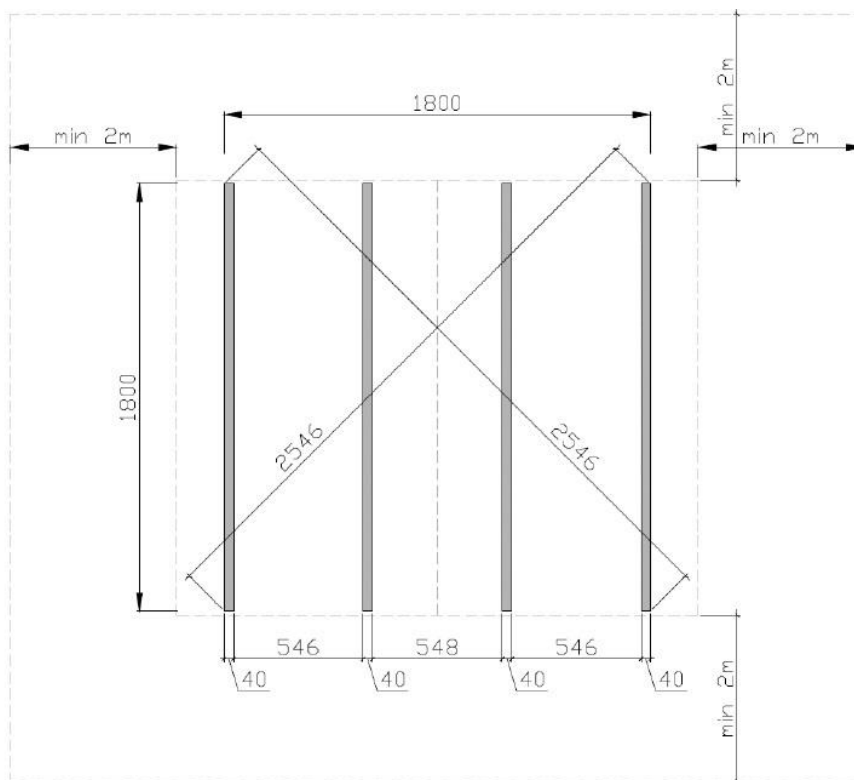
pencil

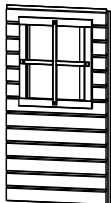
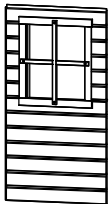
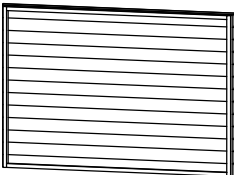
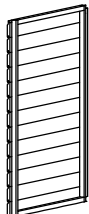
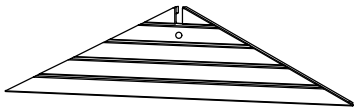
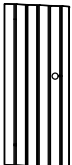
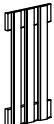

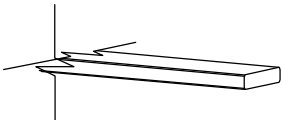
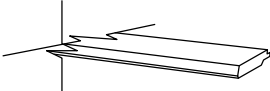
ADVICE: To avoid possible injuries from splinters, we recommend to wear the corresponding protective gloves during the assembly process. To protect your eyes from sawdust, we recommend to wear protective glasses during the assembly process.

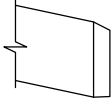
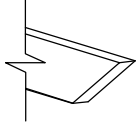
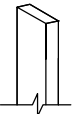

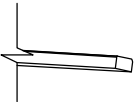
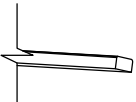
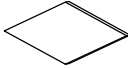
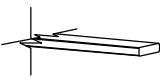
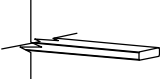
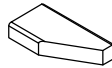
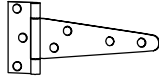


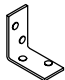


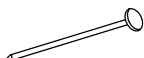
Before screwing, please drill hole in order to avoid cracks in the wood.

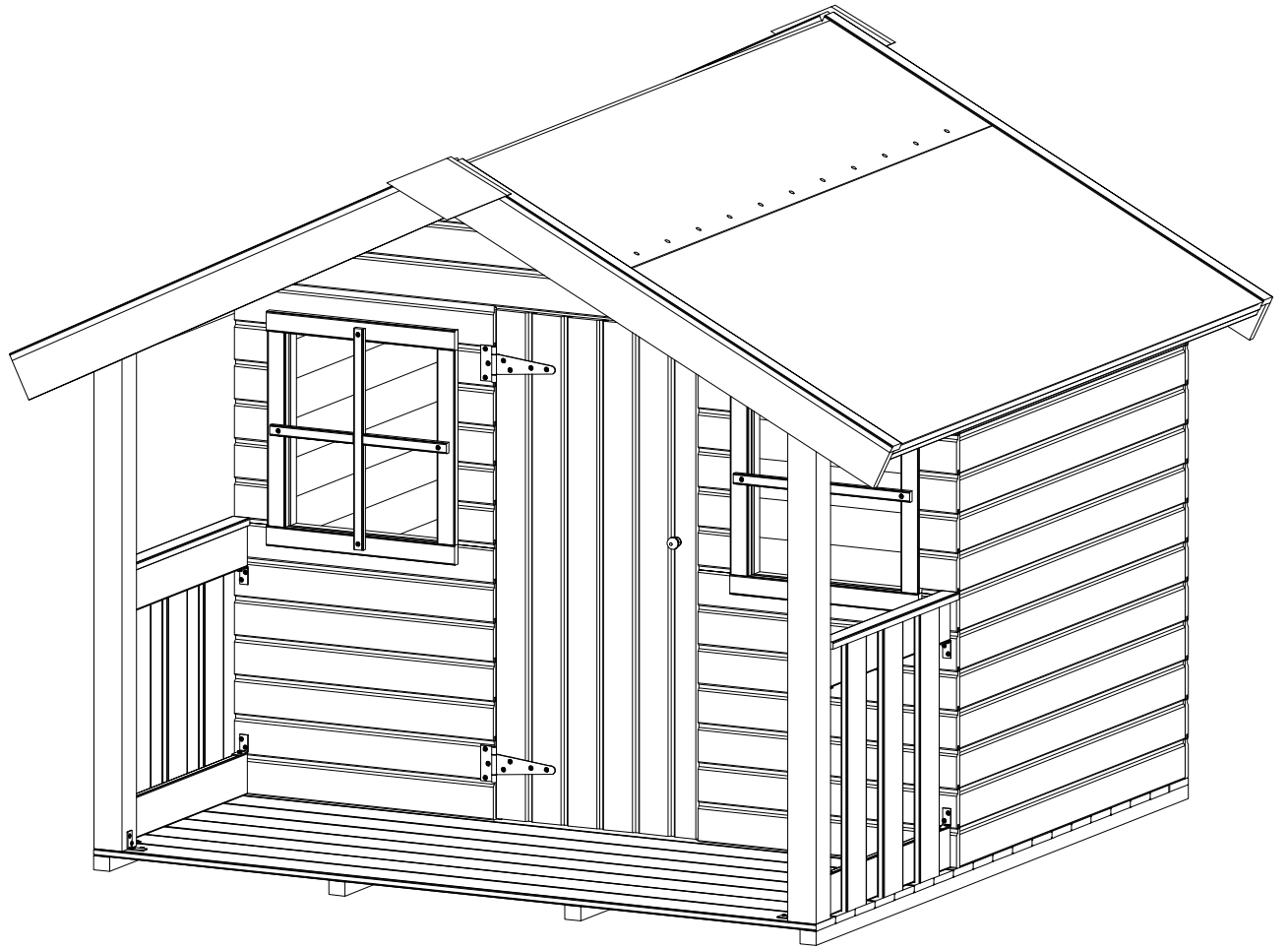
All projecting screws and sharp edges must be panned smooth immediately after installation to avoid potential injuries.

Level the ground and install the foundation joists according to the drawing below:



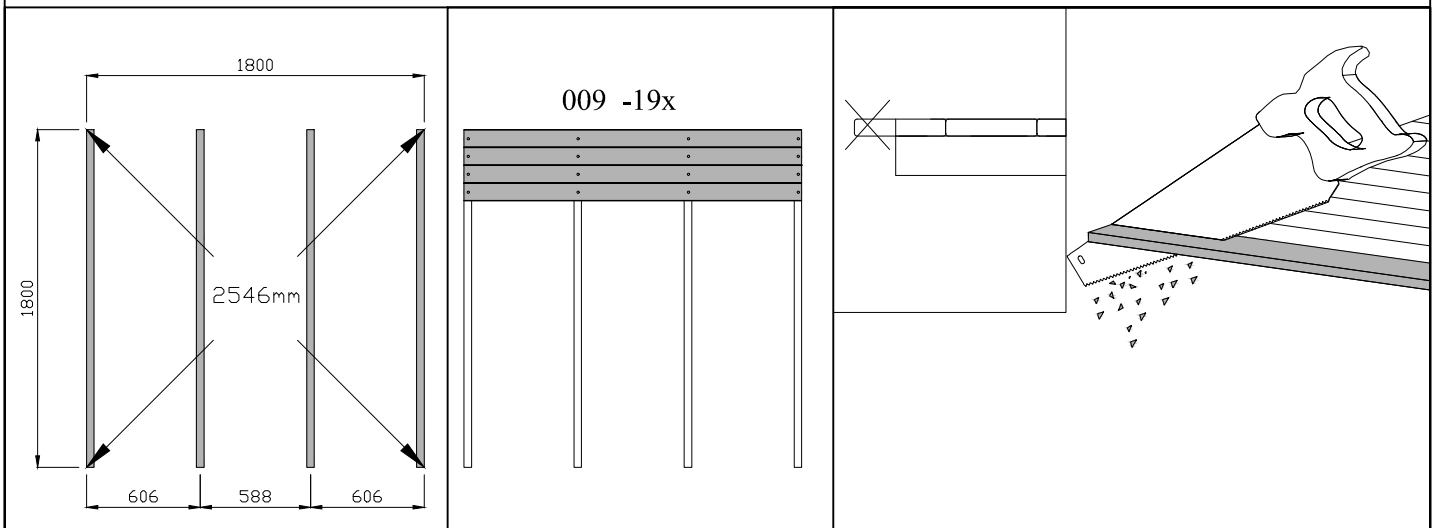
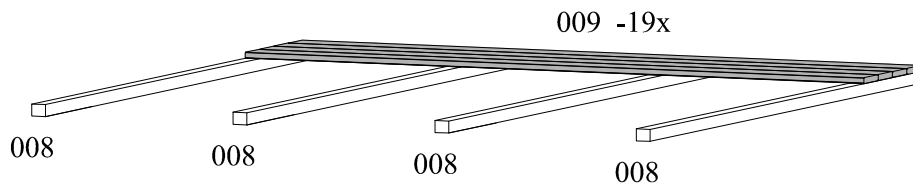
001.		1167x645x44	1
002.		1167x645x44	1
003.		1800x1167x44	1
004.		1090x1170x44	2
005.		1800x448x44	2
006.		1150x482x41	1
007.		610x610x32	2
008.		32x40x1800	4
009.		16x95x1800	19
010.		16x89x1190	42

011.		19x80x1800	4
012.		16x95x1220	4
013.		70x70x1200	2
014.		16x45x1220	4
015.		16x45x1800	2
016.		16x45x610	2
017.		19x120x266	2
018.		12x24x500	2
019.		12x24x440	2
020.		16x45x90	1
F1		80x150	2
F2		3x16	38
F3		46x15x13	1
F4		40x40x20	10
F5		4.5x50	56
F6		3.5x30	72
F7		2.5x50	160

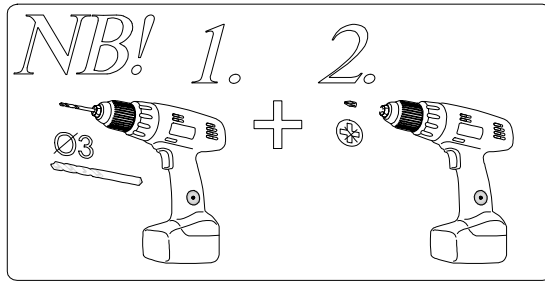


ELD16-1818

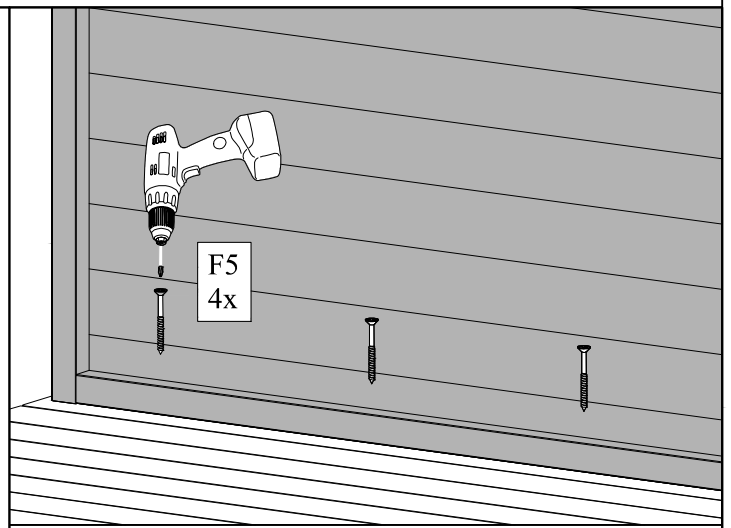
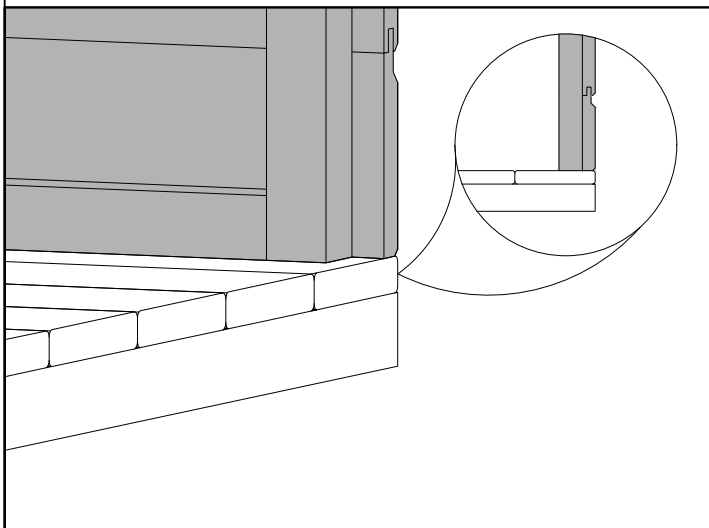
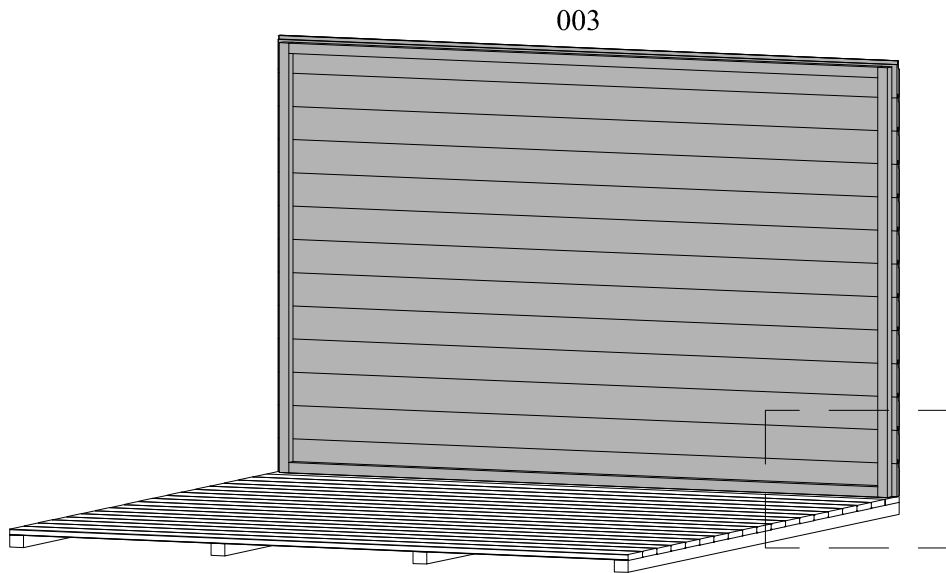
Det 008 - 4
Det 009 - 19
F7 - 76



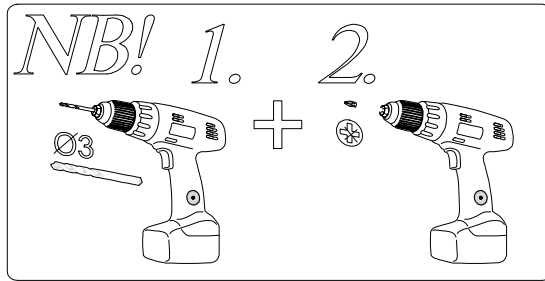
Det 003 - 1
F5 - 4



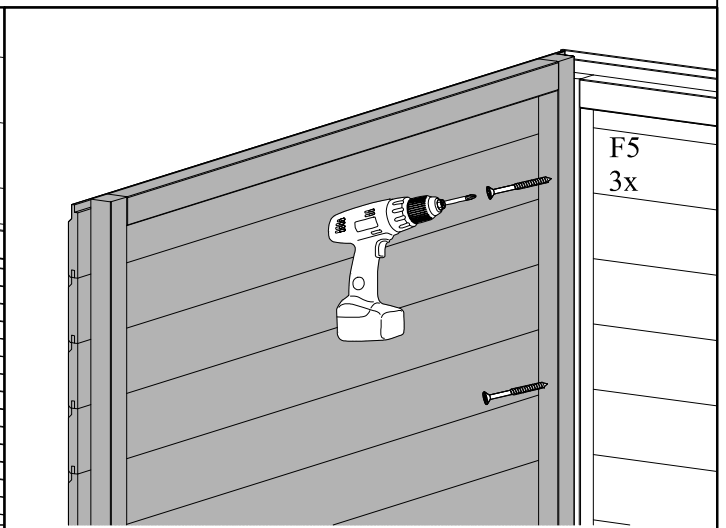
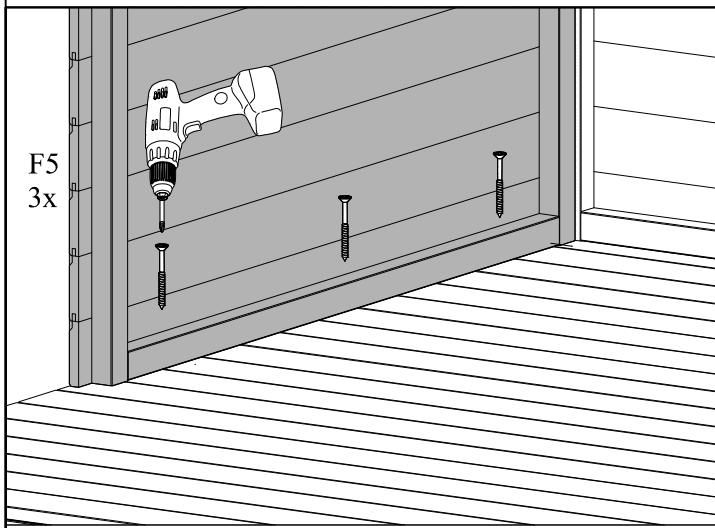
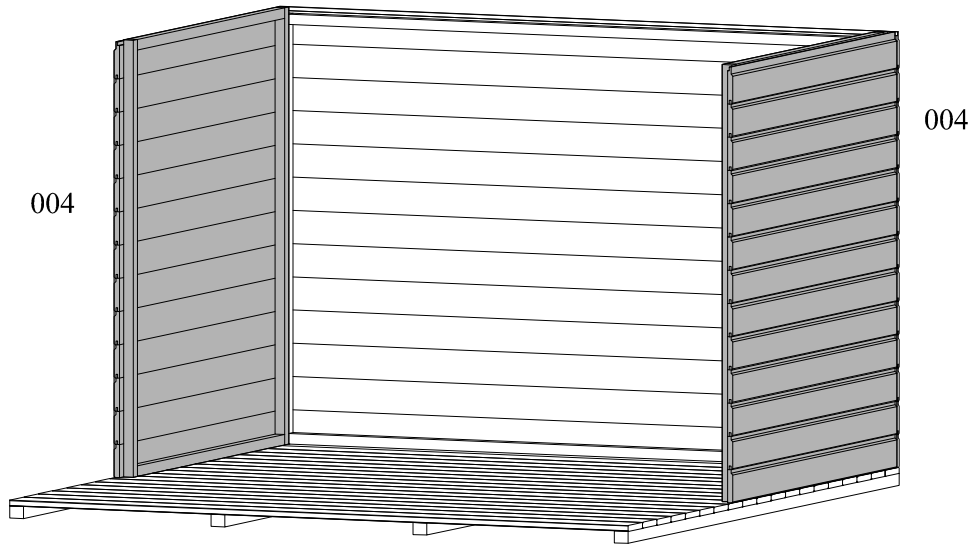
2



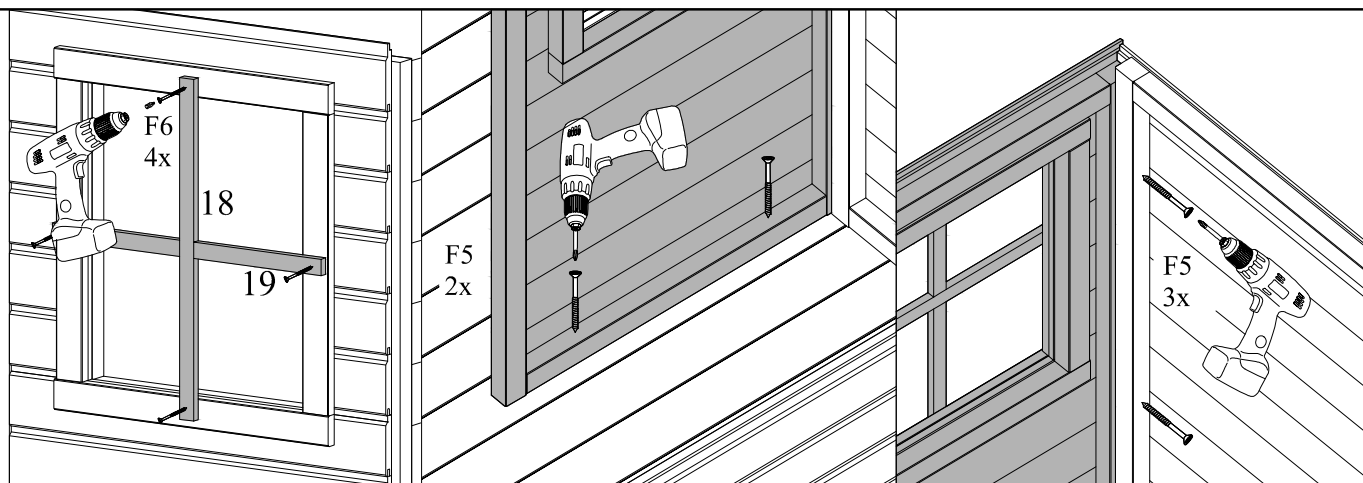
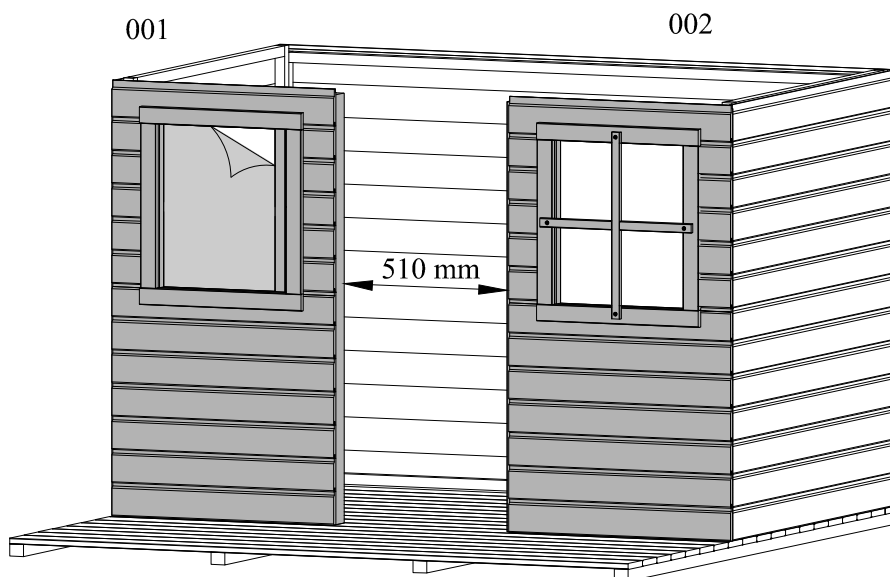
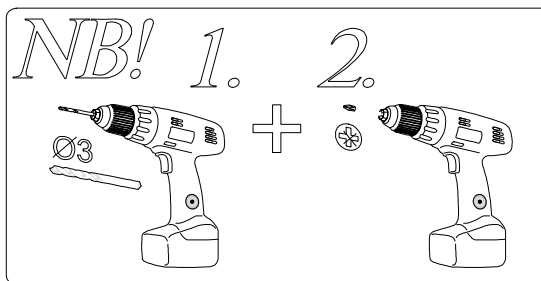
Det 004 - 2
F5 - 12



3



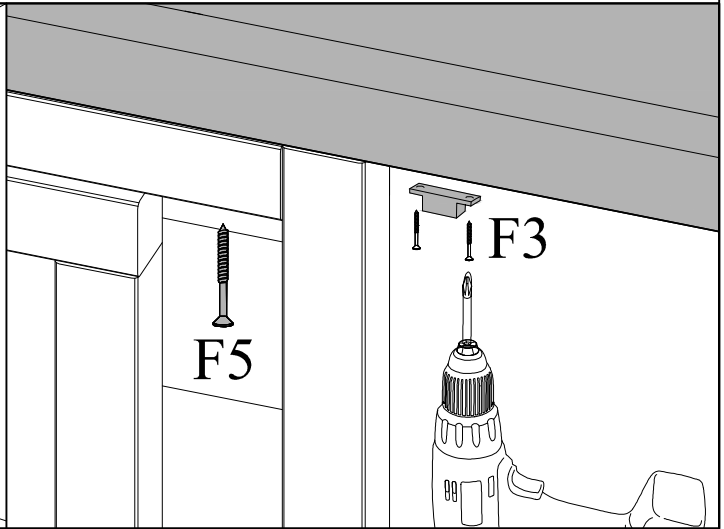
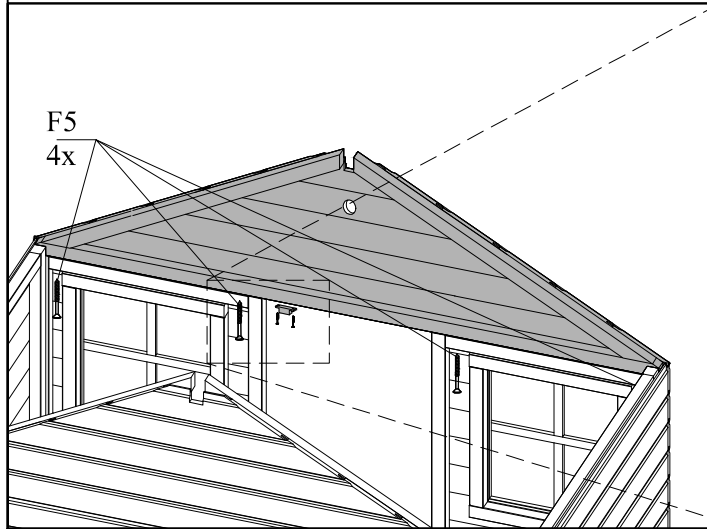
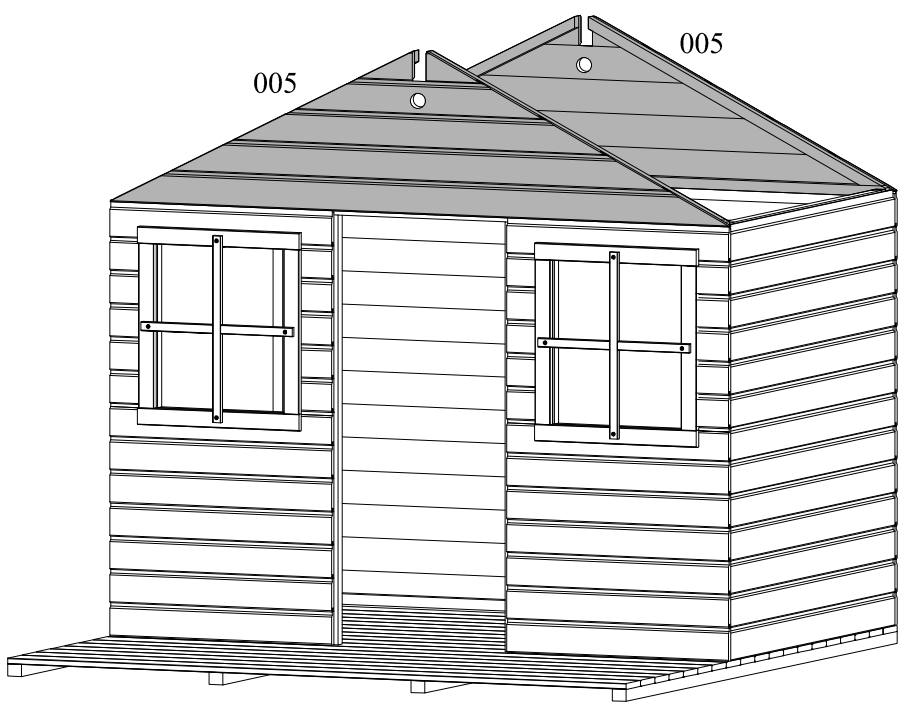
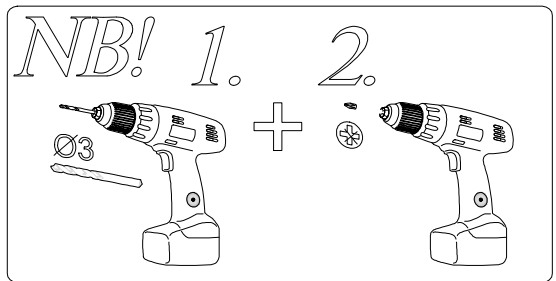
- Det 001 - 1
- Det 002 - 1
- Det 018 - 2
- Det 019 - 2
- F5 - 10
- F6 - 8



Det 005 - 2

F5 - 8

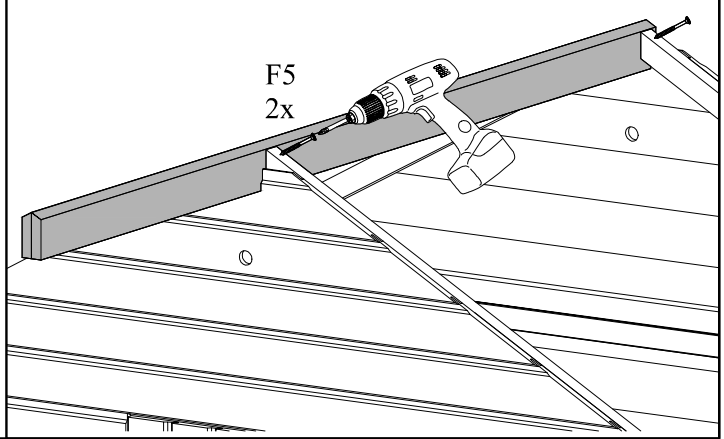
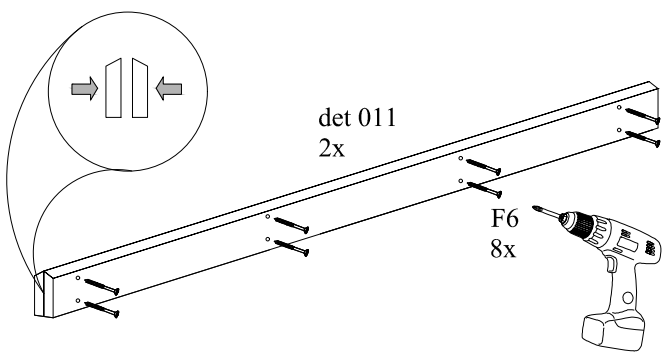
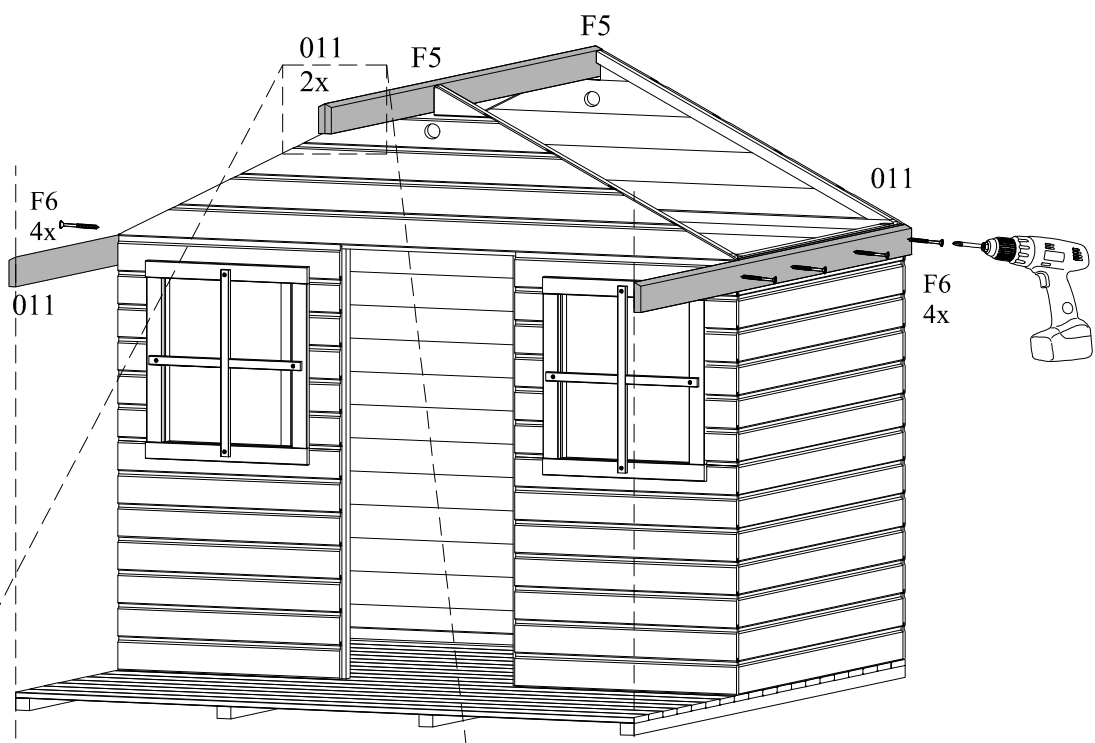
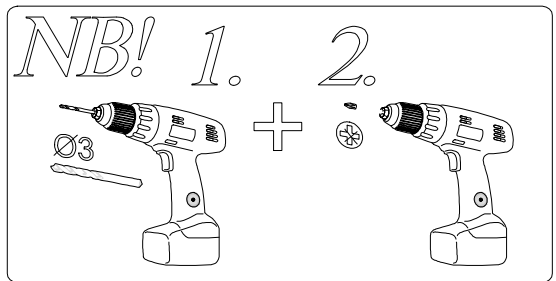
F3 - 1



Det 011 - 4

F6 - 16

F5 - 2



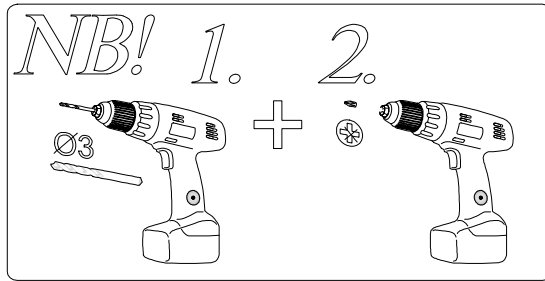
Det 013 -2

F2 - 4

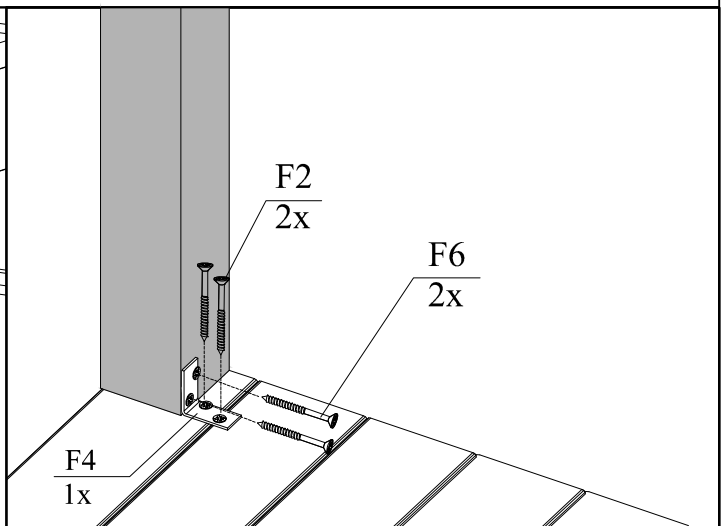
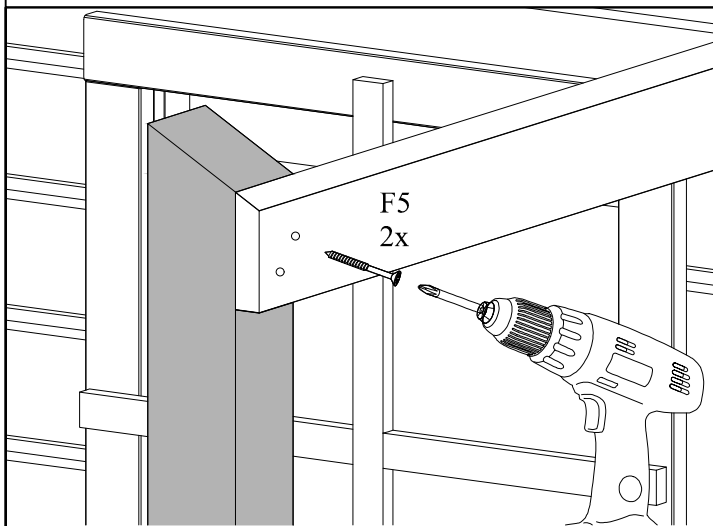
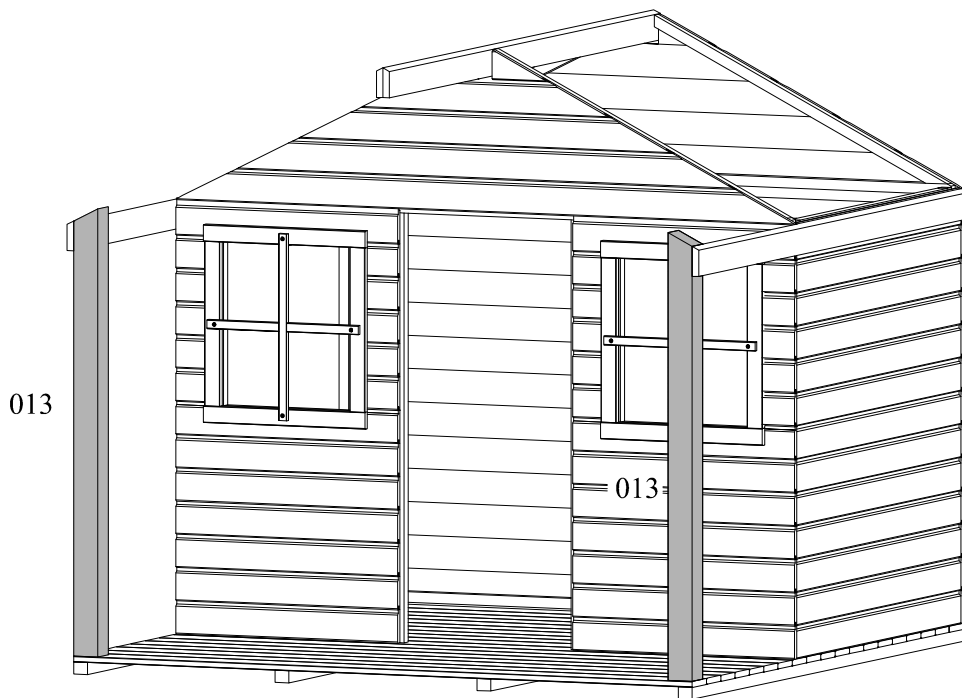
F4 - 2

F6 - 4

F5 - 4



7



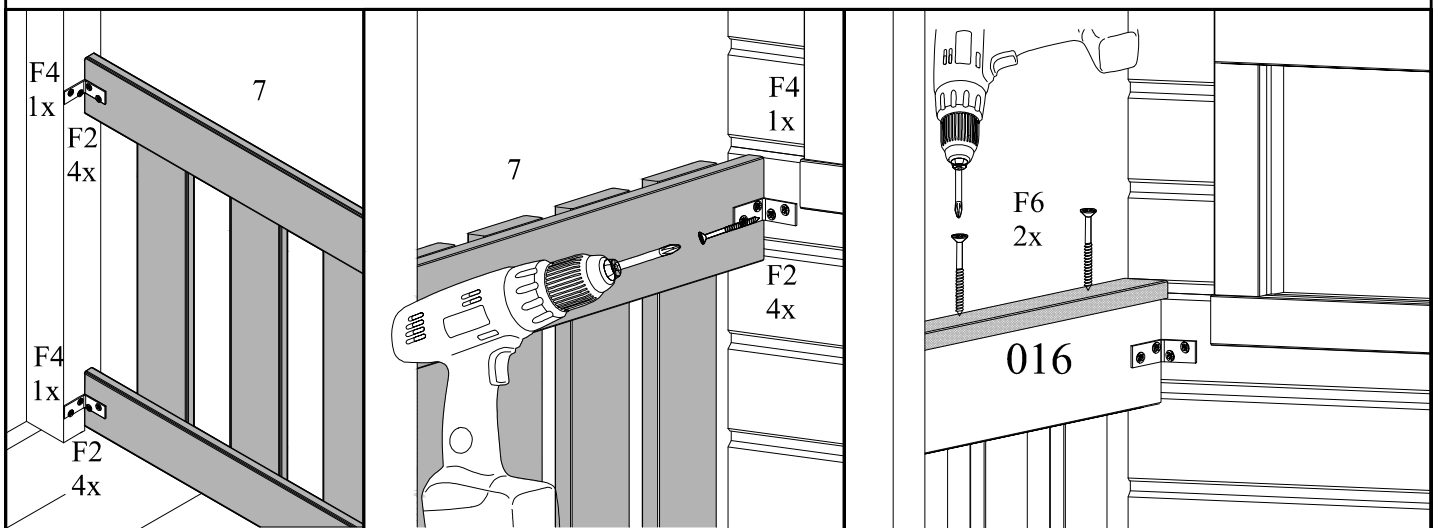
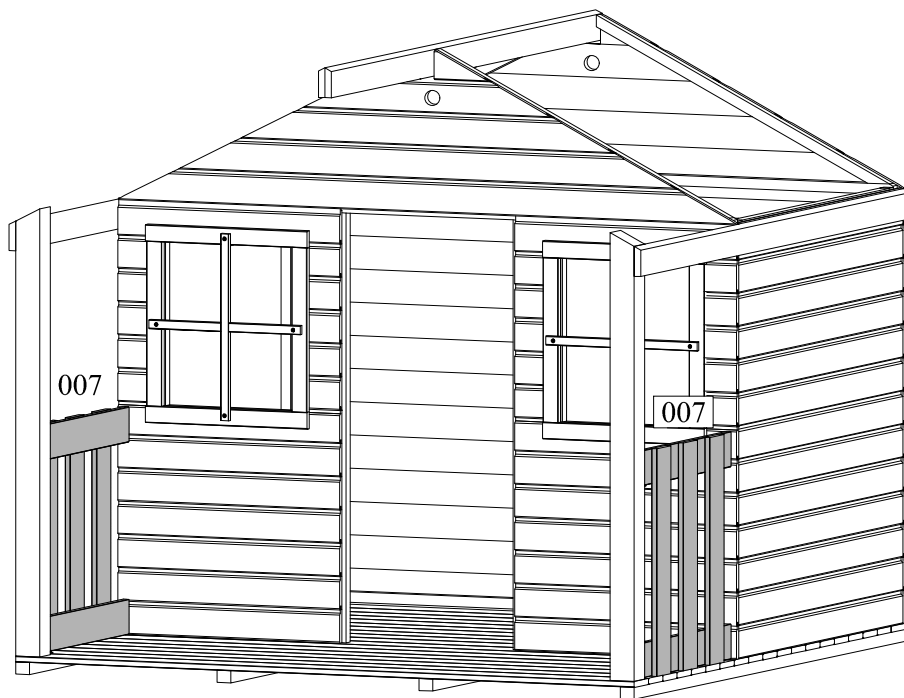
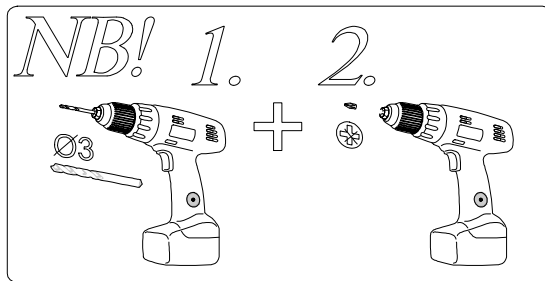
Det 007 - 2

Det 016 - 2

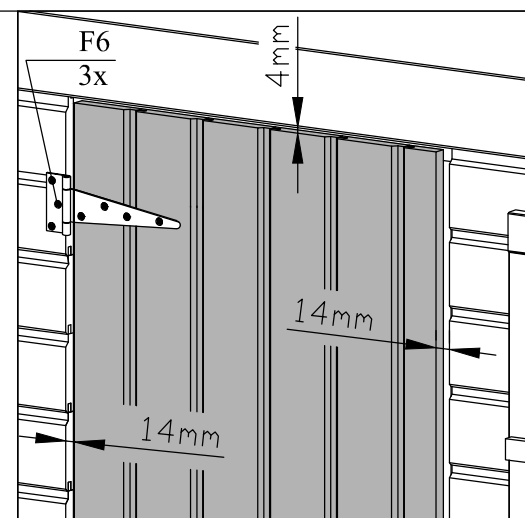
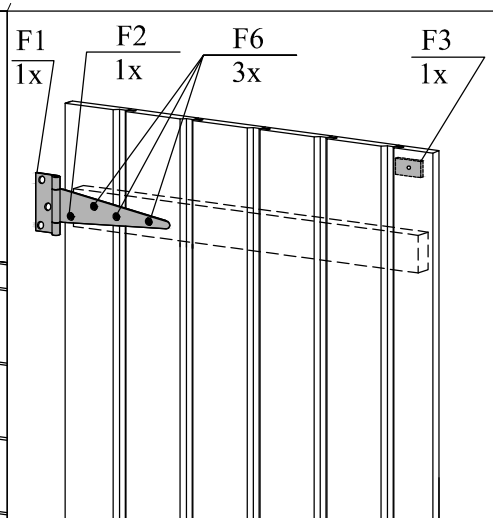
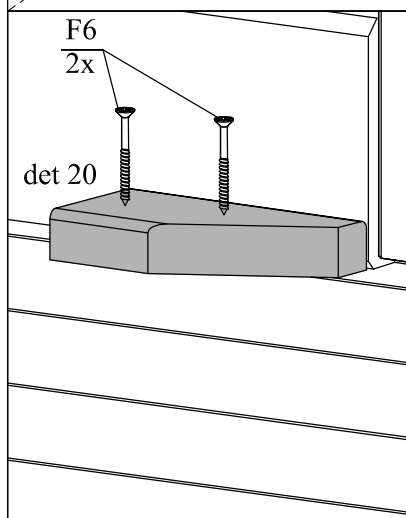
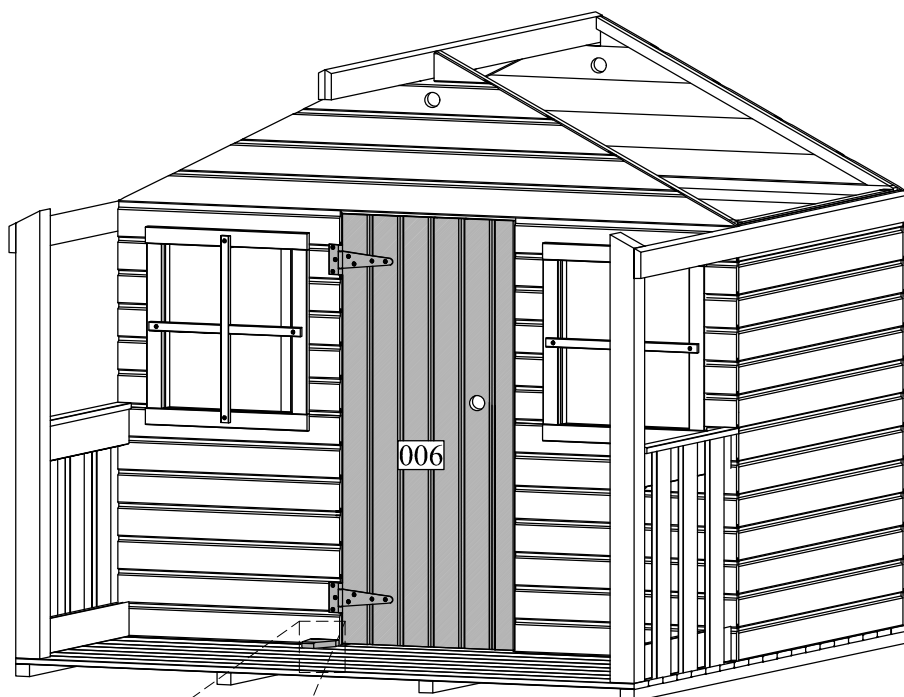
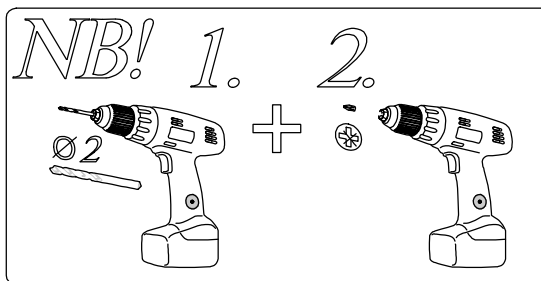
F4 - 8

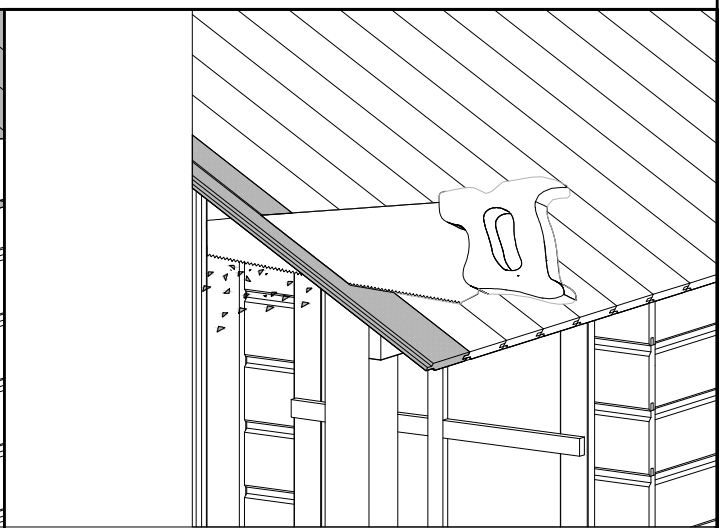
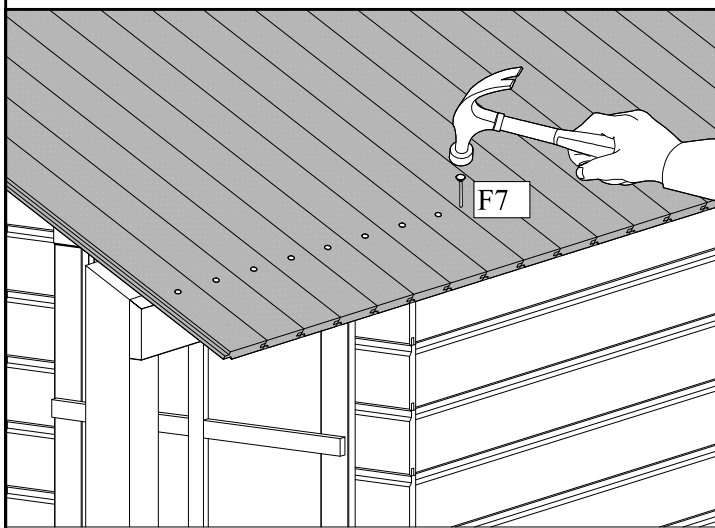
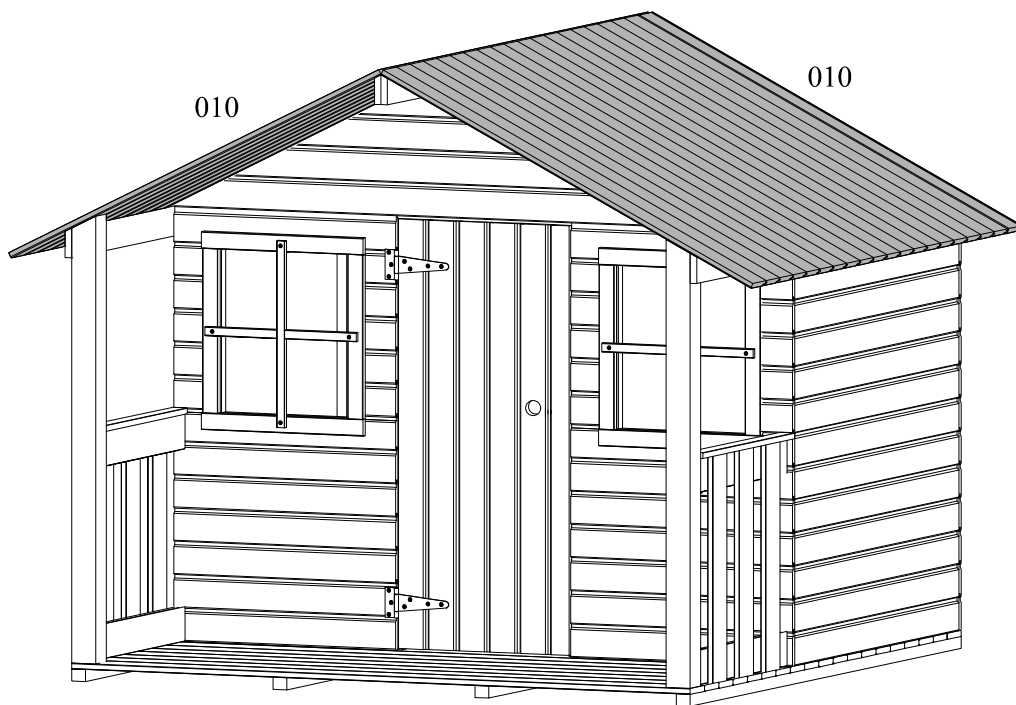
F2 - 32

F6 - 4



- Det 006 - 1
- Det 020 - 1
- F1 - 2
- F2 - 2
- F3 - 1
- F6 - 14





DE Dachpappe nicht im Lieferumfang!

EN Roofing felt not included!

ES Material de cubierta no incluido!

FR Toiture se sentait pas inclus!

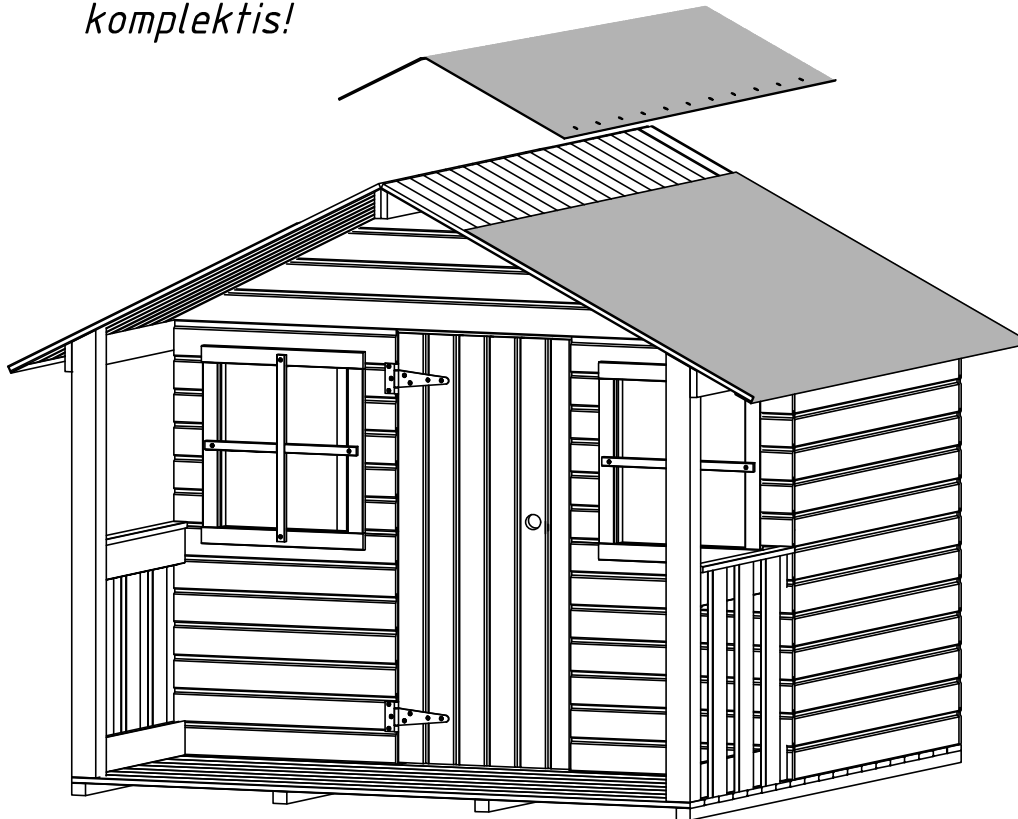
IT Copertura non si sentiva incluso!

NO Takdekke ikke inkludert!

SW Takpapp ingår ej!

FI Kattohuopa ei sisälly pakettiin!

*ET Katusekattematerjal ei sisaldu
komplektis!*



NL - Dakvilt is niet inbegrepen in het pakket!

LT - Stogo tolis į komplektą neįtrauktas!

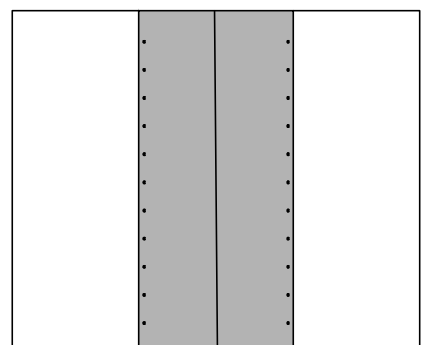
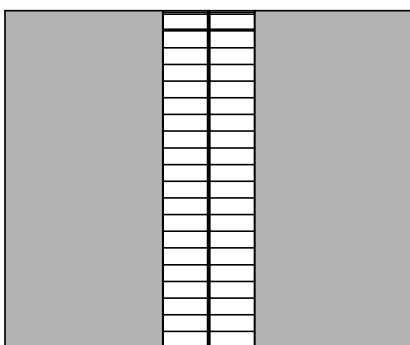
LV - Jumta pape komplektā nav iekļauta!

PL - Okładzina dachowa nie wchodzi w skład

PT - O feltro para o telhado não está incluído no conjunto!

DK - Tagmateriale medfølger ikke!

CZ - Krytinová rohož není zahrnuta v sadě!



- Det 012 - 4
- Det 014 - 5
- Det 015 - 2
- Det 017 - 2
- F5 - 16
- F6 - 24

